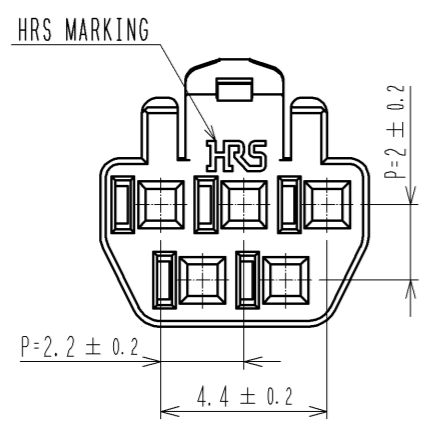
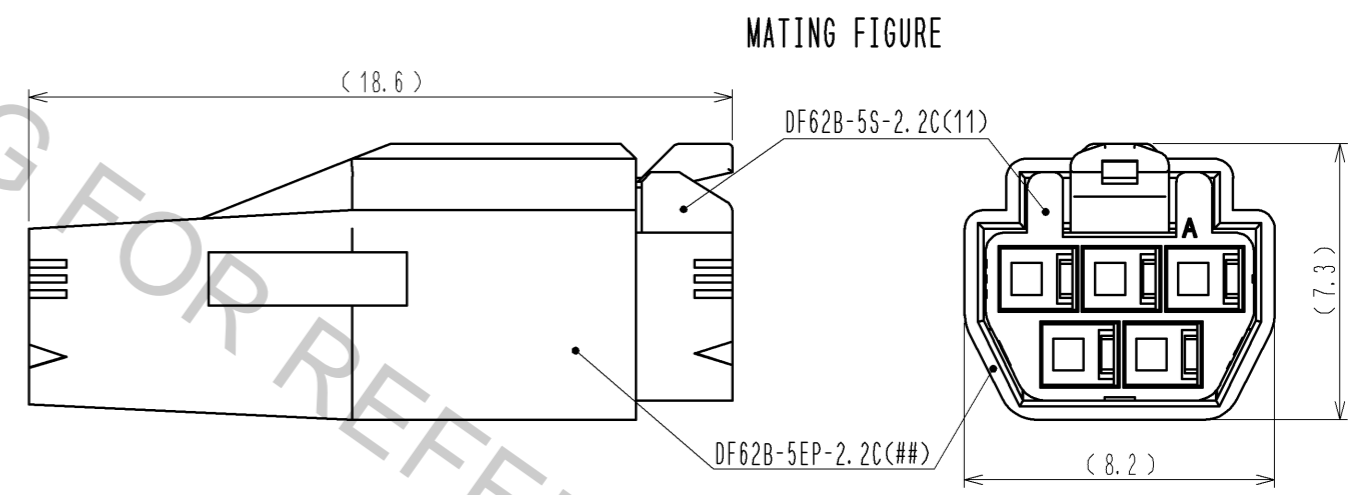
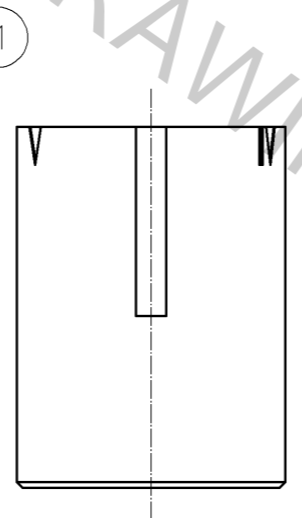
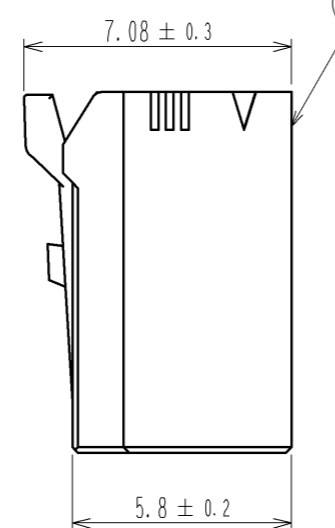
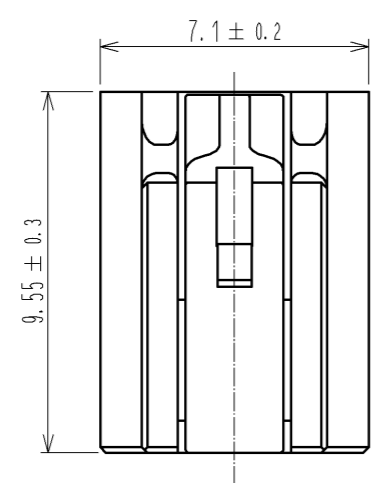
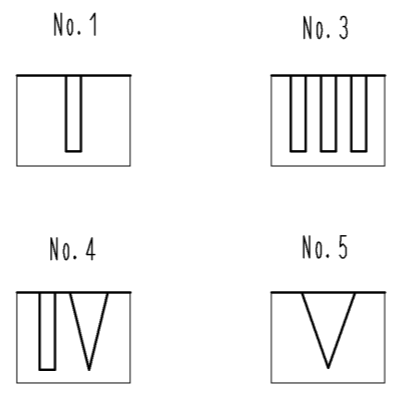
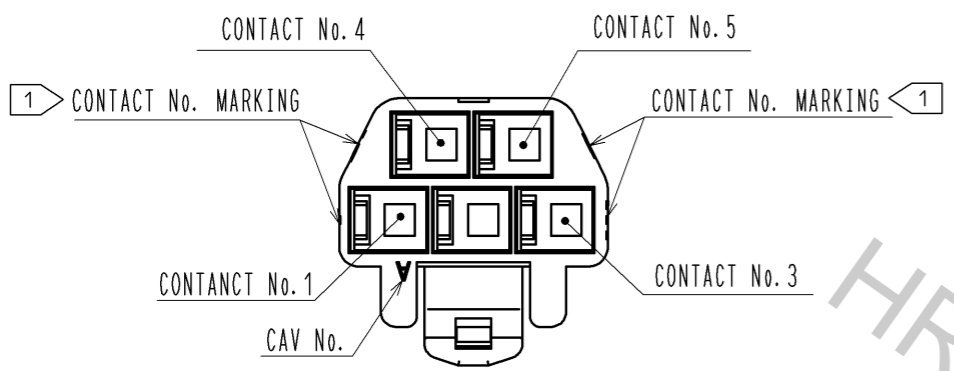


Apr.1.2017 Copyright 2017 HIROSE ELECTRIC CO., LTD. All Rights Reserved.

1 FIGURE-1 CONTACT No. MARKING (10:1)



NOTE. 1 MARKINGS AT THE INDICATED POSITIONS ARE CONTACT NO. MARKING. AND SHAPES ARE SHOWN IN FIGURE-1.
 2. PER PACK : 100 PIECES.
 3. THE DIMENSIONS IN PARENTHESIS ARE FOR REFERENCE.

NO.		MATERIAL		FINISH . REMARKS		1		PBT		UL94V-0 (BLACK)			
UNITS		SCALE		COUNT		DESCRIPTION OF REVISIONS		DESIGNED		CHECKED		DATE	
mm		5 : 1		△									
HIROSE ELECTRIC CO., LTD.		APPROVED : KI. AKIYAMA		13. 09. 11		DRAWING NO.		EDC3-351959-01					
		CHECKED : OM. MIYAMOTO		13. 09. 11		PART NO.		DF62B-5S-2. 2C(11)					
		DESIGNED : TH. YOSHIZAWA		13. 09. 11		CODE NO.		CL544-0554-8-11					
		DRAWN : MI. SAKIMURA		13. 09. 06									