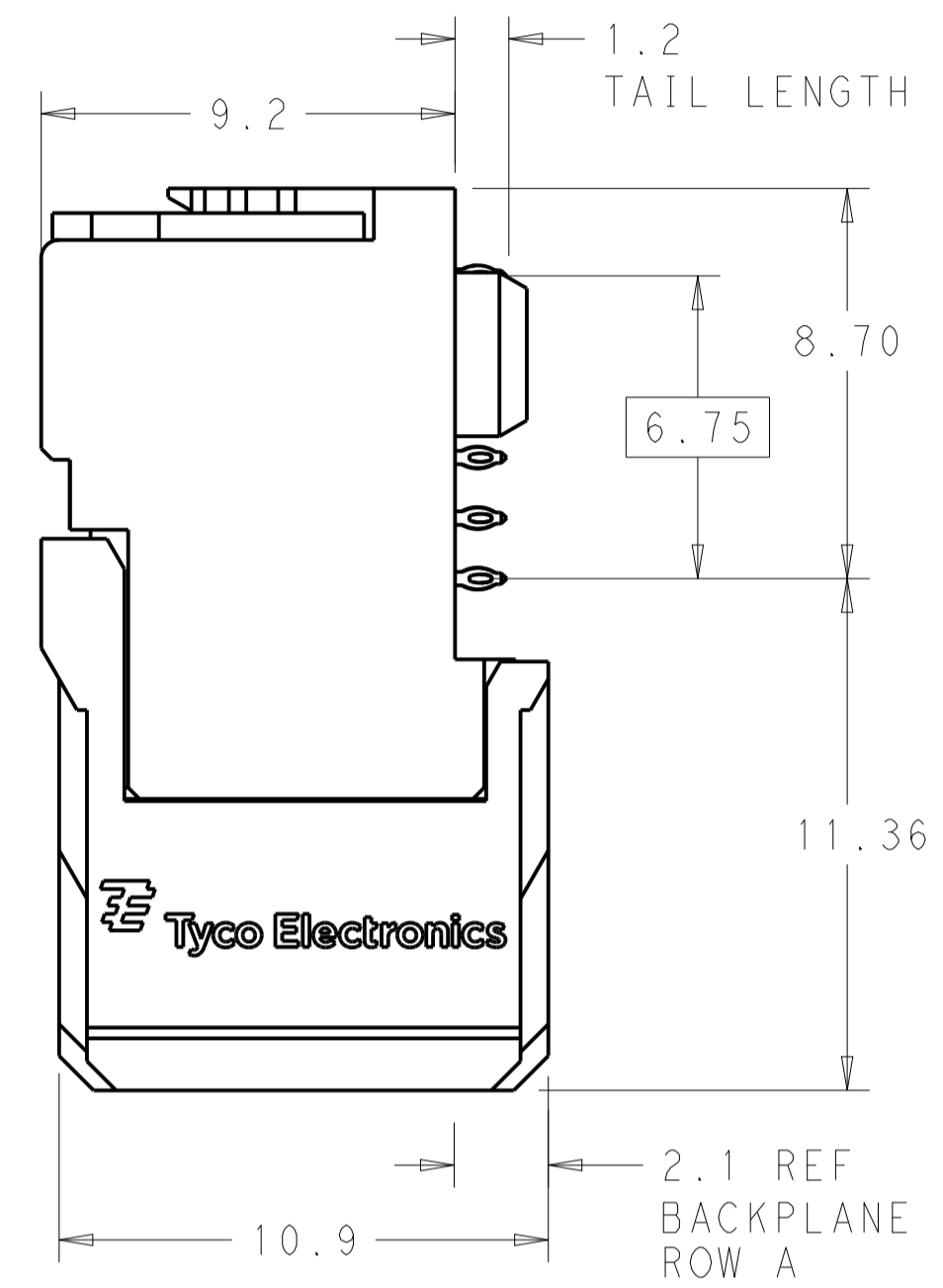
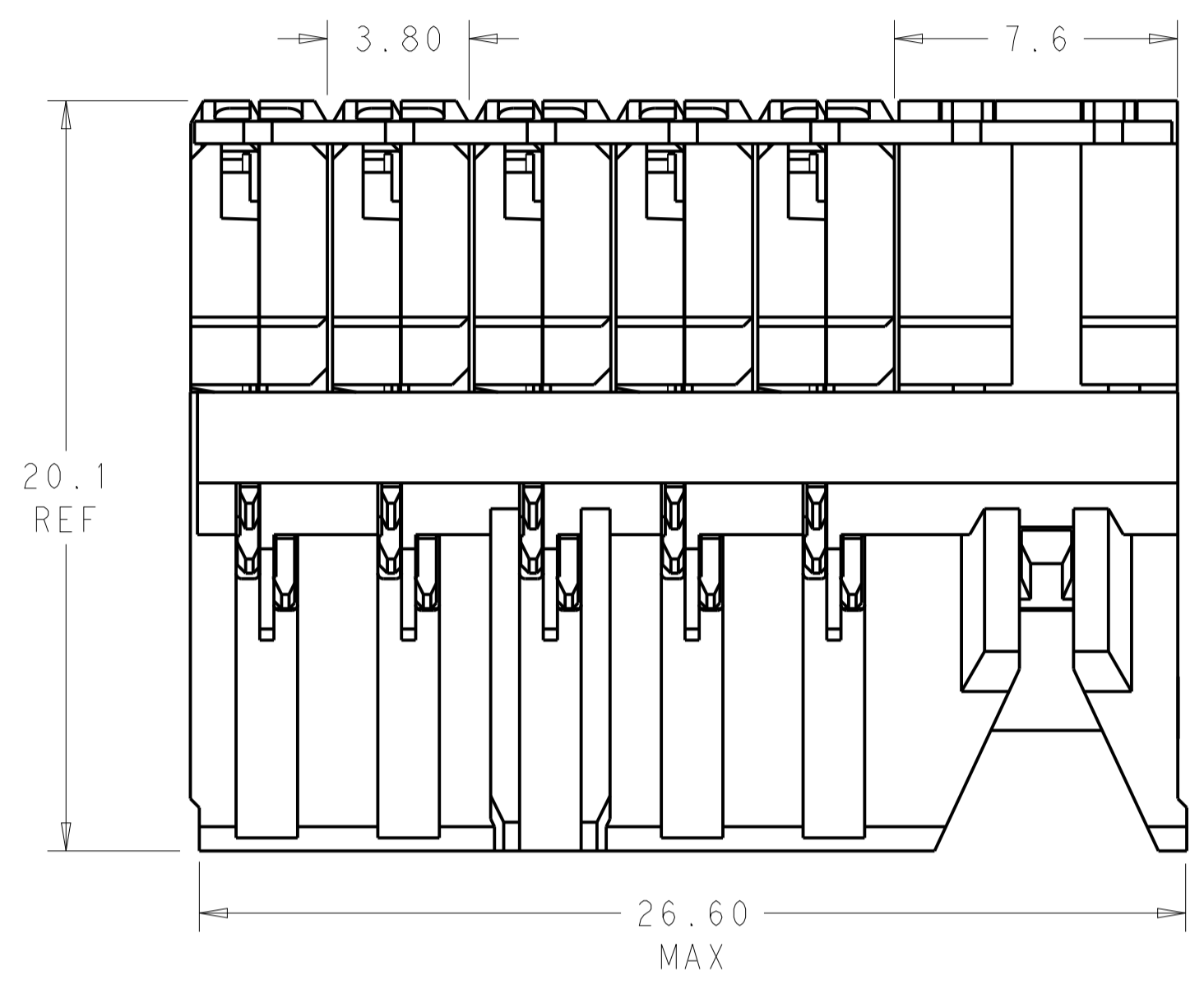


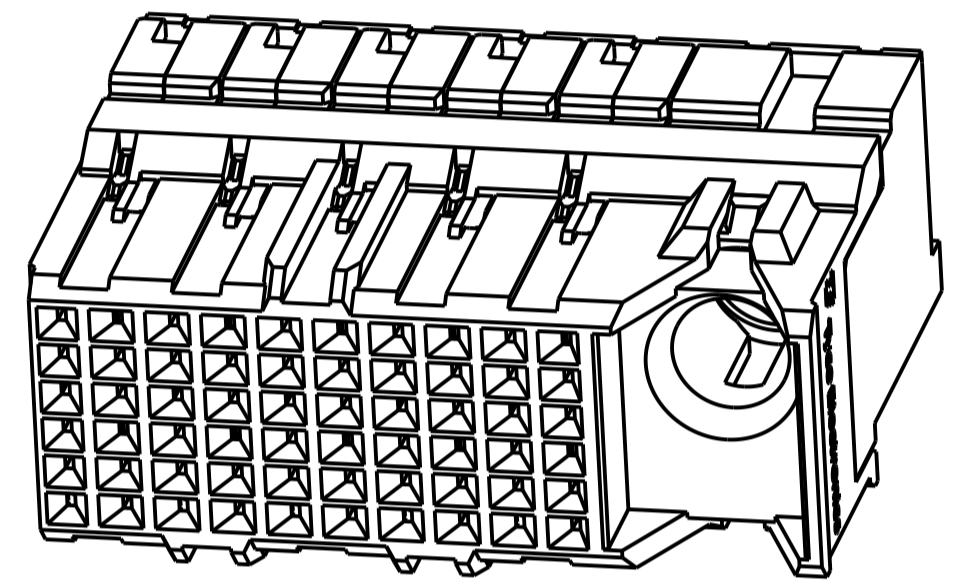
REVISIONS				
P.	LTN	DESCRIPTION	DATE	OWN APVD
C1		REVISED PER ECO-14-017984	02DEC2014	AP DD



⚠ MATERIAL:
HOUSING: LCP, GLASS FILLED, UL94V-0.
TERMINALS: HIGH PERFORMANCE COPPER ALLOY.

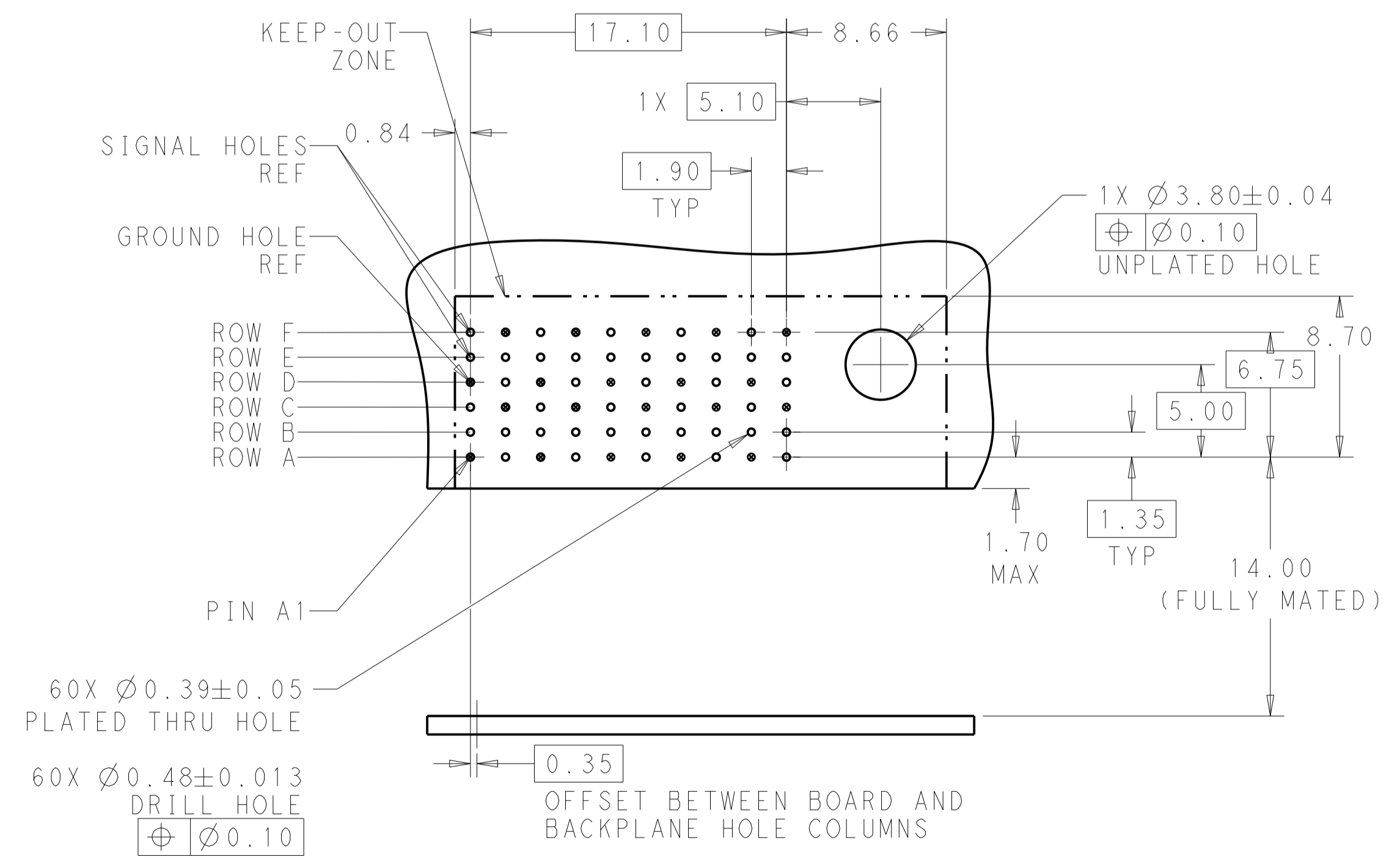
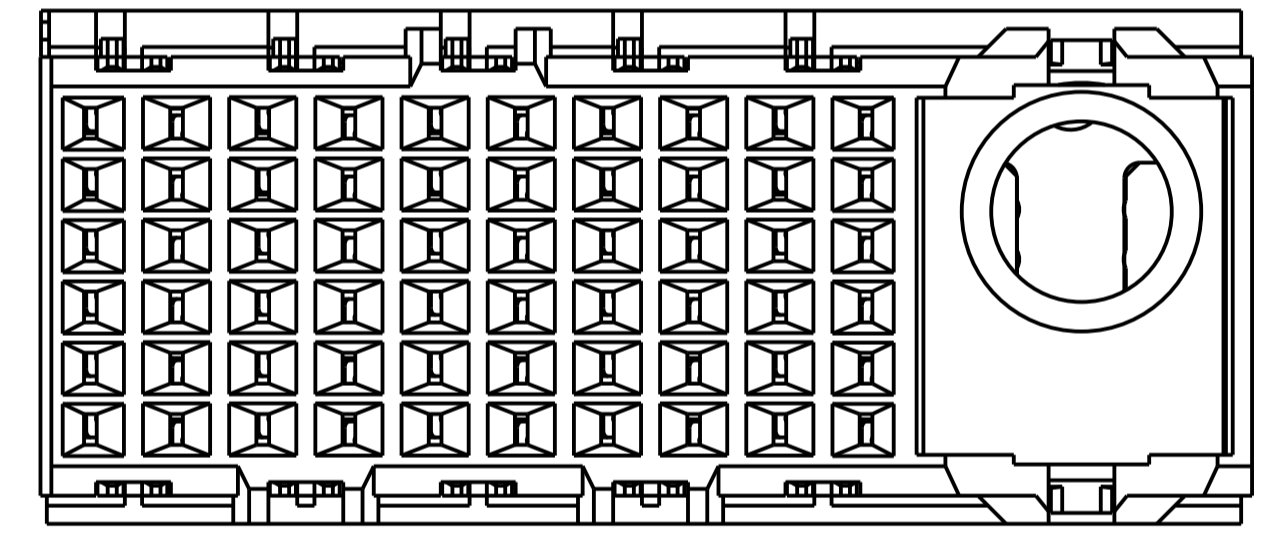
⚠ FINISH:
30μ" SELECTIVE GOLD IN CONTACT AREA. SELECTIVE TIN ON PCB TAILS, NICKEL OVERALL.

3. CONNECTORS SUPPLIED WITH MOUNTING SCREWS.



SCALE 4:1

REFER TO WWW.TE.COM FOR PRODUCT AVAILABILITY



RECOMMENDED PCB LAYOUT
MIN BOARD THICKNESS 1.6

NONE	⚠	2057404-1
KEY POSITION	FINISH	PART NUMBER

THIS DRAWING IS A CONTROLLED DOCUMENT.		OWN Z. MILLER 19AUG2010	TE Connectivity NAME: IMPACT, STD, R/A, 2 PAIR, 10 COLUMN DAUGHTERCARD, RIGHT GUIDED SIGNAL MODULE, 0.39 EYELET PRODUCT SPEC APPLICATION SPEC SIZE: CAGE CODE DRAWING NO WEIGHT RESTRICTED TO
DIMENSIONS: mm		CHK D. DIXON 19AUG2010	
TOLERANCES UNLESS OTHERWISE SPECIFIED:		APVD D. DIXON 19AUG2010	
0 PLC ± 1 PLC ±0.2 2 PLC ±0.10 3 PLC ± 4 PLC ± ANGLES ±		SEE TABLE CUSTOMER DRAWING	
MATERIAL		SEE TABLE	A100779C=2057404 SCALE 6:1 SHEET 1 OF 1 REV C1