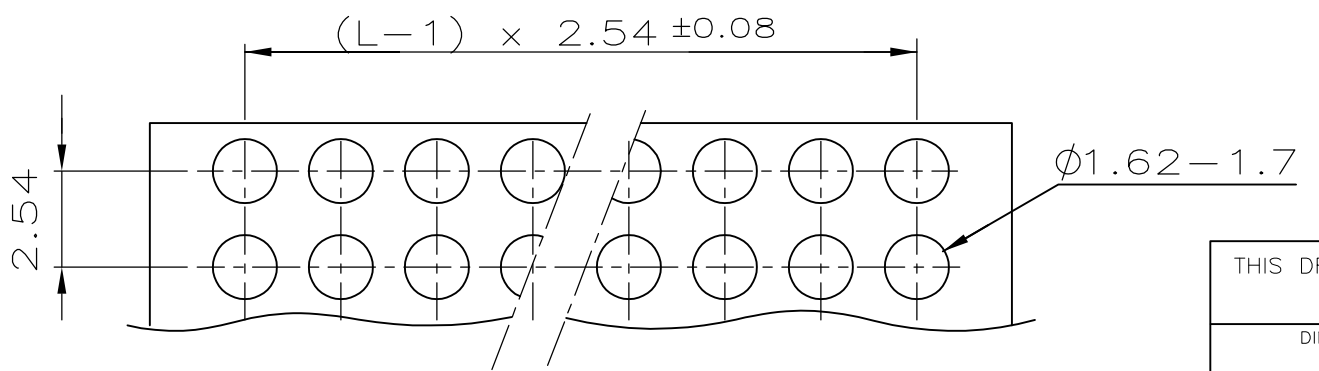
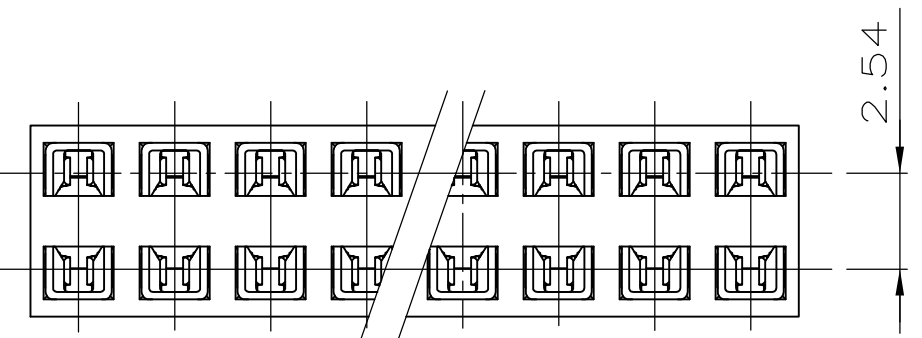
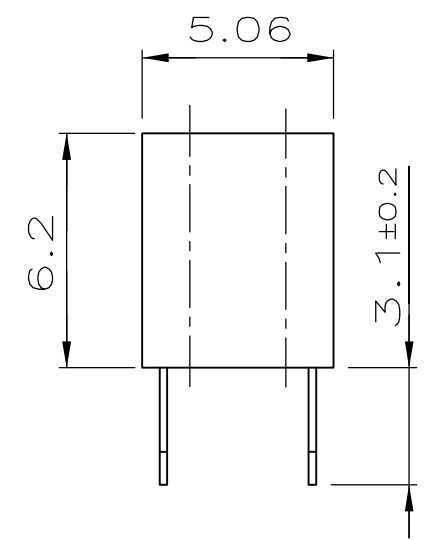
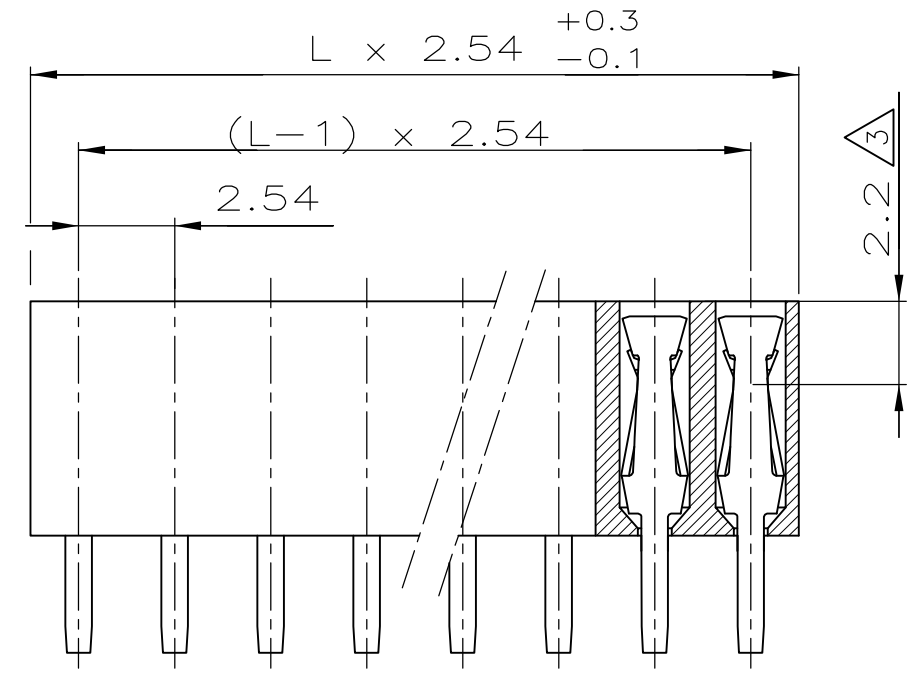


THIS DRAWING IS UNPUBLISHED. RELEASED FOR PUBLICATION
 © COPYRIGHT - By - ALL RIGHTS RESERVED.

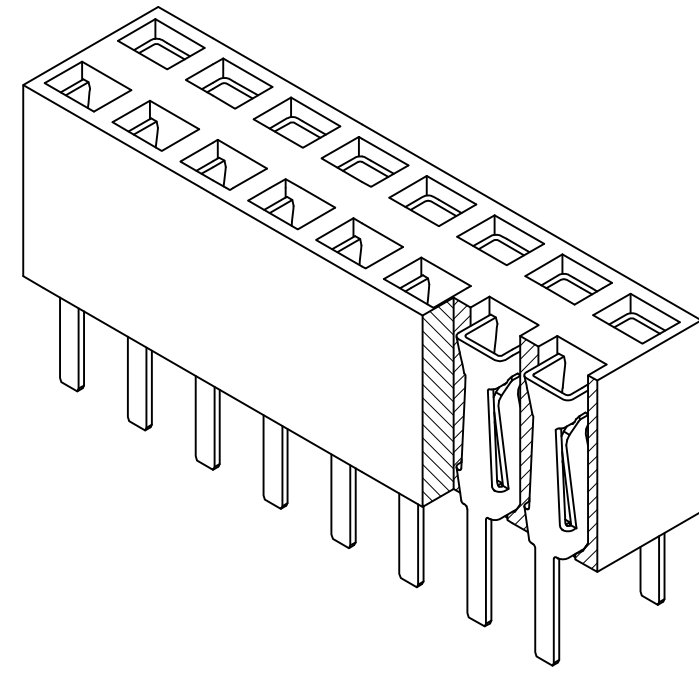
LOC	DIST	REVISIONS					
		P	LTR	DESCRIPTION	DATE	DWN	APVD
-	-		D1	NOTE 1 CHANGED FROM SnPb into Sn	23.03.06	-	K.-H. HESS
			D2	REVISED PER ECO-09-024717	06NOV09	KK	AEG
			D3	ECR-10-022530	12JAN11	KK	HMR

NOTES:

- 1. PLATING: UNDERCOATING: 1,3µm Ni.
 AT CONT.PLACE: 0,8µm Au.
 AT SOLDER-TYNES: MIN. 2,5µm Sn.
- 2. MATES WITH 0,63 SQUARE/ROUND MODU POSTS.
- 3. CONTACT-POINT.
- 4. RECOMMENDED P.C.BOARD-THICKNESS: 1,6.
- 5. HV100 CONNECTOR PACKED IN ANTISTATIC BLISTER
- 6. OBSOLETE PARTS: OBSOLETE CIS STREAMLINING PER D.RENAUD/D.SINISI



P.C.-BOARD HOLE-PATTERN



POS PER ROW	L +0.3/-0.1	PART-NO.
1	2.80	215 315 -1
2	5.08	-2
3	7.62	-3
4	10.16	-4
5	12.70	-5
OBSOLETE	6 15.24	-6
	7 17.78	-7
OBSOLETE	8 20.32	-8
OBSOLETE	9 22.86	-9
OBSOLETE	10 25.40	-0
	11 27.94	1-
OBSOLETE	12 30.48	1-
	13 33.02	1-
OBSOLETE	14 35.56	1-
	15 38.10	1-
	16 40.64	1-
OBSOLETE	17 43.18	1-
OBSOLETE	18 45.72	1-
	19 48.26	1-
OBSOLETE	20 50.80	2-
	21 53.34	2-
	22 55.88	2-
	23 58.42	2-
	24 60.96	2-
	25 63.50	2-
	26 66.04	2-
	27 68.58	2-
	28 71.12	2-
	29 73.66	2-
	30 76.20	3-
OBSOLETE	31 78.74	3-
OBSOLETE	32 81.28	3-
	33 83.82	3-
	34 86.36	3-
	35 88.90	3-
OBSOLETE	36 91.44	3- 215 315 -6

	1	Cu Sn	REC. CONTACT
VERWENDET FÜR	GREEN	PBTP-GV	REC. HOUSING
E 92-9803	FINISH	MATERIAL	DESCRIPTION

THIS DRAWING IS A CONTROLLED DOCUMENT.		DWN	20.05.86
		CHK	L.V.D.HEYDEN
DIMENSIONS: mm		APVD	-
TOLERANCES UNLESS OTHERWISE SPECIFIED:		PRODUCT SPEC	-
0 PLC	±0.1	APPLICATION SPEC	-
1 PLC	±-	WEIGHT	-
2 PLC	±-	CUSTOMER DRAWING	-
3 PLC	±-	SCALE	5:1
4 PLC	±-	SHEET	1 OF 1
ANGLES	±-	RESTRICTED TO	-
FINISH	-	REV	D3

STE TE Connectivity

NAME: HV 100 VERTICAL CONNECTOR
 DUAL ROW, 6,2mm HEIGHT,
 BOTTOM/TOP ENTRY, GOLD, MAX. 2x36 POSITIONS.

SIZE: A3 CAGE CODE: 00779 DRAWING NO: C-215315