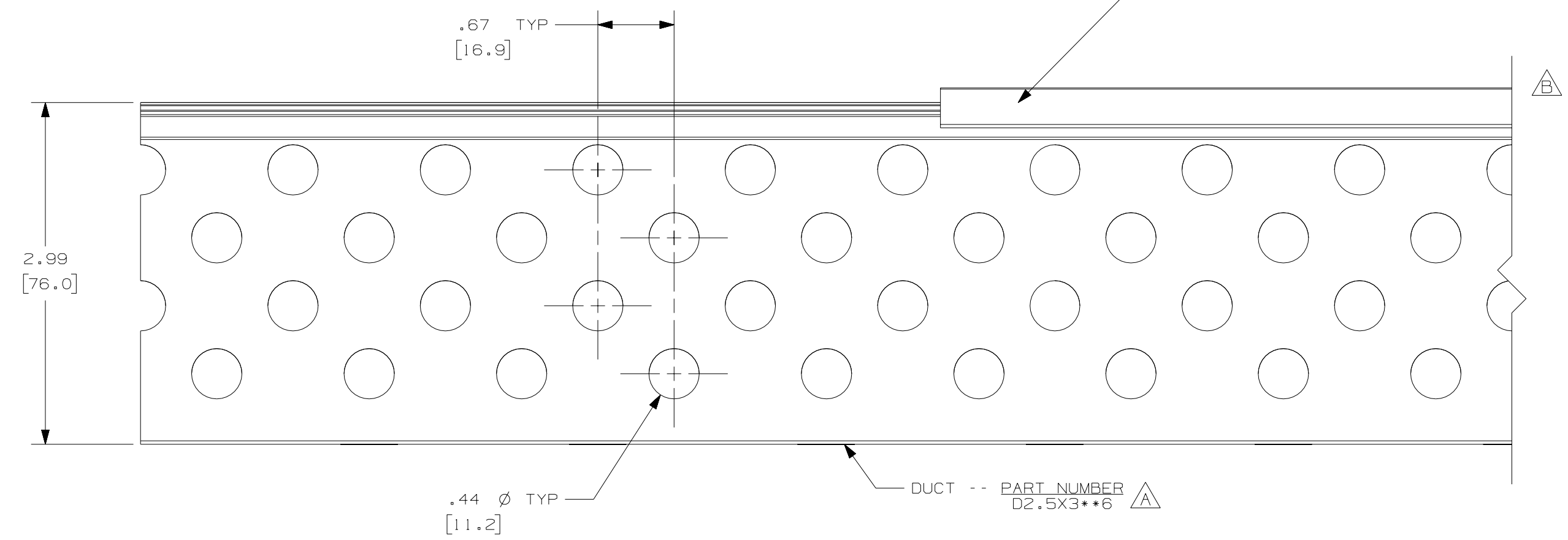
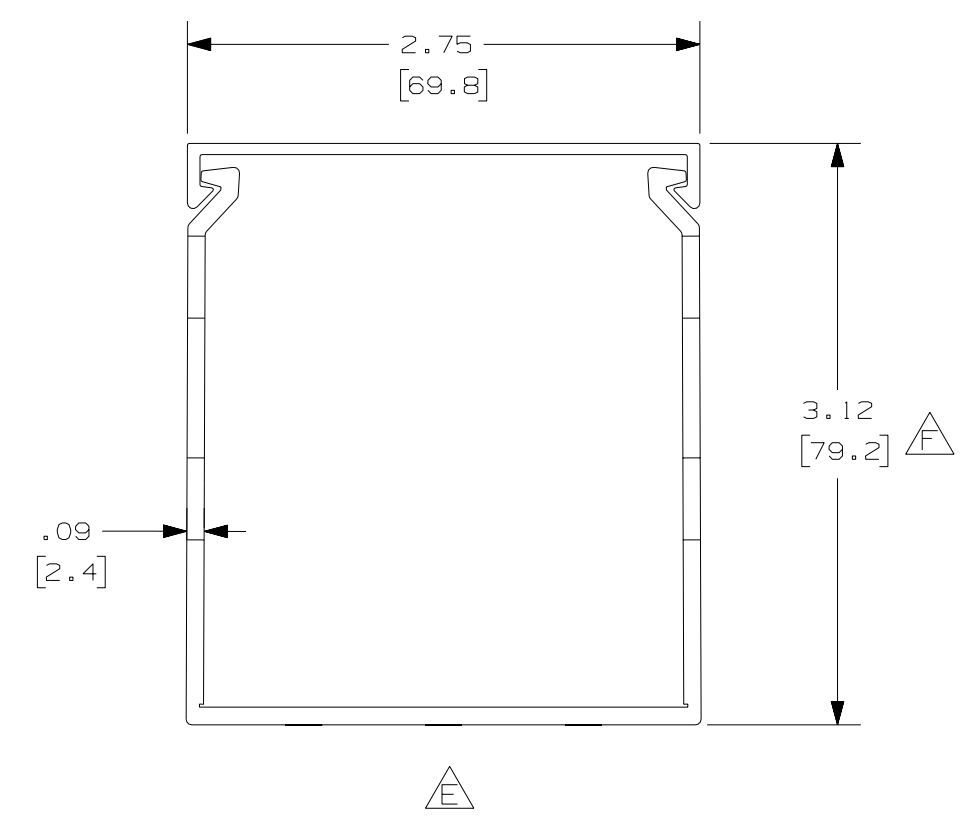


COVER -- PART NUMBER
C2.5**6



DUCT -- PART NUMBER
D2.5X3**6



- NOTES:
1. ALL DIMENSIONS ARE REFERENCE ONLY.
 2. DIMENSIONS IN PARENTHESIS ARE METRIC.
 3. THE ** DENOTE COLOR.
 4. DUCT AND COVER ARE AVAILABLE IN 6 FT [1828.8] LENGTHS.

REV	DATE	BY	CHK	DESCRIPTION
2	8/12/07	JCSTMKBE		G. ADDED LENGTH NOTE F. CORRECTED DIMENSION E. DELETED DIMENSION D. ADDED DIMENSION
1	6-18-04	JCSTMKBE		C. CHANGED DRAWING SIZE B. CHANGED VIEW A. ADDED TOP VIEW, NOTES, AND LABELS
R	4-28-03	JCST	JGG	DRAWING RELEASED

CAD FILENAME/LAYERS: D11000BM_DC_00C

PANDUIT CORP. TINLEY PARK, ILLINOIS

WIRING DUCT - TYPE D DUCT WITH COVER
2.5 X 3
MARKETING DRAWING

DRWN BY: JCST	MAT'L: PVC	SCALE: FULL
DATE: 4-28-03		DWG NO.: 36897-832
CHECKED BY: JGG		DWG SIZE: C