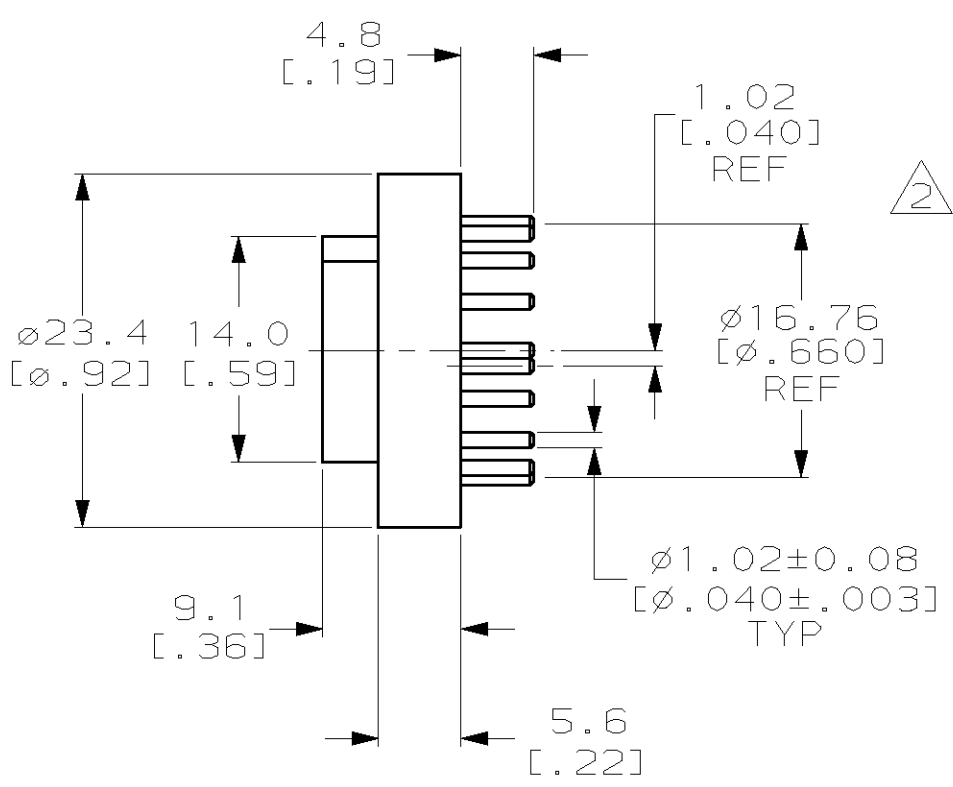
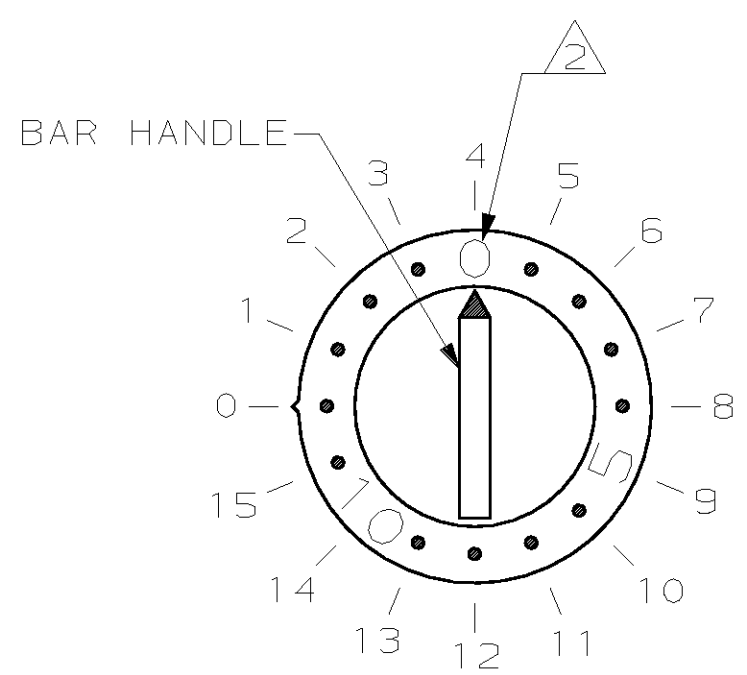
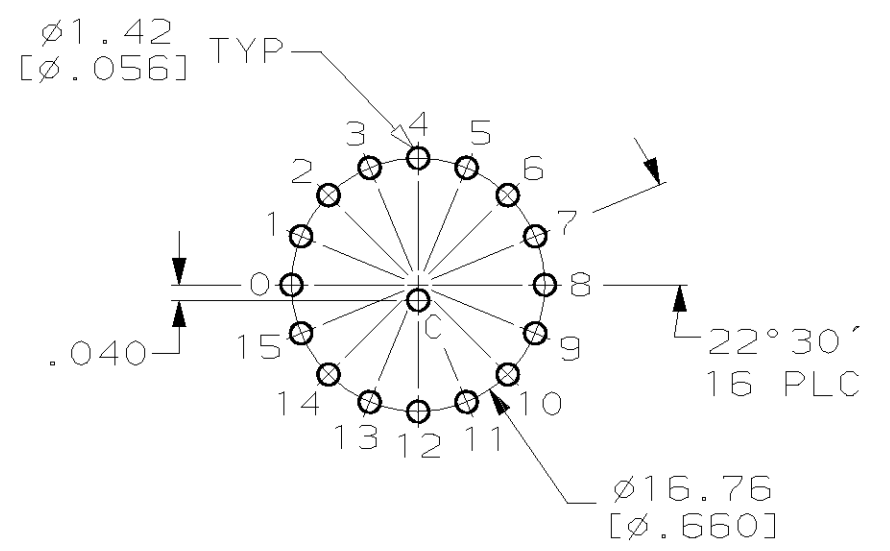


THIS DRAWING IS UNPUBLISHED. RELEASED FOR PUBLICATION ,19 .
 © COPYRIGHT 19 BY AMP INCORPORATED. ALL RIGHTS RESERVED.

| LOC | DIST | REVISIONS | | | | | |
|-----|------|-----------|-----|----------------------|---------|-----|------|
| FT | 69 | P | LTR | DESCRIPTION | DATE | DWN | APVD |
| | | | K | REV PER 063C-0765-04 | 30NOV04 | RB | MZ |



1 FINISH: SOLDER TAILS TIN PLATE 0.0038 [.000150] MIN THK OVER 0.0013 [.000050] MIN THK NICKEL. CONTACT AREA 0.00076 [.000030] MIN. HARD GOLD OVER 0.00127-0.00254 [.000050-.000100] LOW STRESS NICKEL.
 2 CHARACTERS 2.5 [.10] HIGH, COLOR BLACK.



| COMMON TO | SWITCH POSITION | | | | | | | | | | | | | | | |
|-----------|-----------------|---|---|---|---|---|---|---|---|---|----|----|----|----|----|----|
| | 0 | 1 | 2 | 3 | 4 | 5 | 6 | 7 | 8 | 9 | 10 | 11 | 12 | 13 | 14 | 15 |
| 0 | ● | | | | | | | | | | | | | | | |
| 1 | | ● | | | | | | | | | | | | | | |
| 2 | | | ● | | | | | | | | | | | | | |
| 3 | | | | ● | | | | | | | | | | | | |
| 4 | | | | | ● | | | | | | | | | | | |
| 5 | | | | | | ● | | | | | | | | | | |
| 6 | | | | | | | ● | | | | | | | | | |
| 7 | | | | | | | | ● | | | | | | | | |
| 8 | | | | | | | | | ● | | | | | | | |
| 9 | | | | | | | | | | ● | | | | | | |
| 10 | | | | | | | | | | | ● | | | | | |
| 11 | | | | | | | | | | | | ● | | | | |
| 12 | | | | | | | | | | | | | ● | | | |
| 13 | | | | | | | | | | | | | | ● | | |
| 14 | | | | | | | | | | | | | | | ● | |
| 15 | | | | | | | | | | | | | | | | ● |

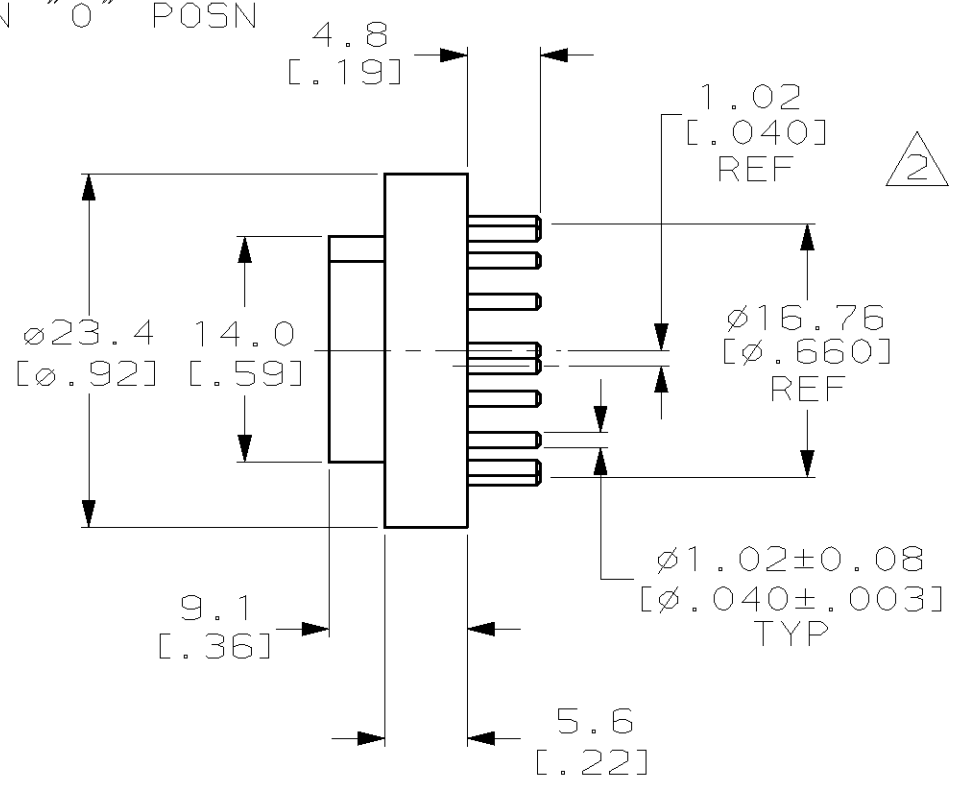
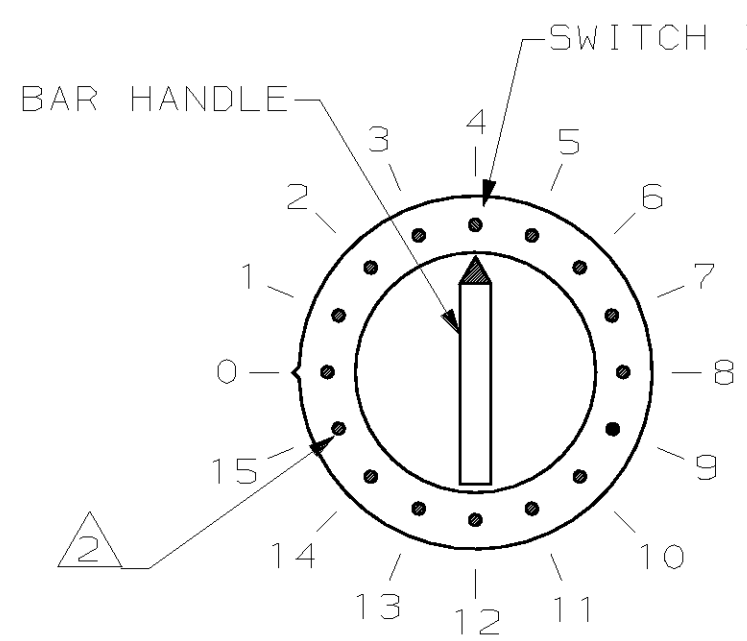
P.C. BOARD HOLE LAYOUT SWITCH SIDE

1-435304-1
PART NO

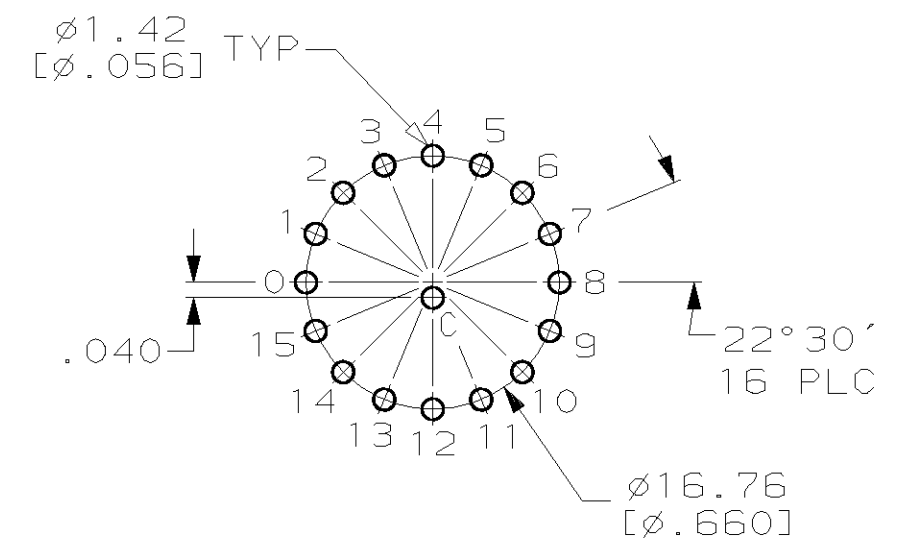
| | | | | |
|---|--|------------------------------|--|--------------------|
| THIS DRAWING IS A CONTROLLED DOCUMENT. | | DWN R. TALLEY 8-7-92 | AMP Incorporated Harrisburg, PA 17105-3608 | |
| DIMENSIONS: mm [INCHES] | | CHK R. MILLER 8-7-92 | | |
| TOLERANCES UNLESS OTHERWISE SPECIFIED: | | APVD D. HUFFMAN 8-9-91 | NAME ROTARY SWITCH ASSY, 16 POSN, 6000 SERIES SINGLE POLE | |
| 0 PLC ±- 1 PLC ±- 2 PLC ±0.5 [.02] 3 PLC ±- 4 PLC ±- ANGLES ±0°30' | | PRODUCT SPEC 108-7514 | DRAWING NO 435304 | |
| MATERIAL CASE: THERMOPLASTIC, COLOR NATURAL CONTACT: BRASS | | APPLICATION SPEC 114-7005 | SIZE A3 | RESTRICTED TO - |
| FINISH 1 | | WEIGHT - | CAGE CODE 00779 | SCALE 2:1 |
| | | CUSTOMER DRAWING | | SHEET 1 OF 3 |
| | | | | REV K |

THIS DRAWING IS UNPUBLISHED. RELEASED FOR PUBLICATION ,19 .
 © COPYRIGHT 19 BY AMP INCORPORATED. ALL RIGHTS RESERVED.

| LOC | DIST | REVISIONS | | | |
|-----|------|-------------|-------------|-----|------|
| P | LTR | DESCRIPTION | DATE | DWN | APVD |
| FT | 69 | - | SEE SHEET 1 | - | - |



- 1 FINISH: SOLDER TAILS TIN PLATE 0.0038 [.000150] MIN THK OVER 0.0013 [.000050] MIN THK NICKEL. CONTACT AREA 0.00076 [.000030] MIN. HARD GOLD OVER 0.00127-0.00254 [.000050-.000100] LOW STRESS NICKEL.
- 2 POSITION MARKINGS ø7.62 [ø.030], COLOR BLACK.



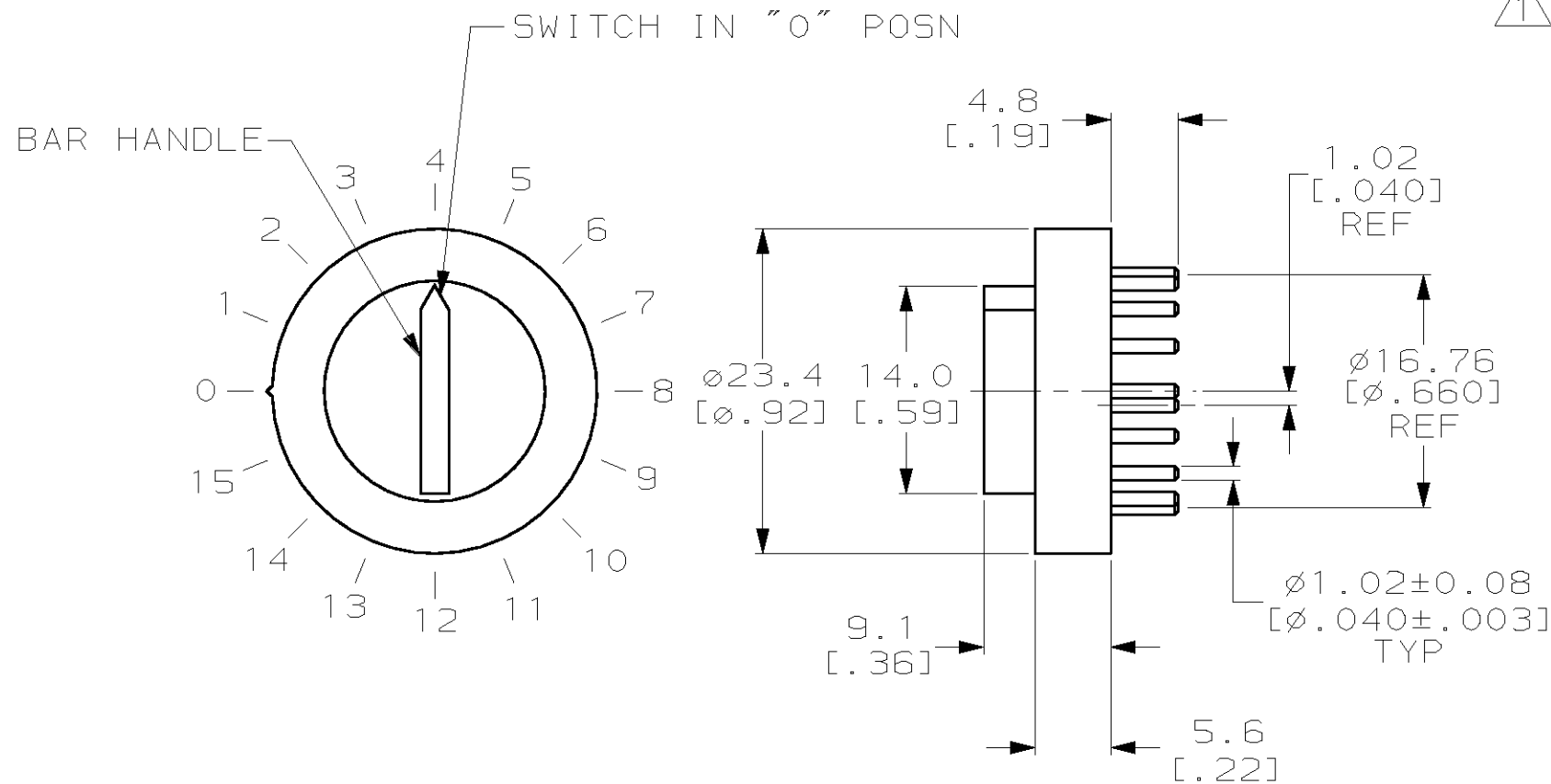
| COMMON TO | SWITCH POSITION | | | | | | | | | | | | | | | |
|-----------|-----------------|---|---|---|---|---|---|---|---|---|----|----|----|----|----|----|
| | 0 | 1 | 2 | 3 | 4 | 5 | 6 | 7 | 8 | 9 | 10 | 11 | 12 | 13 | 14 | 15 |
| 0 | ● | | | | | | | | | | | | | | | |
| 1 | | ● | | | | | | | | | | | | | | |
| 2 | | | ● | | | | | | | | | | | | | |
| 3 | | | | ● | | | | | | | | | | | | |
| 4 | | | | | ● | | | | | | | | | | | |
| 5 | | | | | | ● | | | | | | | | | | |
| 6 | | | | | | | ● | | | | | | | | | |
| 7 | | | | | | | | ● | | | | | | | | |
| 8 | | | | | | | | | ● | | | | | | | |
| 9 | | | | | | | | | | ● | | | | | | |
| 10 | | | | | | | | | | | ● | | | | | |
| 11 | | | | | | | | | | | | ● | | | | |
| 12 | | | | | | | | | | | | | ● | | | |
| 13 | | | | | | | | | | | | | | ● | | |
| 14 | | | | | | | | | | | | | | | ● | |
| 15 | | | | | | | | | | | | | | | | ● |

P.C. BOARD HOLE LAYOUT SWITCH SIDE

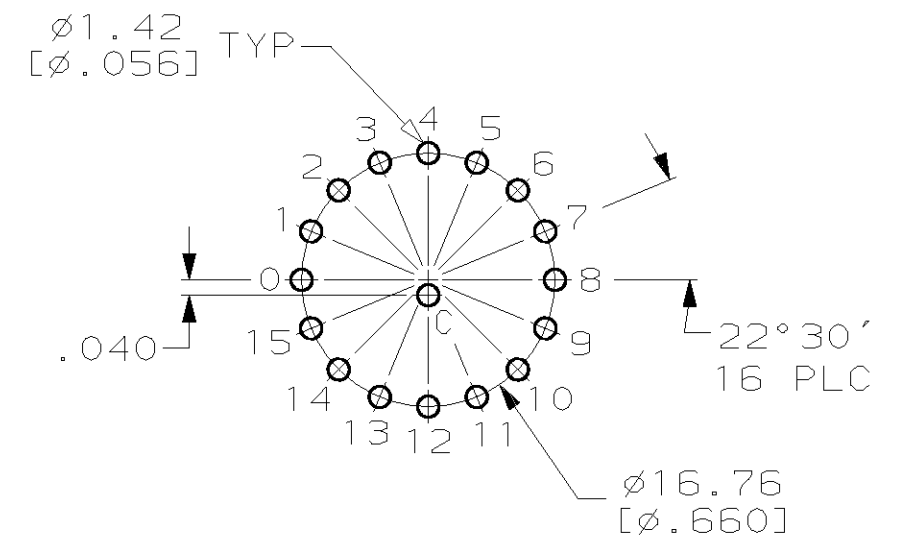
OBSOLETE 1-435304-3

| | | | | | |
|---|--|---------------------------|---|-----------------|---------------------|
| THIS DRAWING IS A CONTROLLED DOCUMENT. | | DWN R. TALLEY 8-7-92 | AMP Incorporated Harrisburg, PA 17105-3608 | | |
| DIMENSIONS: mm [INCHES] | | CHK R. MILLER 8-7-92 | | | |
| TOLERANCES UNLESS OTHERWISE SPECIFIED: | | APVD D. HUFFMAN 8-9-91 | NAME ROTARY SWITCH ASSY, 16 POSN, 6000 SERIES SINGLE POLE | | |
| 0 PLC ±- 1 PLC ±- 2 PLC ±0.5 [.02] 3 PLC ±- 4 PLC ±- ANGLES ±0°30' | | PRODUCT SPEC 108-7514 | RESTRICTED TO - | | |
| MATERIAL CASE: THERMOPLASTIC, COLOR NATURAL CONTACT: BRASS | | APPLICATION SPEC 114-7005 | SIZE A3 | CAGE CODE 00779 | DRAWING NO C-435304 |
| FINISH 1 | | WEIGHT - | SCALE 2:1 SHEET 2 OF 3 REV K | | |
| CUSTOMER DRAWING | | | | | |

| | | | | | | | |
|-----|------|-----------|-----|-------------|------|-----|------|
| LOC | DIST | REVISIONS | | | | | |
| FT | 69 | P | LTR | DESCRIPTION | DATE | DWN | APVD |
| | | - | | SEE SHEET 1 | - | - | - |



1 FINISH: SOLDER TAILS TIN PLATE 0.0038 [.000150] MIN THK OVER 0.0013 [.000050] MIN THK NICKEL. CONTACT AREA 0.00076 [.000030] MIN. HARD GOLD OVER 0.00127-0.00254 [.000050-.000100] LOW STRESS NICKEL.



| COMMON TO | SWITCH POSITION | | | | | | | | | | | | | | | |
|-----------|-----------------|---|---|---|---|---|---|---|---|---|----|----|----|----|----|----|
| | 0 | 1 | 2 | 3 | 4 | 5 | 6 | 7 | 8 | 9 | 10 | 11 | 12 | 13 | 14 | 15 |
| 0 | ● | | | | | | | | | | | | | | | |
| 1 | | ● | | | | | | | | | | | | | | |
| 2 | | | ● | | | | | | | | | | | | | |
| 3 | | | | ● | | | | | | | | | | | | |
| 4 | | | | | ● | | | | | | | | | | | |
| 5 | | | | | | ● | | | | | | | | | | |
| 6 | | | | | | | ● | | | | | | | | | |
| 7 | | | | | | | | ● | | | | | | | | |
| 8 | | | | | | | | | ● | | | | | | | |
| 9 | | | | | | | | | | ● | | | | | | |
| 10 | | | | | | | | | | | ● | | | | | |
| 11 | | | | | | | | | | | | ● | | | | |
| 12 | | | | | | | | | | | | | ● | | | |
| 13 | | | | | | | | | | | | | | ● | | |
| 14 | | | | | | | | | | | | | | | ● | |
| 15 | | | | | | | | | | | | | | | | ● |

OBSOLETE 1-435304-4

| | | | | | | | | |
|--|--|------------------|------------|----------------------------|--|----------------|------------|---------------|
| THIS DRAWING IS A CONTROLLED DOCUMENT. | | DWN | C. WHITT | 9-10-92 | AMP AMP Incorporated Harrisburg, PA 17105-3608 | | | |
| DIMENSIONS: mm [INCHES] | | CHK | R. TALLEY | 9-11-92 | | | | |
| TOLERANCES UNLESS OTHERWISE SPECIFIED: | | APVD | D. HUFFMAN | 9-11-92 | NAME ROTARY SWITCH ASSY, 16 POSN, 6000 SERIES SINGLE POLE | | | |
| 0 PLC ±- | | PRODUCT SPEC | | 108-7514 | | | | |
| 1 PLC ±- | | APPLICATION SPEC | | 114-7005 | SIZE | CAGE CODE | DRAWING NO | RESTRICTED TO |
| 2 PLC ±0.5 [.02] | | WEIGHT | | - | A3 | 00779 | C- 435304 | - |
| 3 PLC ±- | | CUSTOMER DRAWING | | SCALE | 2:1 | | SHEET | 3 OF 3 |
| 4 PLC ±- | | FINISH | | 1 | | REV | | K |
| ANGLES ±0°30' | | MATERIAL | | CASE: THERMOPLASTIC, COLOR | | CONTACT: BRASS | | |