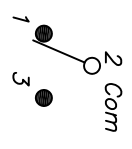
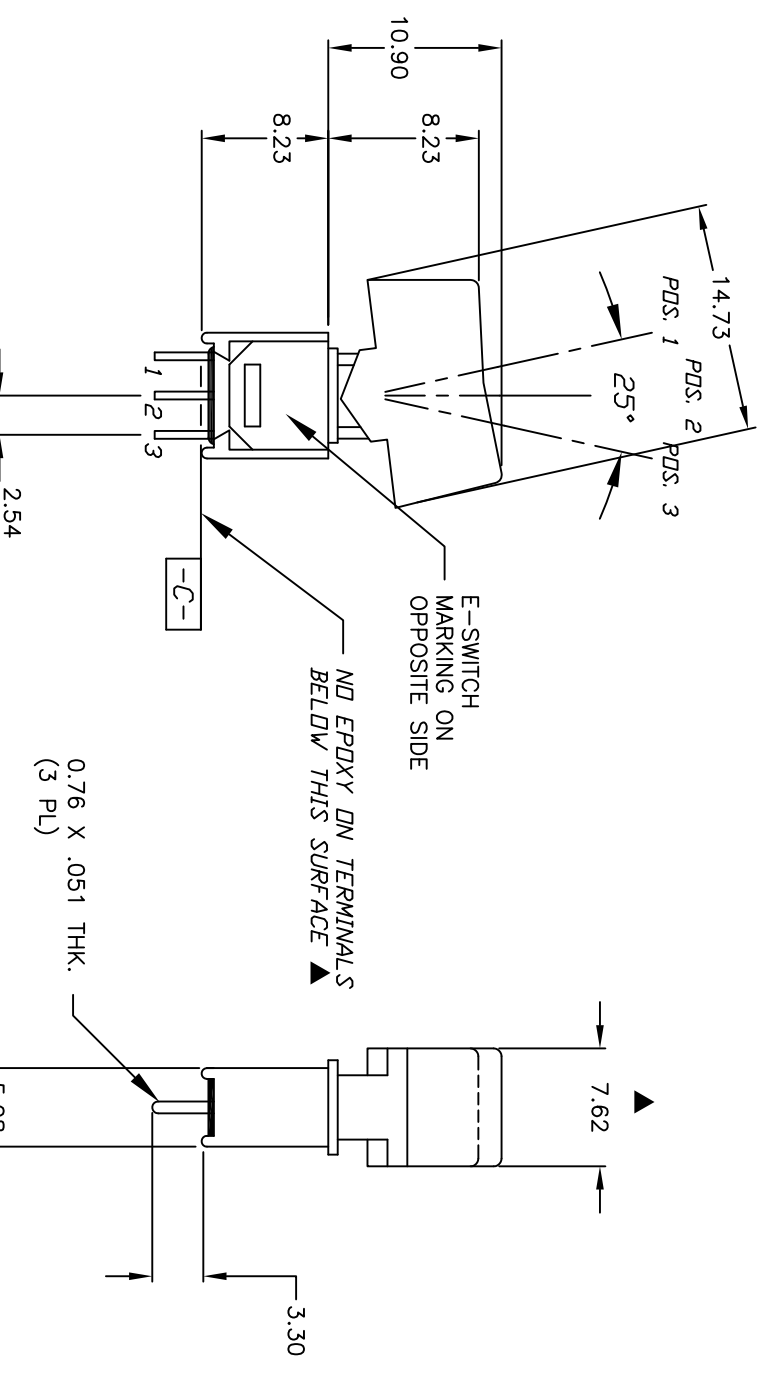


RECOMMENDED P.C.B. LAYOUT



SWITCH FUNCTION		
POS. 1	POS. 2	POS. 3
DN	DF-F	DN
2-3	DOPEN	2-1



NOTES:

1. ALL DIMENSIONS IN MM
2. GENERAL TOLERANCE: X.X=±0.4  
X.XX=±0.25
3. TERM. NOS. FOR REF. ONLY
4. CONTACT RATING: 0.4VA @20V AC or DC max.
5. FIXED TERMINAL & MOVING CONTACT:  
Copper alloy w/Gold plate over Nickel plate.  
ELECTRIC LIFE: 30,000 make-and-break cycles at full load.
6. ELECTRIC LIFE: 30,000 make-and-break cycles at full load.
7. INSULATION RESISTANCE: 1,000 M ohm min.
8. DIELECTRIC STRENGTH: 1,000 V RMS @sea level.
9. OPERATING TEMP.: -30°C to +85°C

REV.	ECN No.	DESCRIPTION	DATE	CHKD
B	21404	CORRECT DRAWING TITLE	3/12/14	EBP
A	12749	RELEASED	1/22/03	CB

THE INFORMATION CONTAINED IN THIS DOCUMENT IS PROPRIETARY TO E-SWITCH AND IS NOT TO BE COPIED OR TRANSFERRED

SCALE 2:1

DATE 1/22/03

DR CB

DWG T413003

REV B

TITLE 400MSP3R1BLKM2RE

**E-SWITCH®**