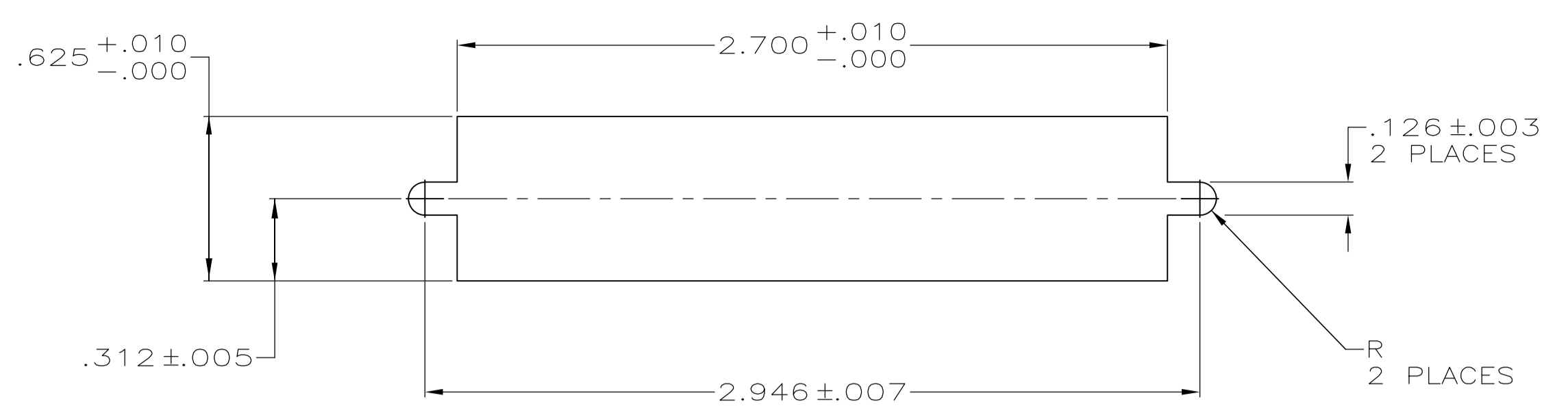
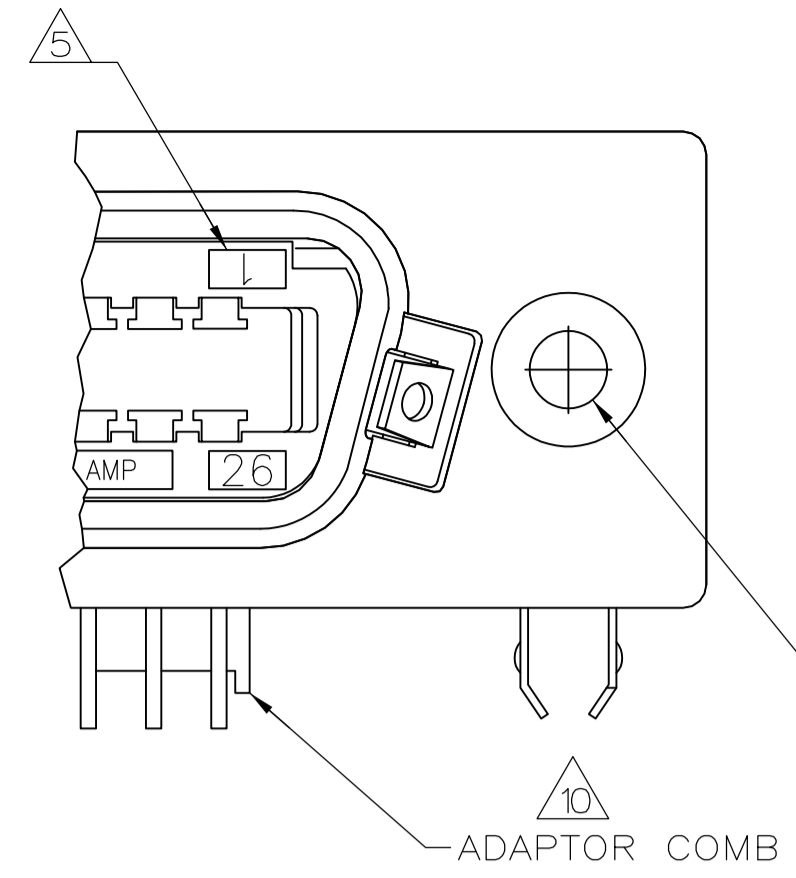


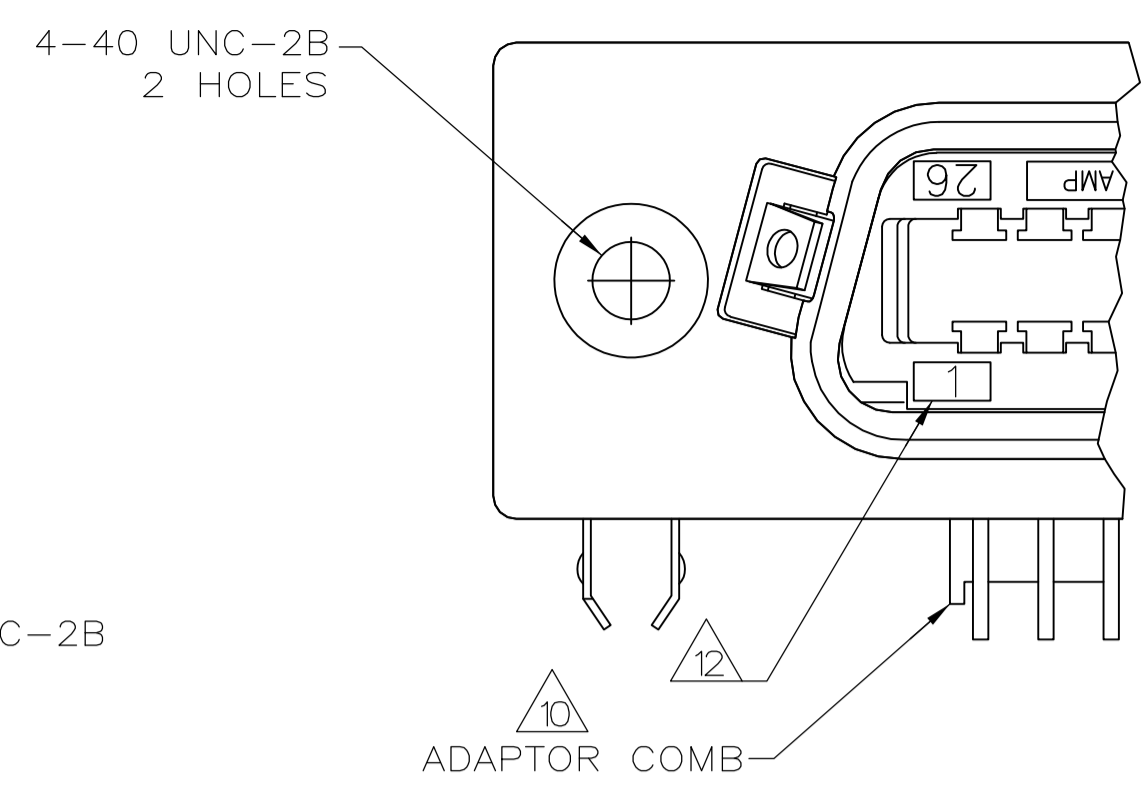
LOC	DIST	REVISIONS			
GP	00	REV	DESCRIPTION	DATE	BY
		B	REVISED PER ECO-08-007327	09APR08	BM WM
		B1	REVISED PER ECO-09-024927	10NOV09	KK AEG



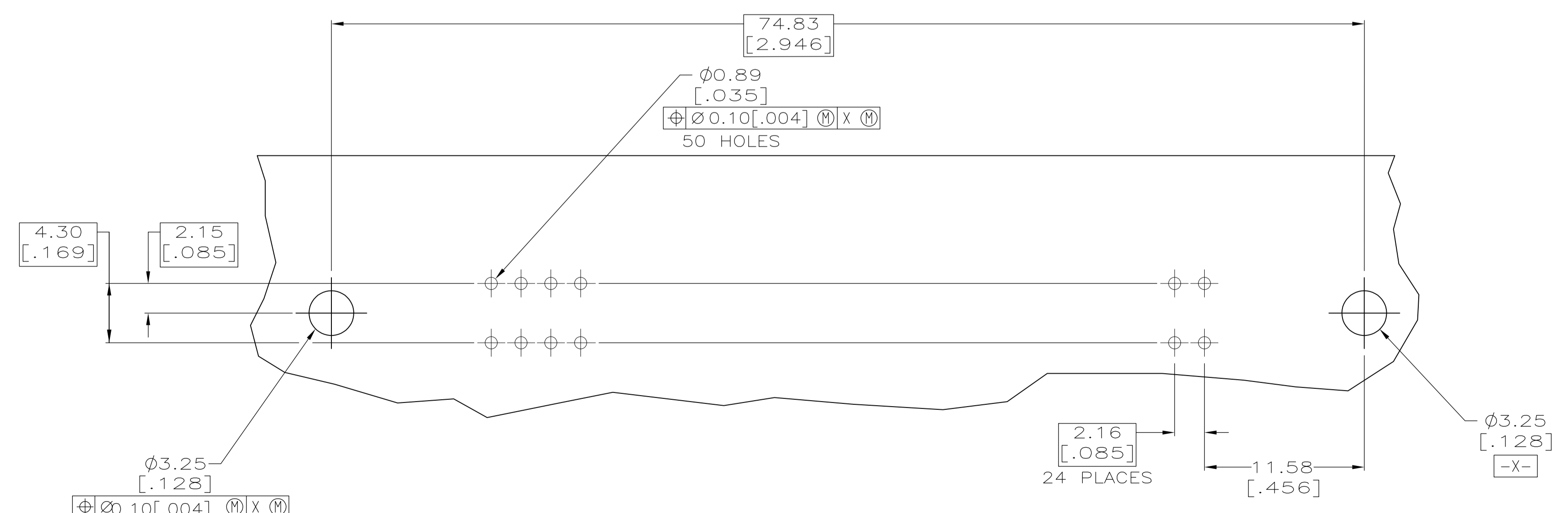
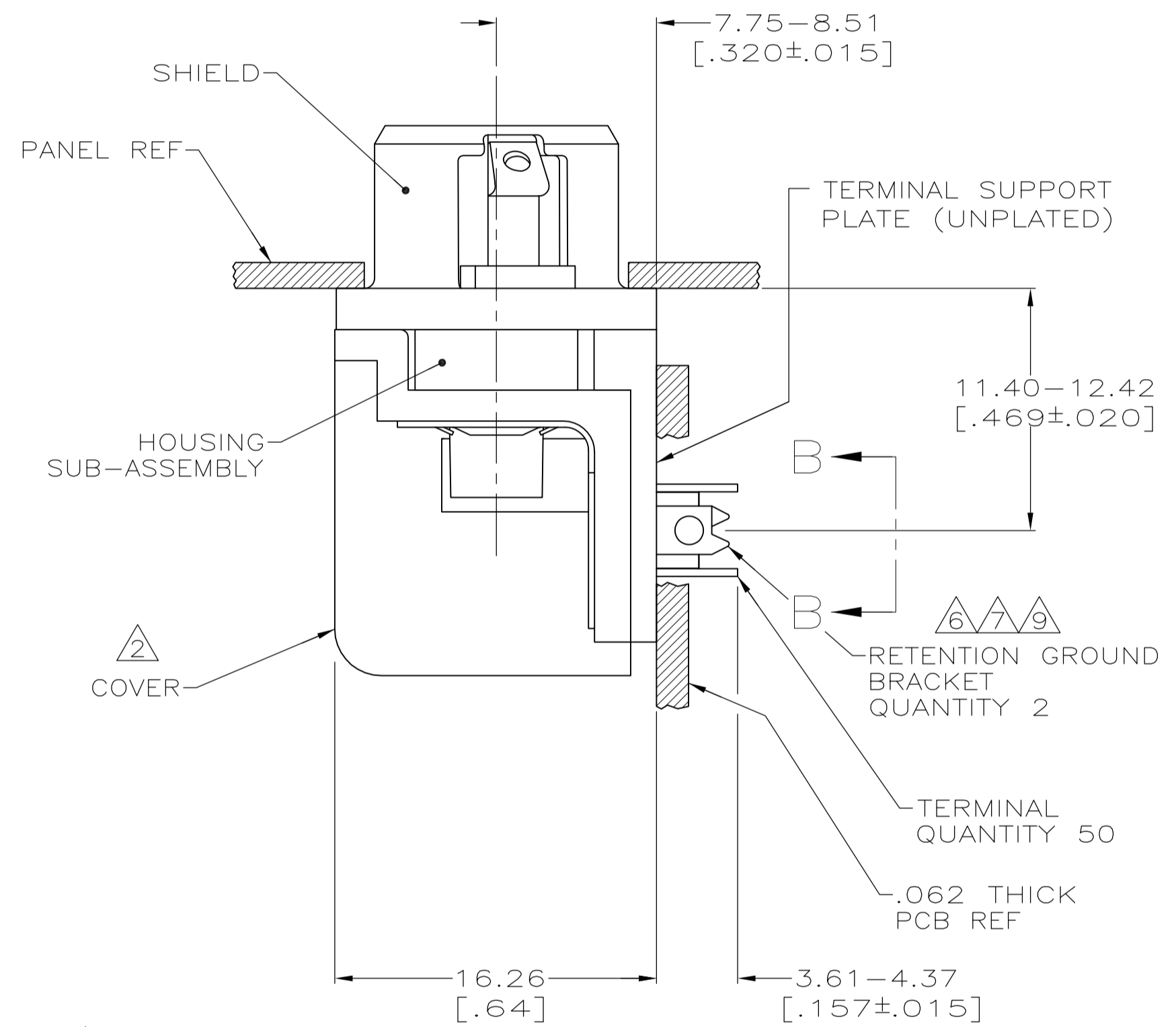
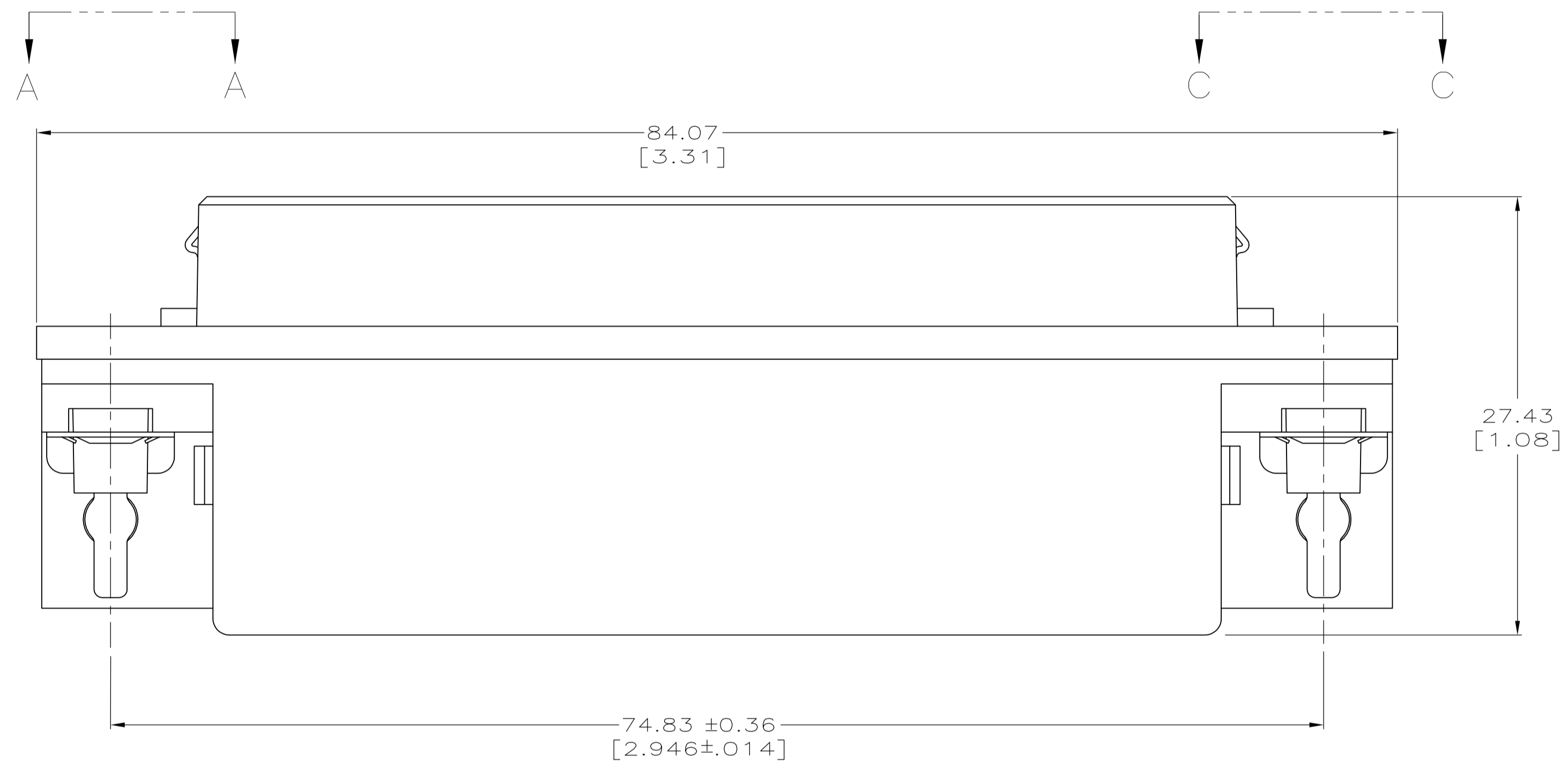
SUGGESTED BRACKET CUTOUT
 MOUNTING DIMENSIONS
 SCALE 2:1



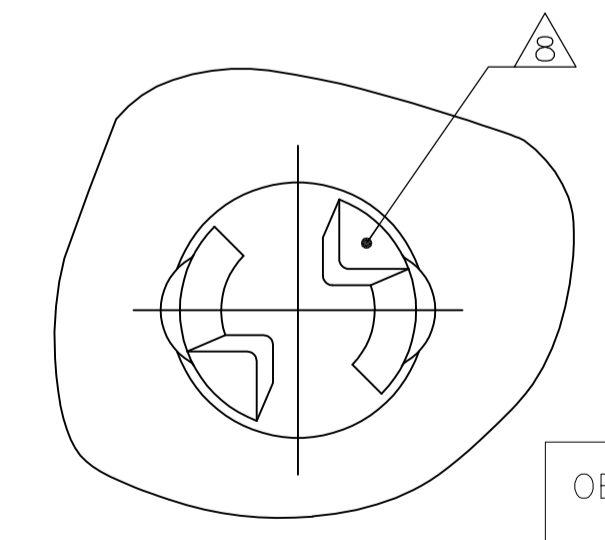
VIEW A-A
 STANDARD ORIENTATION
 ROTATED 180° CCW



VIEW C-C
 REVERSE ORIENTATION
 ROTATED 180° CCW



SUGGESTED PRINTED CIRCUIT BOARD
 MOUNTING DIMENSIONS



VIEW B-B
 SCALE 8:1

- 1 MATERIAL:
 HOUSING & ADAPTER COMB - POLYESTER, BLACK.
 SUPPORT PLATE - POLYESTER, NATURAL (OR EQUIVALENT).
 SHIELD - BRIGHT NICKEL OVER COPPER PLATED ZINC.
 RETENTION GROUND BRACKET - TIN PLATED CARBON STEEL.
 TERMINALS - HIGH STRENGTH COPPER ALLOY PLATED WITH
 EITHER 0.76µm [.000030] MIN GOLD PLATE OR GOLD FLASH
 OVER PALLADIUM NICKEL PLATE, 0.76µm [.000030] MIN TOTAL
 ON MATING SURFACE. 3.05µm [.000120] MIN TIN PLATE ON
 TAILS. ALL OVER 1.27µm [.000050] MIN NICKEL UNDERPLATE
 OVER ENTIRE TERMINAL.
- 2 COVER - POLYESTER, NATURAL, (OR EQUIVALENT), PLATED MATTE
 COPPER 3.81µm [.000150] MINIMUM THICK, BENEATH MATTE
 NICKEL PLATE, 3.81µm [.000150] MINIMUM THICK.
- 3. CENTER-TO-CENTER SPACING OF TERMINALS IS 2.16 [.085]
 NOMINAL.
- 4 ALL DIMENSIONS SHOWN ARE MAXIMUM UNLESS OTHERWISE
 SPECIFIED.
- 5 TERMINAL 1 LOCATED THIS ROW FOR STANDARD ORIENTATION,
 SEE VIEW A-A.
- 6 GROUNDING BRACKET RETAINS CONNECTOR IN 1.57 [.062]
 THICK PC BOARD WITHOUT ADDITIONAL HARDWARE.
- 7 GROUNDING BRACKET LOCATES CONNECTOR FLUSH WITH TOP OF
 PC BOARD AND SPRING LOCKS BENEATH.
- 8 CYLINDRICAL SHAPE OFFERS 180° OF SOLDERING SURFACE.
- 9 SURFACE AREA OF BOARDLOCK GROUNDING BRACKET BELOW PC
 BOARD SHALL PASS SOLDERABILITY REQUIREMENTS IN
 ACCORDANCE WITH TYCO ELECTRONICS SPEC 109-11-2.
 DISCOLORATION, SCRATCHES, SPOTS AND OTHER COSMETIC
 DEFICIENCIES TYPICAL OF BARREL PLATING PROCESSES ARE
 ACCEPTABLE PROVIDING PARTS PASS 24 HOUR EXPOSURE AT
 95% RH AT 40°C WITHOUT EVIDENCE OF CORROSION.
- 10 IF TERMINALS DO NOT EXTEND BELOW COMB, COMB SHALL BE
 PARTIALLY RETRACTED BEFORE INSERTING CONNECTOR INTO PC
 BOARD.
- 11. THE CONTACT SURFACES OF THE TERMINALS ARE COATED WITH
 LUBRICANT.
- 12 TERMINAL 1 LOCATED THIS ROW FOR REVERSE ORIENTATION,
 SEE VIEW C-C.
- 13 OBSOLETE PARTS: OBSOLETE CIS STREAMLINING PER
 D.RENAUD/D.SINISI

REV	DESCRIPTION	DATE	BY
13	REVERSE, VIEW C-C	01SEP05	W. MILLHIMES
12	REVERSE, VIEW C-C	01SEP05	W. MILLHIMES
11	REVERSE, VIEW C-C	01SEP05	W. MILLHIMES
10	REVERSE, VIEW C-C	01SEP05	W. MILLHIMES
9	REVERSE, VIEW C-C	01SEP05	W. MILLHIMES
8	REVERSE, VIEW C-C	01SEP05	W. MILLHIMES
7	REVERSE, VIEW C-C	01SEP05	W. MILLHIMES
6	REVERSE, VIEW C-C	01SEP05	W. MILLHIMES
5	REVERSE, VIEW C-C	01SEP05	W. MILLHIMES
4	REVERSE, VIEW C-C	01SEP05	W. MILLHIMES
3	REVERSE, VIEW C-C	01SEP05	W. MILLHIMES
2	REVERSE, VIEW C-C	01SEP05	W. MILLHIMES
1	REVERSE, VIEW C-C	01SEP05	W. MILLHIMES

THIS DRAWING IS A CONTROLLED DOCUMENT.

DIMENSIONS: mm [INCHES]	TOLERANCES UNLESS OTHERWISE SPECIFIED:	0 PLC ± .4	1 PLC ± .3	2 PLC ± .2	3 PLC ± .15	4 PLC ± .1	ANGLES ± .5
----------------------------	---	------------	------------	------------	-------------	------------	-------------

MATERIAL	FINISH	WEIGHT	SIZE	CAGE CODE	DRAWING NO	RESTRICTED TO
1 2	1 2	-	A1	00779	6368355	-

RECEPTACLE ASSEMBLY,
 50 POSITION, SHIELDED, RIGHT ANGLE,
 BOARD LOCK, INTEGRAL LOCKING LATCH, CHAMP

SCALE 4:1 SHEET 1 of 1 REV B1