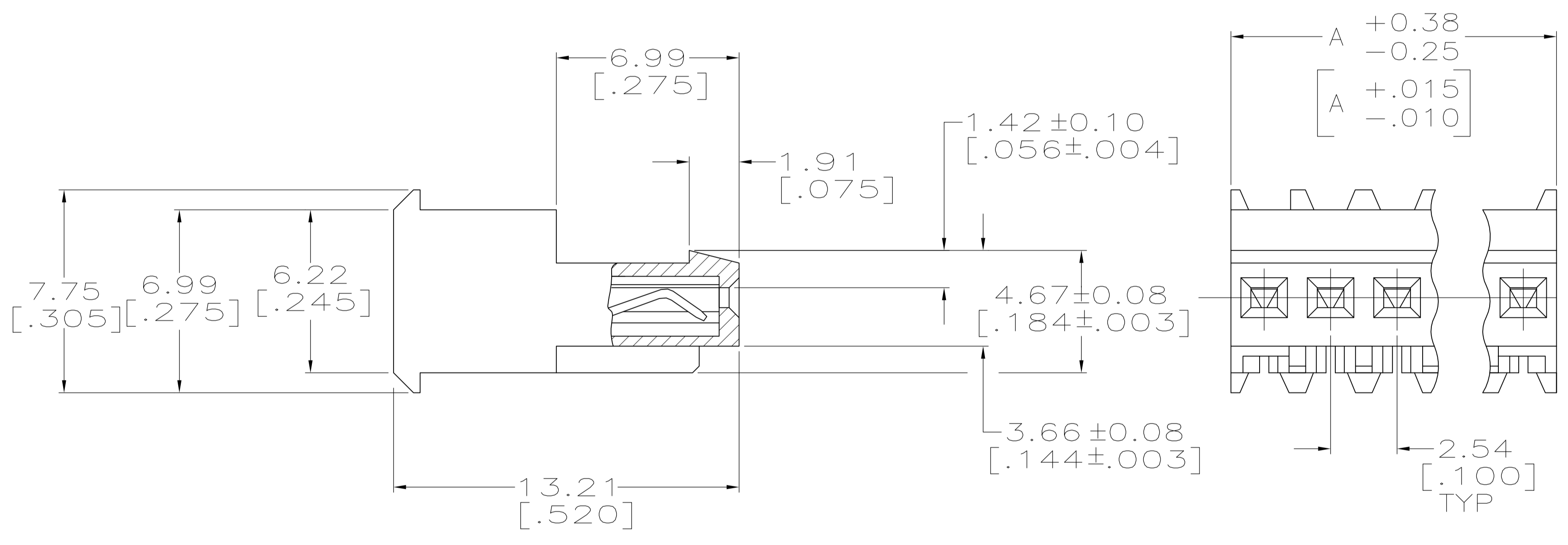
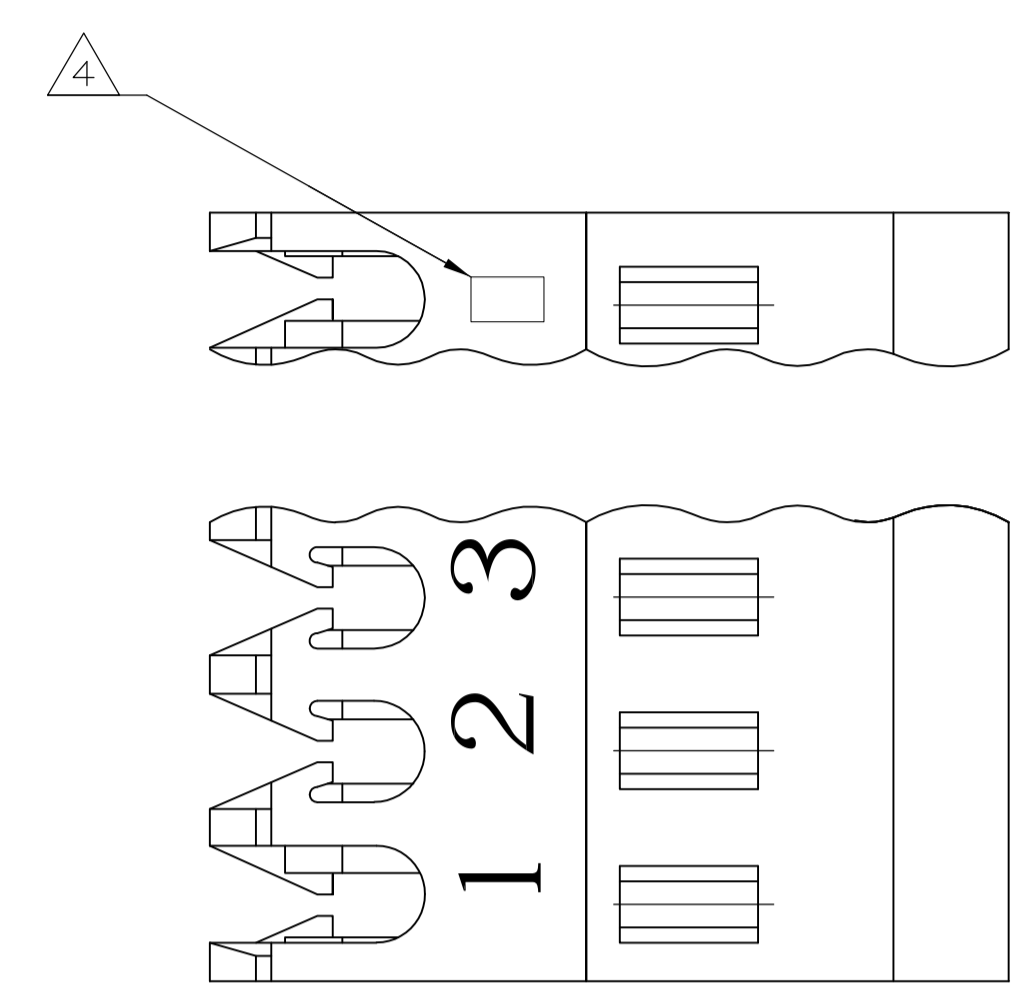


- 1 MATERIAL: CONNECTOR-NYLON UL94V-2.
CONTACTS-0.30 [.012] THICK COPPER ALLOY
BRIGHT TIN-LEAD 0.00203 [.000080] MINIMUM THICK FOR CONTACTS
641653-2 THRU 641653-8,
MATTE WHISKER MITIGATED TIN PLATE 0.00203 [.000080] MINIMUM THICK OVER
NICKEL UNDERPLATE FOR CONTACTS 3-641653-2 THRU 3-641653-8.
- 2 CONTACTS ACCEPT 22 AWG WIRE WITH 1.52 [.060] MAXIMUM INSULATION DIAMETER.
- 3 CONTACTS MUST ACCEPT 0.64±0.03 [.025±.001] SQUARE POST AND REMAIN
LOCKED IN POSITION.
- 4 IDENTIFICATION NUMBER FOR LAST CIRCUIT MAY NOT APPEAR ON ALL ASSEMBLIES.
- 5 DIMENSIONS IN BRACKETS ARE IN INCHES.
- 6 HOUSING FEATURES ARE: FEED THRU WITH LOCKING RAMP & LED CONTACT.
- 7 RED COLOR STRIPE ON HOUSING (NOT SHOWN) MAY RUN DOWN BETWEEN RIBS.



LEAD FREE	20.32 [.800]	8	3-641653-8
	7.62 [.300]	3	3-641653-3
	5.08 [.200]	2	3-641653-2
	DIM A	NO.OF POSN	ASSEMBLY

CONTAINS LEAD	20.32 [.800]	8	641653-8
	7.62 [.300]	3	641653-3
	5.08 [.200]	2	641653-2
	DIM A	NO.OF POSN	ASSEMBLY

THIS DRAWING IS A CONTROLLED DOCUMENT.

DIMENSIONS: mm [INCHES]	TOLERANCES UNLESS OTHERWISE SPECIFIED:	DIN S. HOOVER 10-DEC-2004	APVD D. ROSSI 10-DEC-2004	NAME
0 PLC ±	1 PLC ±	2 PLC ±	3 PLC ±	4 PLC ±
ANGLES ±				
MATERIAL	FINISH	SIZE	CAGE CODE	DRAWING NO
		A1	00779	641653

STE TE Connectivity
MTA-100 CONNECTOR ASSEMBLY, 22 AWG, FOR .014 TO .020 POST, SPECIAL
108-1050
APPLICATION SPEC
114-1019
RESTRICTED TO
CUSTOMER DRAWING SCALE 8:1 SHEET 1 OF 1 REV G