

DATENBLATT / DATA SHEET

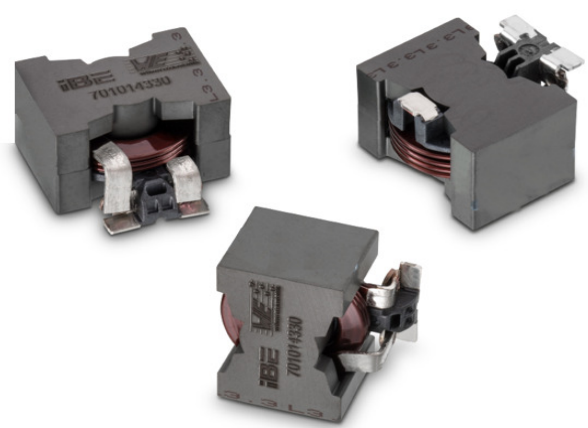
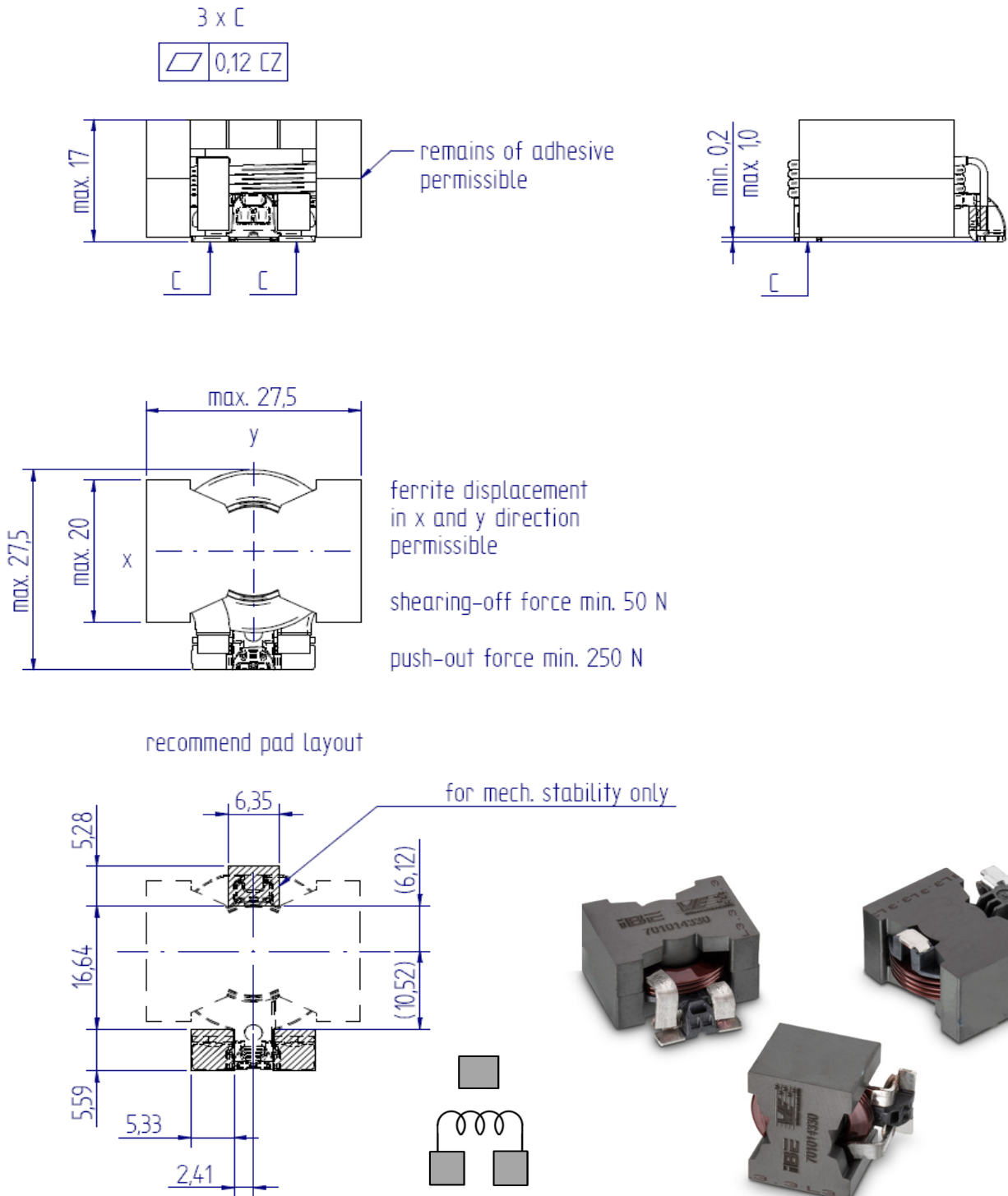


Bezeichnung: <i>description:</i>	WE-FLAT-I®		Page:	1 / 3
Kunden Zg. Nr.: <i>customer drawing no.:</i>	N/A	WE iBE Bauteile-Nr.: <i>WE iBE component no.:</i>	701 014 330	
DRW Referenz-Nr.: <i>DRW reference no.:</i>	N/A	Ausgabedatum: <i>release date:</i>	11.04.2017	

Product values:



Mechanical Dimensions (in mm):



- Zeichnung nicht maßstabsgetreu, alle Maße in mm / Drawing not scaled, all dimensions in mm
 - Das abgebildete Produktfoto kann von der gewählten Produktvariante abweichen / The pictured product may not correspond to the selected product configuration

DATENBLATT / DATA SHEET

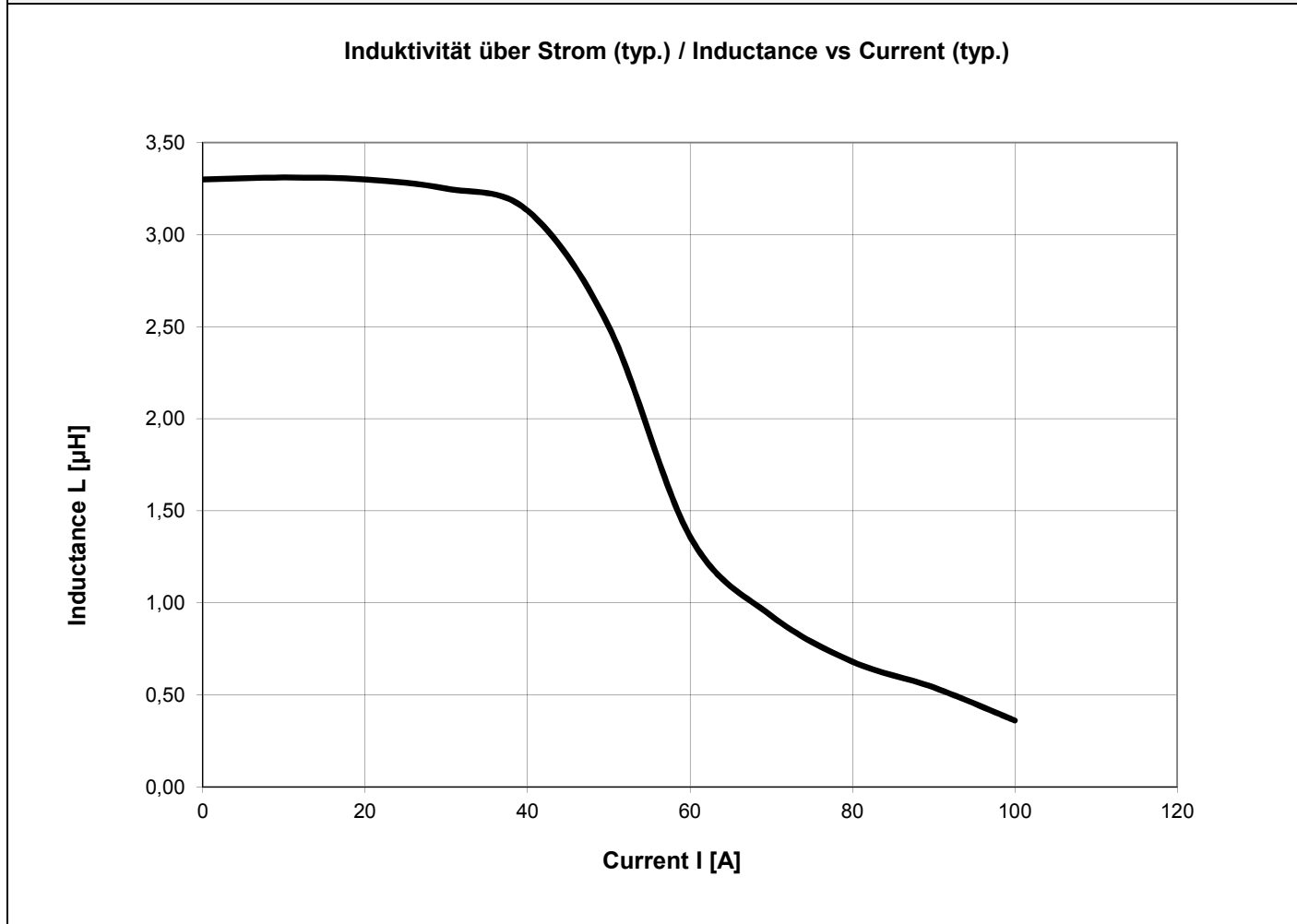


Bezeichnung: description:	WE-FLAT-I®		Page:	2 / 3
Kunden Zg. Nr.: customer drawing no.:	N/A	WE iBE Bauteile-Nr.: WE iBE component no.:	701 014 330	
DRW Referenz-Nr.: DRW reference no.:	N/A	Ausgabedatum: release date:	11.04.2017	

Electrical Specification:					
Parameter	@	Value	Tolerance	Unit	Test Condition
Induktivität L_0 : <i>Inductance L_0:</i>	20°C	3,3	±15%	µH	100 kHz / 500 mV
DC-Widerstand R_{DC} : <i>DC resistance R_{DC}:</i>	20°C	1,1	±10%	mΩ	
I_R		35	max.	A	40 K self heating
I_{sat}		40	typical	A	$ \Delta L/L < 10\%$
Betriebstemperatur: <i>Operating temperature:</i>		-40 to +150°C		°C	including self heating

Spule: <i>Coil:</i>	according to DIN EN 60317-29
Lötpad: <i>Solder pad:</i>	Surface finish material: 100% Sn, no Ni layer
Kern: <i>Core:</i>	PQ26/16 - Ferrite Material: MnZn
Klebung: <i>Glueing:</i>	coil and spacer securely fixed to core
Product remarks & Applicable documents	Solvents may influence the product marking Cutting area untinned Three-points fixation on PCB ISM0100010 (General storage conditions) ISM0100011 (General processing recommendations) IS60100017 (Failure catalog WE-PQ cores)

Inductance vs. Current (typical):

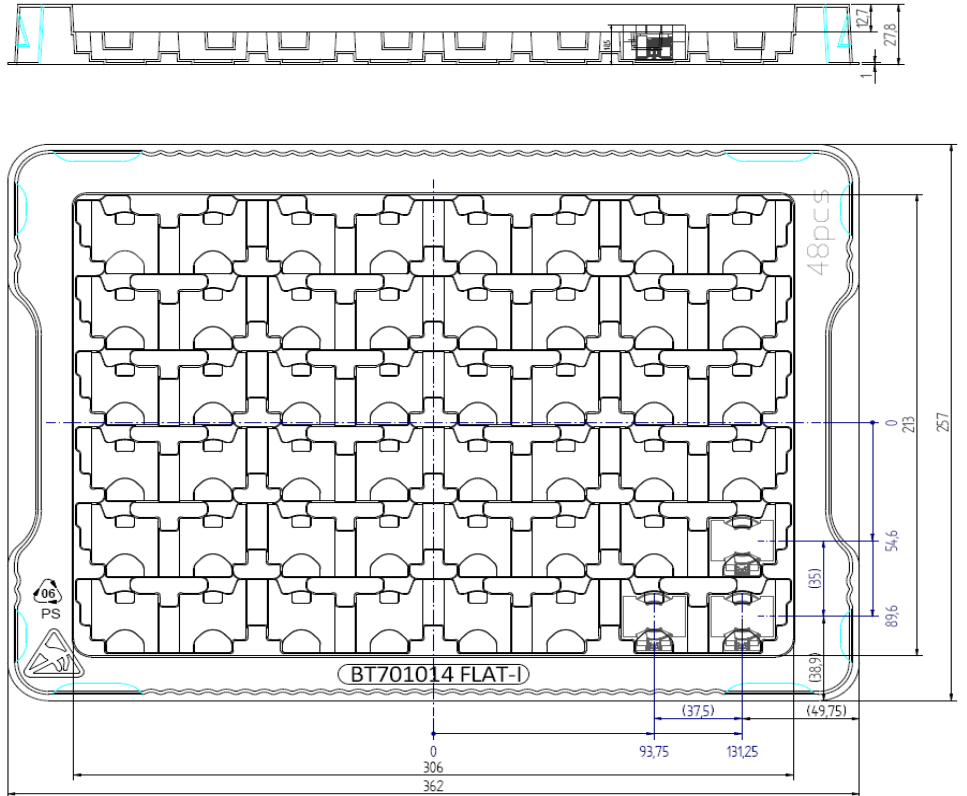


DATENBLATT / DATA SHEET



Bezeichnung: <i>description:</i>	WE-FLAT-I®		Page:	3 / 3
Kunden Zg. Nr.: <i>customer drawing no.:</i>	N/A	WE iBE Bauteile-Nr.: <i>WE iBE component no.:</i>	701 014 330	
DRW Referenz-Nr.: <i>DRW reference no.:</i>	N/A	Ausgabedatum: <i>release date:</i>	11.04.2017	

Packaging specification:



packaging unit:

48 pieces per tray (BT701014 FLAT-I)
 5 trays per cardboard box (4 filled + 1 empty)
 192 pieces per cardboard box

loading unit:

Europallet 1200 x 800 x 160 mm
 40 cardboard boxes per pallet
 7680 pieces per pallet

Label specification:



Customer: XXXXX
 Part No.: XXXX
 Quantity: XXXX
 Date Code: YYYYMMDD
 Exp. Date: YYYYMMDD
 Man. Part No.: 701014XXXX
 Part Name: WE-FLAT-I® Flat Wire Power Inductor SMD PartSize
 Purchase: XXXXXX
 Ordering Code: 701014XXXX
 Supplier Name: Würth Elektronik iBE
 Shipping Note: XXXXXXXX
 Index: XXXXXX

Customer Name: XXXXX
 Supplier-ID: XXXX
 Package-ID: SXXXXXXXX011
 1. Batch: XXXXXXXX
 2. Batch: XXXXXXXX
 Man-Loc.: CZE-BUDWEIS
 Suppl.Data: XXXX
 MSL: 1



Remark:

The component has not been developed and is not intended for safety-relevant applications. A use in safety-relevant applications requires a separate written approval by Würth Elektronik iBE GmbH

Do not use the product beyond the nominal rated current as this may create excessive heat and will void the warranty

Components free from grease, oil, silicone, stamping agents or hand creme

Components have to comply RoHS and REACH

Support of IMDS data base

Customer:
 General release:

Date

Signature