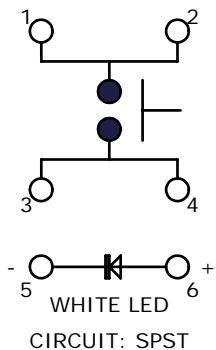
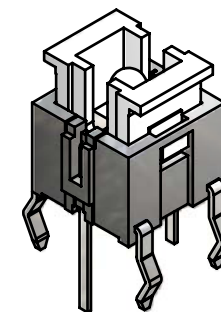
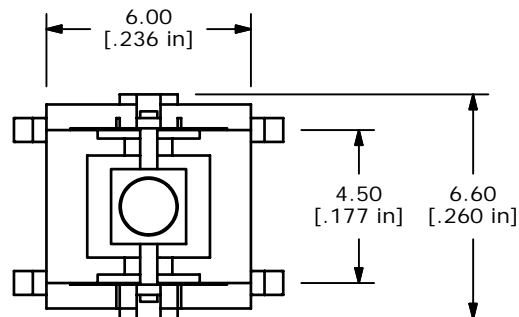


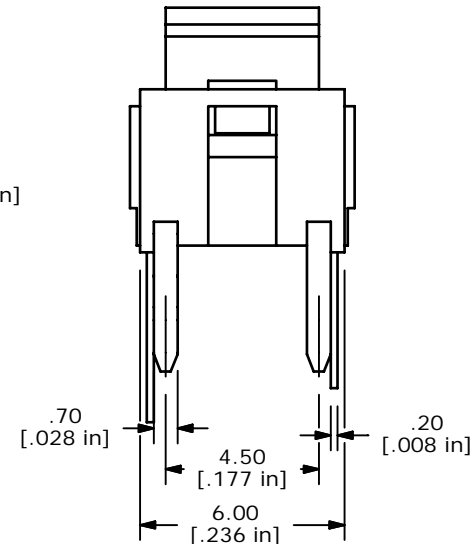
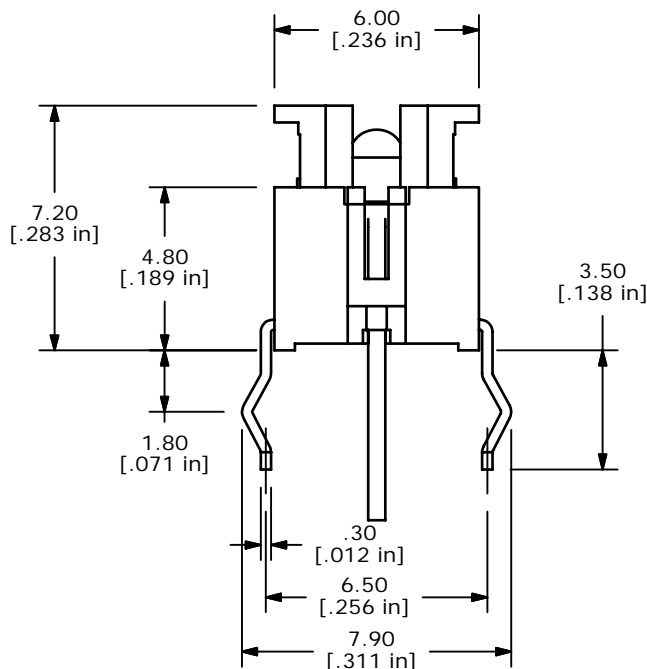
P.C.B. LAYOUT



LED SPECS	UNITS	WHITE
FORWARD CURRENT	mA	20
FORWARD VOLTAGE @20mA	V	3.7
LUMINOUS INTENSITY@20mA	MCD	80



ISOMETRIC



NOTES:

1. ALL DIMENSIONS IN MM
2. GENERAL TOLERANCE: X.X=±0.4
X.XX=±0.25
3. RATING: 50mA, 12VDC
4. TRAVEL: 0.25 +0.2/0.1mm
5. OPERATING FORCE: 160±50gf
6. CONTACT RESISTANCE: 100mILLI-Ohms Max
7. PACKAGE: POLYBAG/1,000 PIECES PER
8. 2002/95/EC (ROHS) COMPLIANT



B	17383	FIXED INTENSITY	6/13/07	TN
A	17367	RELEASED FOR PRODUCTION	6/13/07	TN
REV	PCR NO	DESCRIPTION	DATE	BY

TITLE TL1240WQ				
SCALE	DATE	DR	DWG	REV
4.5:1	6/13/2007	TN	P010420	B

THE INFORMATION CONTAINED IN THIS DOCUMENT IS PROPRIETARY TO E-SWITCH AND IS NOT TO BE COPIED OR TRANSFERRED