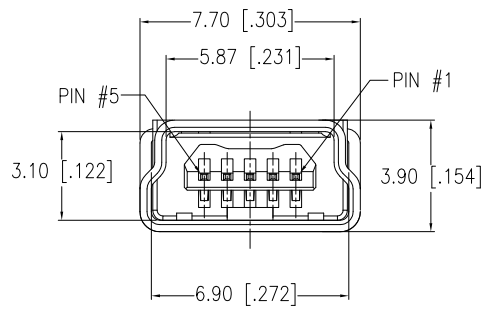
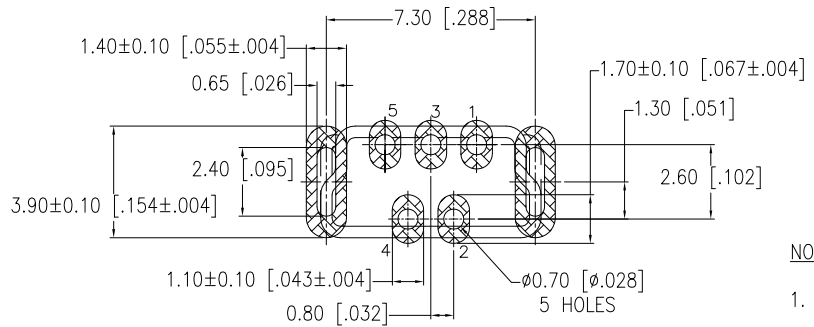


| REVISIONS |      |                         |          |        |
|-----------|------|-------------------------|----------|--------|
| SYM       | ZONE | ECN, ERN NO.            | DATE     | APPRD. |
| B         |      | PRODUCT DWG (EAR 14195) | JUN07/13 | K.L.   |
| C         |      | PRODUCT DWG (EAR 14206) | JUN19/13 | K.L.   |



FRONT VIEW



RECOMMENDED P.C.B. LAYOUT  
(COMPONENT SIDE OF BOARD)  
TOLERANCE: ±0.05mm

NOTES:

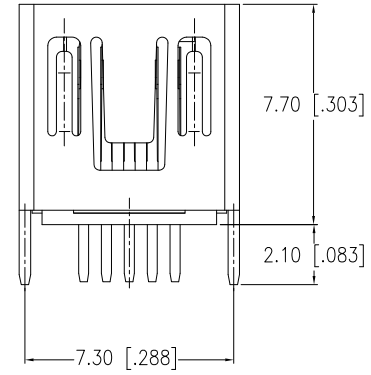
- MATERIALS:**

**HOUSING:** HIGH TEMPERATURE PLASTIC, OR PBT  
FLAMMABILITY UL94V-0.

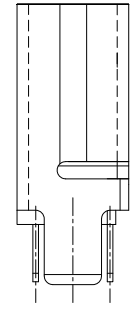
**CONTACTS:** COPPER ALLOY,  
PLATING: GOLD ON MATING AREA (SEE AMPHENOL PART NO. OPTION).  
MATTE TIN OR GOLD FLASH ON CONTACT TAILS.  
NICKEL UNDERPLATE.

**SHELL:** COPPER ALLOY,  
NICKEL.

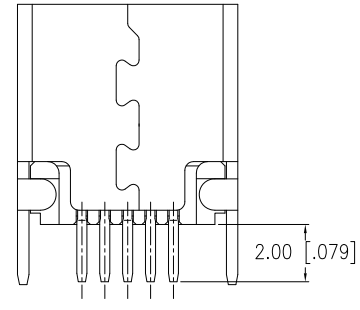
2. OPERATING TEMPERATURE: -40°C TO +105°C



TOP VIEW



SIDE VIEW



BOTTOM VIEW

AMPHENOL PART NO.: UE25 - BEX5 - 10X

SERIES \_\_\_\_\_  
UE25=MINI USB RECEPTACLE

TYPE \_\_\_\_\_  
B=SERIES B

STYLE \_\_\_\_\_  
E=TOP ENTRY

CONTACT PLATING \_\_\_\_\_  
5=30µ" [0.76 MICRONS] GOLD PLATING  
ON CONTACT MATING AREA  
7=GOLD FLASH OVER NICKEL ON CONTACT  
MATING AREA.

MODIFIER  
0=PBT  
H=HIGH TEMP MATERIAL (<260°C)

SHIELD OPTIONS  
0=WITHOUT REAR SHELL

COLOUR  
1=BLACK

NUMBER OF CONTACTS  
5=5 CONTACTS

|   |                                 |                        |
|---|---------------------------------|------------------------|
| UNLESS OTHERWISE SPECIFIED TOLERANCES ARE +0.30mm | DRAWN <i>HUILAN WANG</i>        | DATE <i>APR 25, 08</i> |
|   | DESIGNED <i>MT CHEN</i>         | DATE <i>APR 25, 08</i> |
|   | CHECKED <i>L.CHAN</i>           | DATE <i>APR 25, 08</i> |
|   | I. E. APPRD.                    |                        |
|   | Q. A. APPRD.                    |                        |
|   | DWG. APPRD. <i>K.LAMBIE TBD</i> |                        |
| ENG. REL. NO.                                     |                                 |                        |
| REF.  |                                 |                        |
| DIMENSIONS ARE IN _____                           | CODE ID. NO. _____              |                        |
| MM [INCHES]                                       | 03554                           |                        |

|  |                                |             |
|--|--------------------------------|-------------|
| Amphenol Canada Corp.  |                                |             |
| TITLE<br>UNIVERSAL SERIAL BUS MINI-B RECEPTACLE, VERTICAL PCB TAIL, ROHS COMPLIANT |                                |             |
| DWG<br>C   | DRAWING NO.<br>P-UE25-BEX5-10X | REV.<br>C   |
| SCALE 3/1  | WT. _____                      | SURF. _____ |
| SHEET 1 OF 1   |                                |             |

THIS DOCUMENT CONTAINS PROPRIETARY INFORMATION AND SUCH INFORMATION MAY NOT BE DISCLOSED TO OTHERS FOR ANY PURPOSE OR USED FOR MANUFACTURING PURPOSES WITHOUT WRITTEN PERMISSION FROM AMPHENOL CANADA CORP.