

THIS DRAWING IS UNPUBLISHED.

RELEASED FOR PUBLICATION

ALL RIGHTS RESERVED.

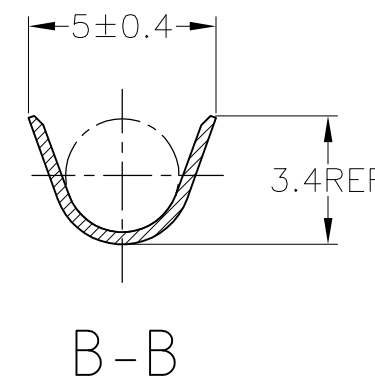
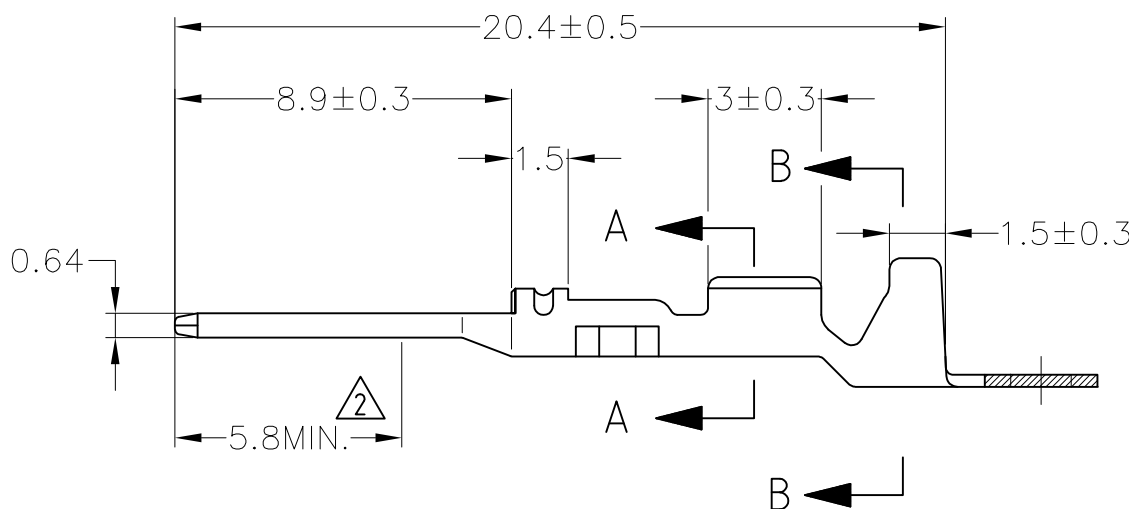
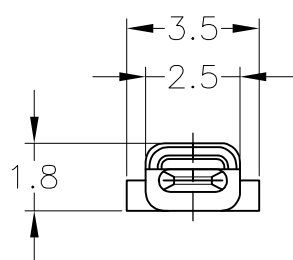
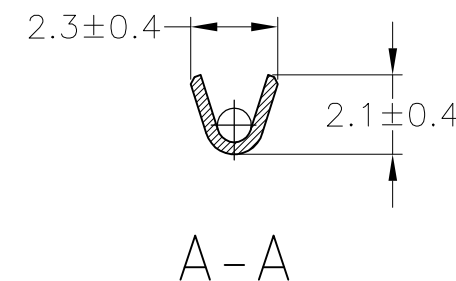
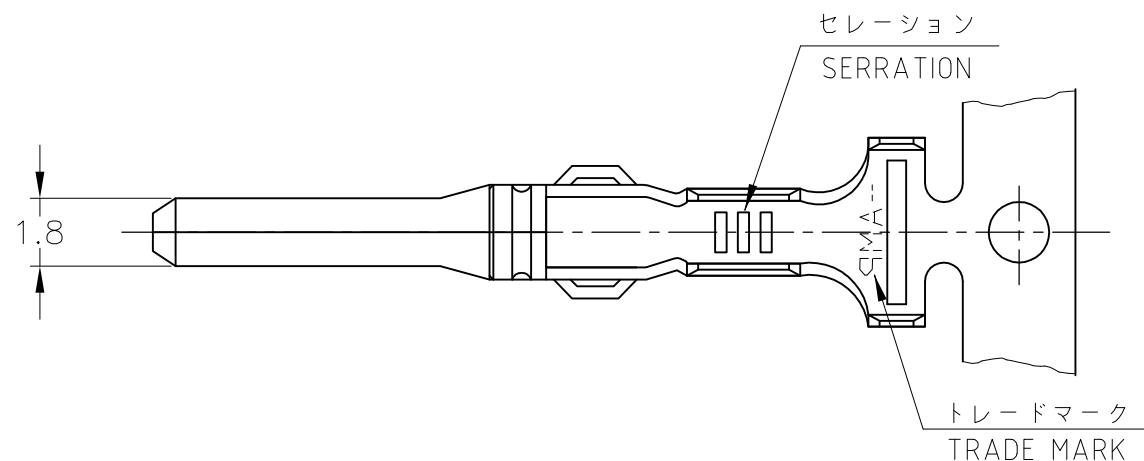
© COPYRIGHT - By -

LOC J

DIST -

REVISIONS

P	LTR	DESCRIPTION	DATE	DWN	APVD
	C1	REVISED PER ECO-11-005140	31MAR11	RK	HMR



1. 嵌合相手端子型番 : 171630  
 △部分金めっき

1. RECEPTACLE CONTACT : 171630  
 △SELECTIVE GOLD PLATING

△部分金めっき SELECTIVE GOLD PLATING	BRASS 板厚0.32 黄銅 板厚0.32	171631-2	2
△錫めっき済 PRE-TIN (0.76μm MIN.)	BRASS 板厚0.32 黄銅 板厚0.32	171631-1	1
FINISH 仕上	MATERIAL 材料	PN 型番	ITEM No. 項番

WIRE RANGE  
抱合電線断面積 AV,AVS  
0.2-0.5mm<sup>2</sup> (AWG #24-#20)

INSULATION DIA  
被覆外径 1.4-2.4

THIS DRAWING IS A CONTROLLED DOCUMENT.

DIMENSIONS: 単位: 耗 mm	TOLERANCES UNLESS OTHERWISE SPECIFIED: 一般公差
	0 PLC ± - 1 PLC ± - 2 PLC ± - 3 PLC ± - 4 PLC ± - ANGLES ± -
MATERIAL 材料	FINISH 仕上

一般公差 (GENERAL TOLERANCE)	
10以下	±0.2
10を超え 30以下	±0.25
30を超え 100以下	±0.3
角度	±3°

SEE TABLE  
表参照

SEE TABLE  
表参照

DWN T.SHINOHARA	27JUN01
CHK K.BETSUI	27JUN01
APVD K.BETSUI	27JUN01
PRODUCT SPEC 製品規格	-
APPLICATION SPEC 取付適用規格	114-5082
WEIGHT	0.35 g

TE Connectivity		NAME 名称	
		ECONOSEAL J-MARKII+ CONNECTOR TAB CONTACT	
SIZE	CAGE CODE	DRAWING NO 番号	RESTRICTED TO
A3	00779	C-171631	-

CUSTOMER DRAWING	SCALE 尺度 5:1	SHEET 1 OF 1	REV C1
------------------	-----------------	-----------------	-----------