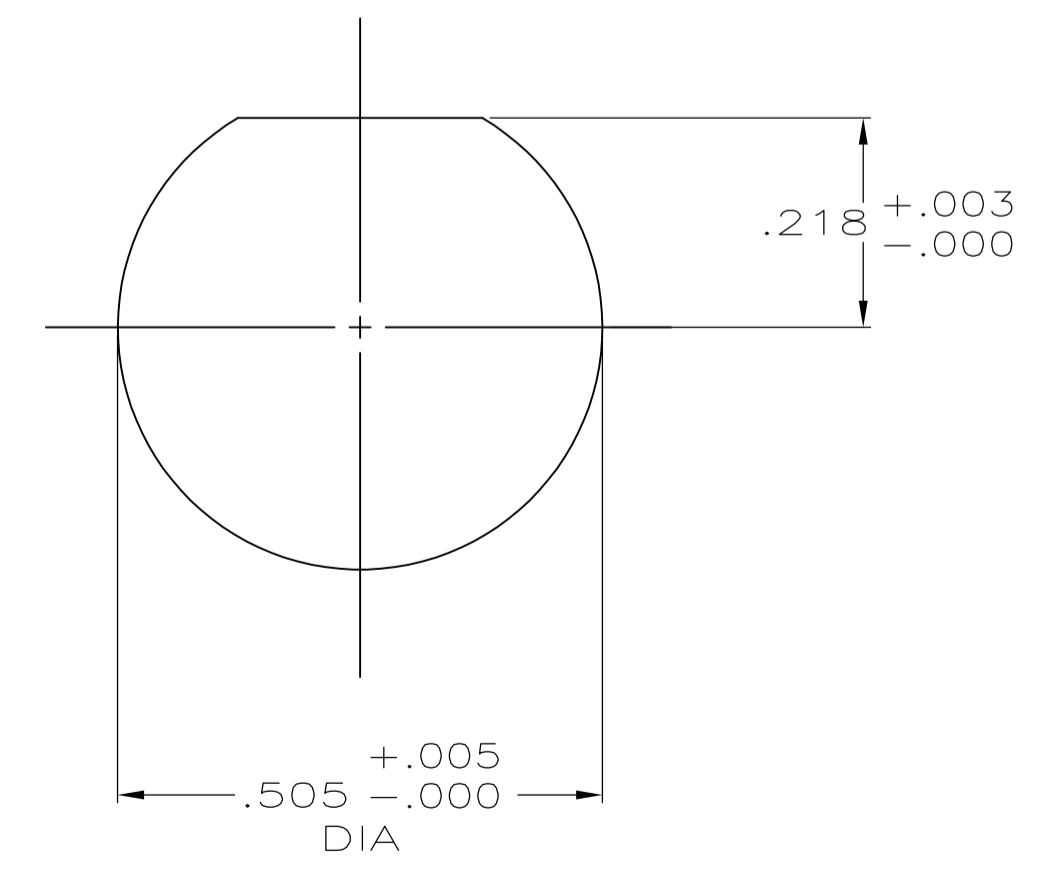
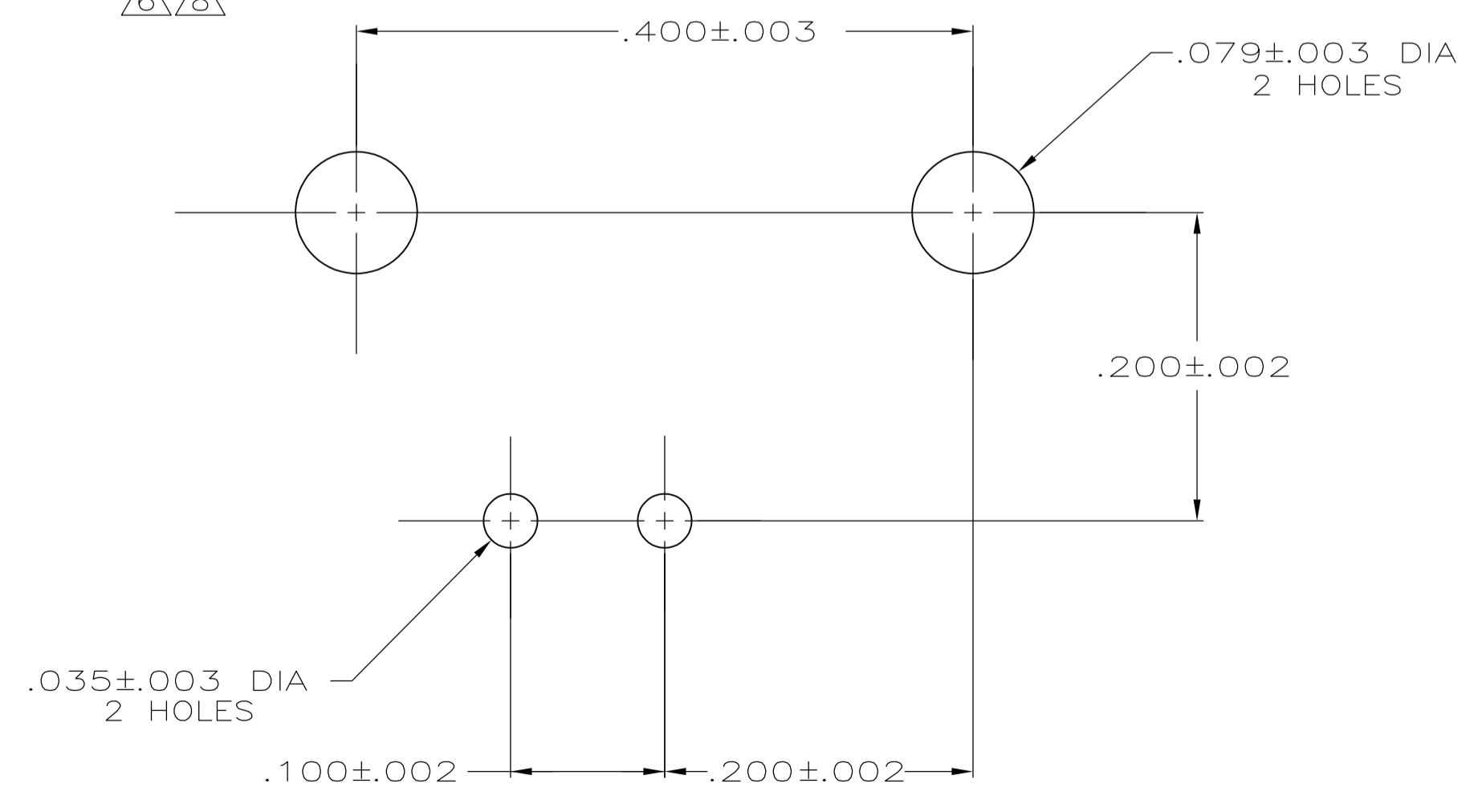
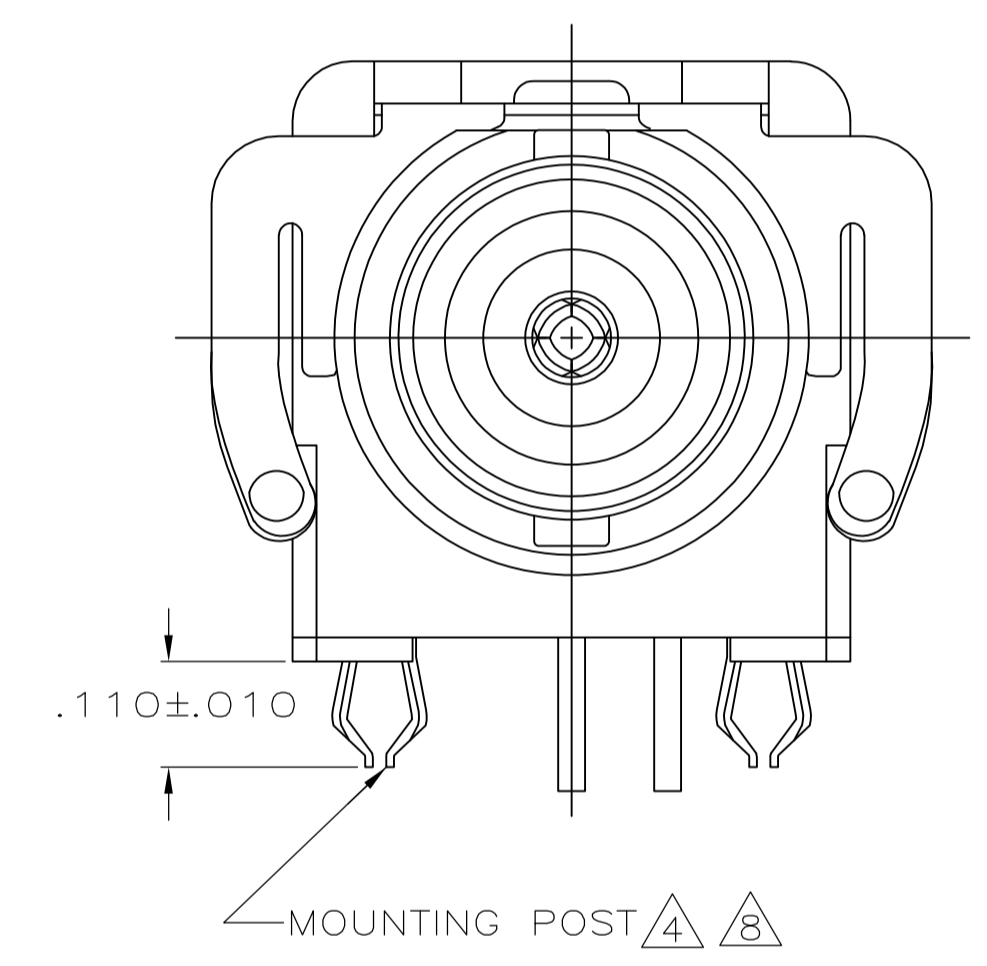
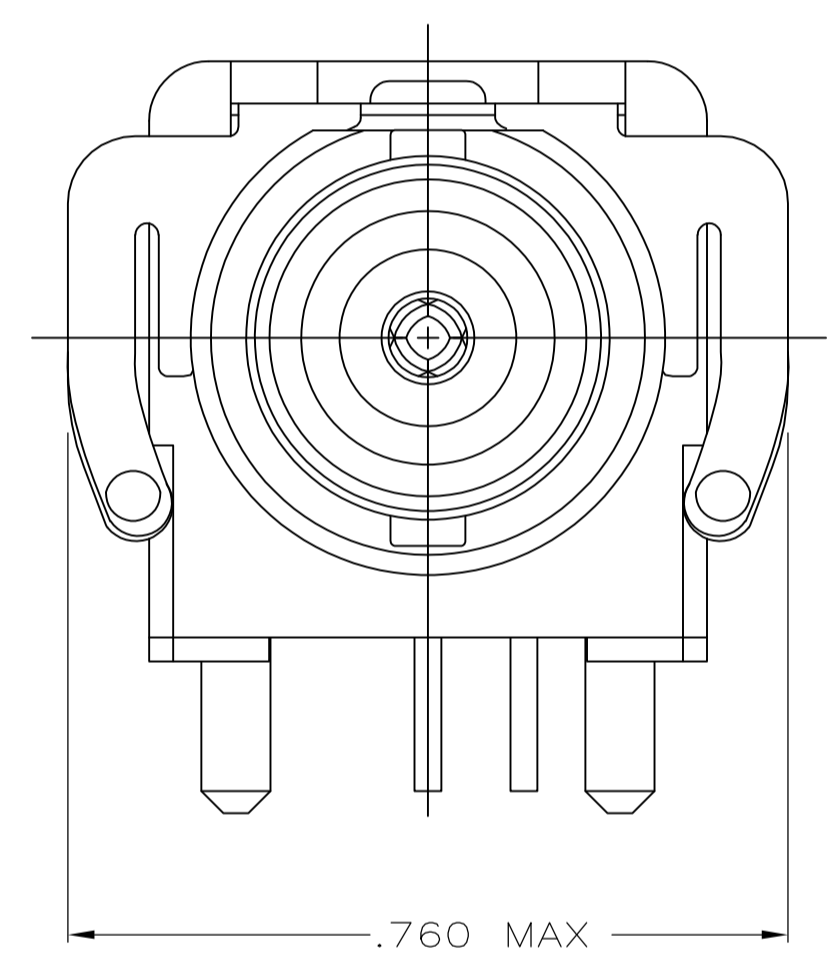
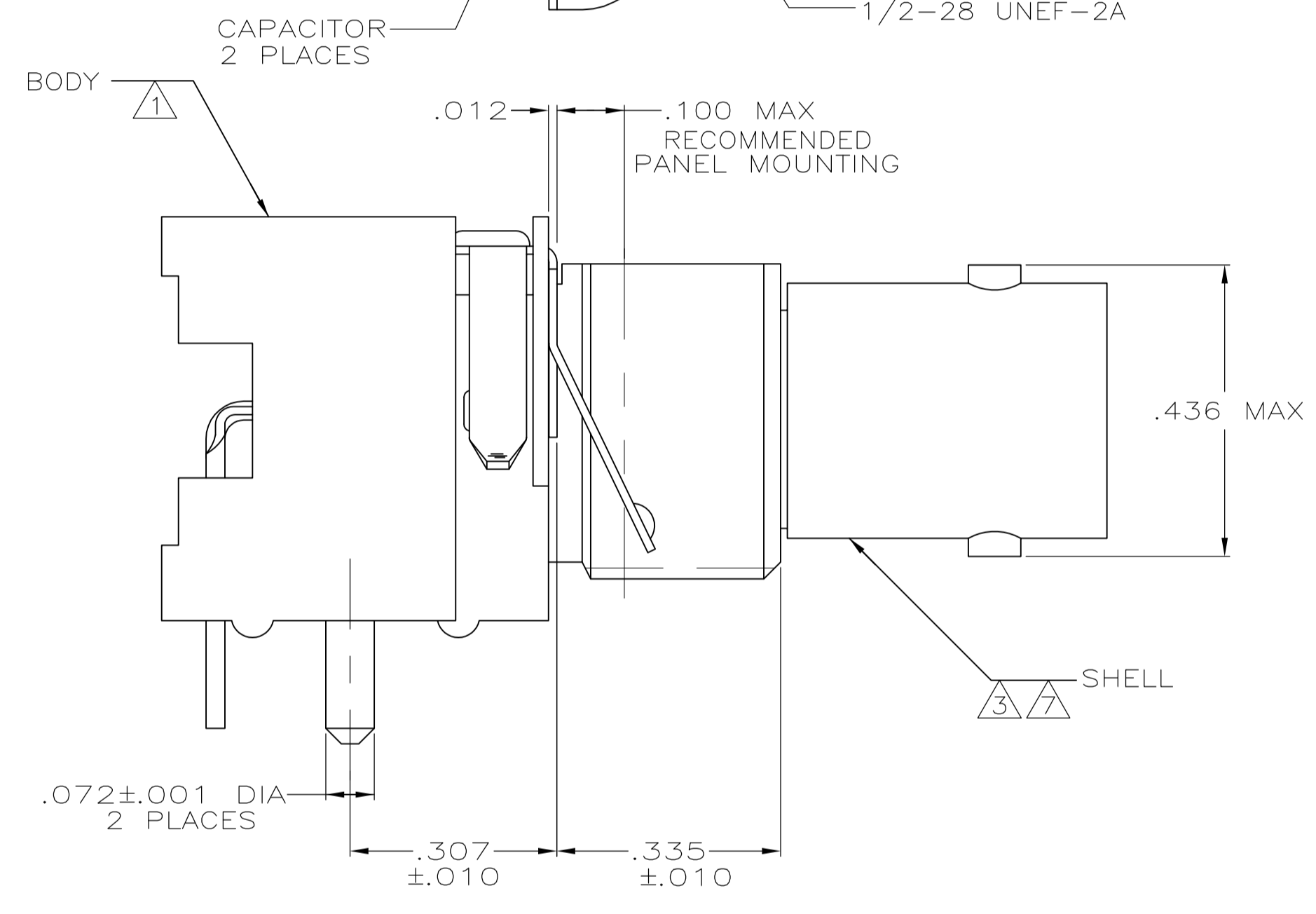
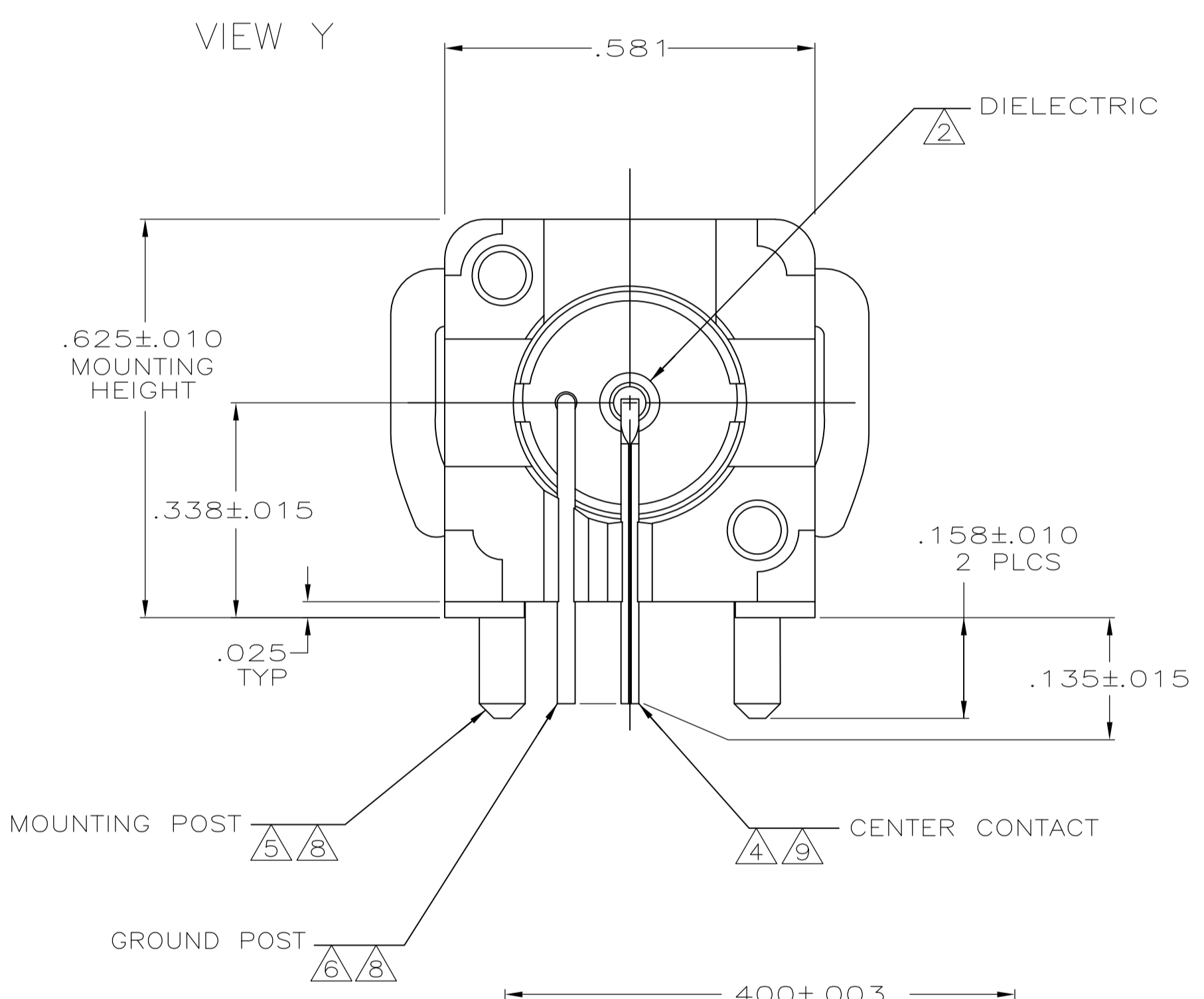


- 1 POLYESTER, PBT, BLACK, PER MIL-M-24519
- 2 POLYMETHYLPENTENE, GENERAL PURPOSE
- 3 ZINC PER QQ-Z-363
- 4 PHOSPHOR BRONZE PER QQ-B-750
- 5 BRASS PER ASTM-B-16
- 6 BRASS PER ASTM-B-453
- 7 NICKEL PL PER QQ-N-290
- 8 TIN PL PER ASTM-B-545
- 9 SELECTIVELY GOLD PLATED ON INTERFACE AREA PER ASTM-B-488, .000030 THK, TIN PLATED ON SOLDER TAIL PER ASTM-B-545, ALL OVER NICKEL PL PER QQ-N-290



P.C.B. CONFIGURATION  
SCALE=10:1

RECOMMENDED  
PANEL CUTOUT

VIEW Z	VIEW X	9400 pf, 1500 VDC	5413524-5
VIEW X OR Y	VIEW X	9400 pf, 1500 VDC	5413524-2
MOUNTING POST	CLIP	CAPACITANCE & VOLTAGE	PART NUMBER

THIS DRAWING IS A CONTROLLED DOCUMENT.		DIN L VARELA - DOCKS 22APR2005	Tyco Electronics Corporation Harrisburg, PA 17105-3608	
DIMENSIONS: INCHES		CHK J. HAVENER 22APR2005	NAME Tyco Electronics	
TOLERANCES UNLESS OTHERWISE SPECIFIED:		APVD J. LIPPERT 22APR2005	PRODUCT SPEC 108-1269	
0 PL ± -		APPLICATION SPEC		
1 PL ± -		SIZE		
2 PL ± -		CAGE CODE		
3 PL ± .008		DRAWING NO		
4 PL ± -		WEIGHT		
ANGLES ± -		A1 00779 C=5413524		
MATERIAL THRU	FINISH	CUSTOMER DRAWING		RESTRICTED TO
1	6	SCALE 5:1		SHEET 1 of 1
7	8	REV B		