

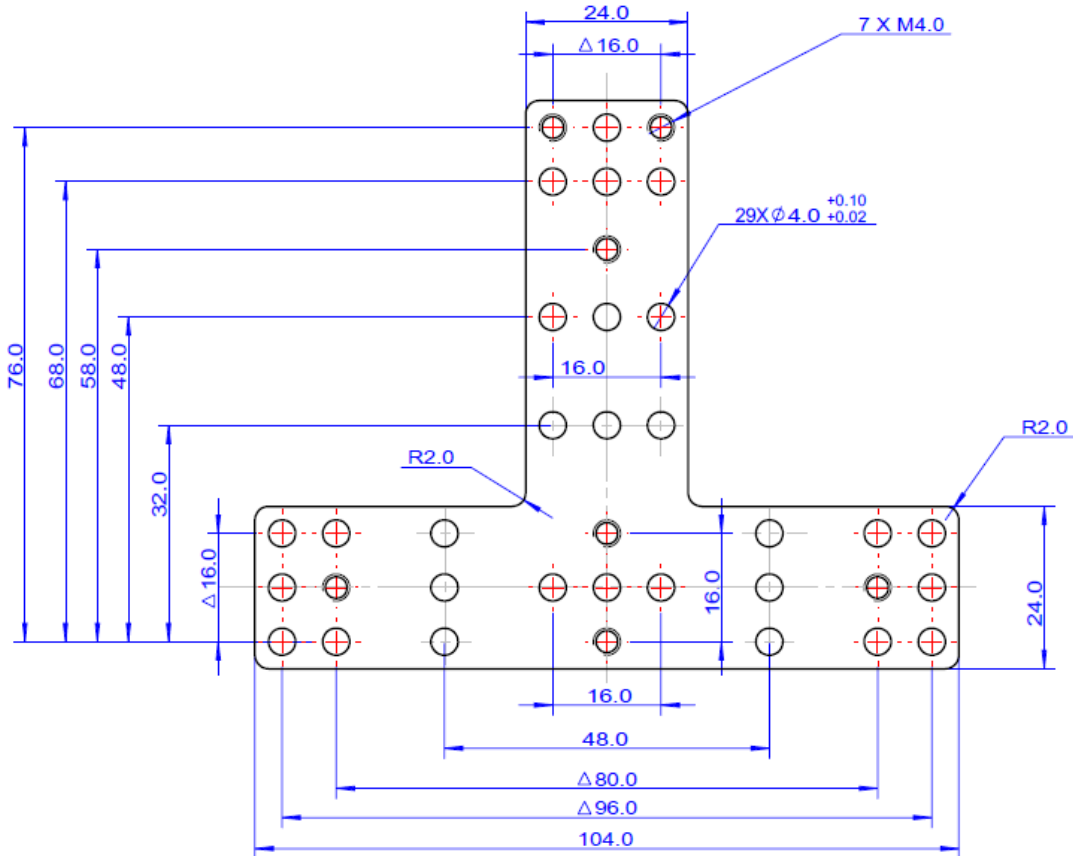
# Plate T-type

SKU: 61412 Weight: 26.00 Gram

## Plate T-type

Plate T-type is one of Makeblock parts for DIY. It is made of 6061 aluminum alloy with Aluminum extrusion technology. Compatible with all Makeblock parts, it can be used to build various structures. And it also helps to install and fix the case of Auriga in mBot Ranger – see the building example below.

# Size Charts



## Specifications

SKU	61412
Product Dimensions	104x84x3mm (4.10x3.31x0.12 inch)
Net Weight	16g (0.56oz)
Color	Blue

# DEMO

