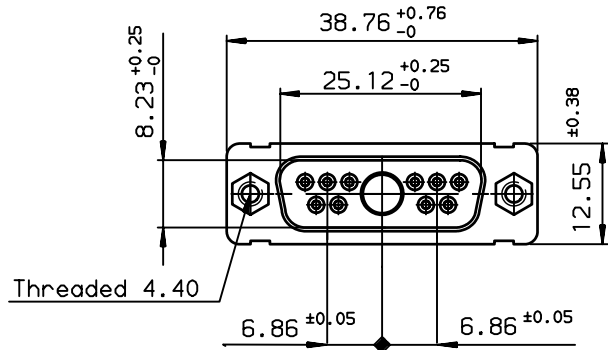


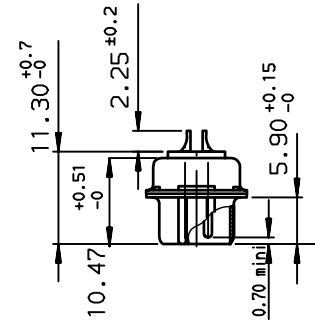
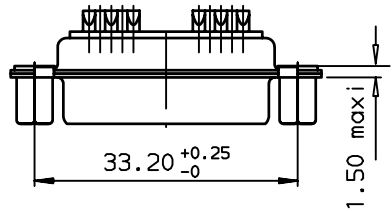
A

A



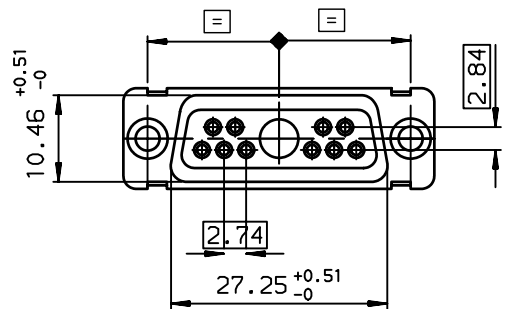
B

B



C

C



DAV11W1P043A00LF
PART NUMBER

GENERAL CHARACTERISTICS AND ROHS INFORMATIONS:
SEE DRAWING C01-8639-0000

European Views

www.fciconnect.com		surface ISO 1302	<input checked="" type="checkbox"/>	tolerance std ISO 406 ISO 1101	projection 	mm
TOLERANCES UNLESS OTHERWISE SPECIFIED						
Dr	JARRY	2005/12/01	ANGULAR	0.X	±0.1	size A3
Eng	PESSON	2005/12/01	LINEAR	0.XX	±0.1	Scale 1.5
Chr	LEGARE	2005/12/01	0.XX' ±2'	0.XXX	±0.1	ECN LS06-0095
Appr	LEGARE	2005/12/01	Product family	D-SUB		Spec ref -
		PIN CONNECTOR FOR POWER CONTACT.			dwg no C01-8639-2256	Rev. B
catalog no		-			CUSTOMER	sheet 1 of 1

rev	ecn no	dr	date
A	LS05-0106	MPE	2005/12/01
B	LS06-0095	LGO	2006/06/16
-	-	-	-
-	-	-	-
-	-	-	-
-	-	-	-



Copyright FCI.

D

D