

GPS Module
SMD type (without Antenna)

GYSFFMAXB

Data Report

GYSFFMAXB

Document constituent list

Control name	Control No.	Document Page
General Items	HD-AG-A	1/4 - 4/4
Absolute maximum ratings	HD-AM- A	1/1
Electrical characteristics	HD-AE- A	1/4 - 4/4
Electrical characteristics	HD-AE- B	1/1
Electrical characteristics	HD-AE- C	1/1
Circuit schematic	HD-MC- A	1/1
Outline / Appearance	HD-AD- A	1/3 - 3/3
Pin Layout	HD-BA-A	1/2 - 2/2
Handling Precaution	HQ-BA-523	1/3 - 3/3
Packaging Specification	HD-BB-A	1/3 - 3/3

Rev. record

09-May-2012	Ver.1.0	
24-May-2012	Ver.1.1	Change Operating and Storage Temperature Range.
17-Jul-2012	Ver.1.2	Change Module P/N
12-Oct-2012	Ver.1.3	Change lcc _bk1 max 60uA (on page 8)
30-Jan-2013	Ver1.4	Change description(29Pin, on Page 19)
28-Nov-2013	Ver1.5	Change description(27Pin, on Page 19)
15-Mar-2015	Ver1.6	Change description(on page18,19) Change Handling precaution(on page 20,21,22)

GYSFFMAXB

Control No. HD-AG-A	(1/4)	Control name General Items
------------------------	-------	-------------------------------

(1)Scope

This specification ("Specification") applies to the hybrid IC " GYSFFMAXB "for use GPS module(" Product") manufacture by TAIYO YUDEN Co., Ltd.("TAIYO YUDEN")
Please be noted that the product code shall be changed in mass production stage.

1)User's code : GYSFFMAXB

(Please state this code to order this product.)

2)Function • Features :

- GPS Module (L1 : 1575.42MHz C/A code)
- 22 tracking / 66 acquisition – channel GPS receiver
- 12 multi-tone Active Interference Canceller (AIC)
- Support multi-GNSS, QZSS, SBAS (WAAS / EGNOS / MSAS / GAGAN)
- Additional Features: (to be supported with firmware change)
 - AlwaysLocate™ Advanced location awareness technology
 - EPO™ / HotStill™ orbit prediction
 - EASY™ self-generation orbit prediction
 - Logger function support
- Interface: UART
- Ultra Low Power Consumption
- Embedded High-performance electrical parts:LNA, TCXO, RTC, SAW_FL

3)Application : General Consumer Devices

4)Structure: Hybrid IC loaded with silicon & GaAs monolithic semiconductor

Propriety of Pb free Packaging by customer (thermal resistance) : Available

5)Outline : 10.0mm(typ)×10.8mm(typ)×2.05mm(max) 46 Pin Leadless chip-carrier

6)Marking : Parts Name & Lot Number

7)Packing : Tape & Reel (MP)

GYSFFMAXB

Control No. HD-AG-A	(2/4)	Control name General Items
------------------------	-------	-------------------------------

8) Notes:

a. Limitation of Warranty

- i) TAIYO YUDEN provide warranties only if the Products is operated under the condition set forth in this Specification. Please note that TAIYO YUDEN shall not be liable for any defect and/or malfunction arising from use of the Product under the terms and conditions other than the operating conditions hereof. In addition when this Product is used under environmental conditions such as over voltage which are not guaranteed, it may be destroyed in short mode. To ensure the security of customer's product, please add an extra fuse or/and a protection circuit for over voltage.
- ii) This Product is designed for use in products which comply with GPS Specifications. TAIYO YUDEN disclaims and is not responsible for any liability concerning infringement by this Product under any intellectual property right owner by third party in case the customer uses this Product in any product which does not comply with GPS Specifications (the "non-complying products"). Furthermore, TAIYO YUDEN warrants only that this Product complies with this Specification and does not grant any other warranty including warranty for application of the non-complying products.
- iii) In some cases, TAIYO YUDEN may use replacements as component parts of Products. Such replacement shall apply only to component part of Products, which TAIYO YUDEN deems it possible to replace or substitute according to (i)scope of Warranty provided in this specification(e.g. Electric Characteristics, Outline, Dimension, Conditions of Use, Reliability Tests, Official Standard(Type Approvals etc.))and (ii)Quality of Products. TAIYO YUDEN also ensure traceability of such replacement on production lot basis.

b. Introduction for Use(CAUTION)

- i) Because Product is not designed for radiation durability, please refrain from exposing product to radiation in the use.
- ii) Communication between this Product and other might not be established nor maintained depending upon radio environment or operating condition of this Product and other products with GPS technology.
- iii) This Product mentioned in this Specification is manufactured for use in general consumer devices. Before using this Product in any special equipment(such as medical equipment, space equipment, air craft, disaster prevention equipment),where higher safety and reliability are duly required, the applicability and suitability of this Product must be fully evaluated by the safety function of this Product even for use in general electronics equipment shall be thoroughly made and when necessary, a protective circuit shall be added in design stage, all at the customer's sole risk.

GYSFFMAXB

Control No. HD-AG-A	(3/4)	Control name General Items
------------------------	-------	-------------------------------

c. Terms of Support

- i) Customers are requested to fully check and confirm by the start of mass production of this Product that(1)no bug, defect or other failure is included in firmware incorporated in this Product("Incorporated Software"),(2)no bug, defect or other failure arising from installation of this Product in which is contained Incorporated Software into customer's product is included in Incorporated Software, and that Incorporated Software fully meets customer's intended use, although TAIYO YUDEN sufficiently inspects or verifies quality of Incorporated Software.
- ii) Please note that TAIYO YUDEN is not responsible for any failure arising out of bugs or Defects which you have not found in Incorporated Software prior to reaching an agreement of this Specification between customer and TAIYO YUDEN(including the bugs or defects found after customer's acceptance and evaluation).
- iii) In the case of customer requests TAIYO YUDEN to customize the hardware or firmware of this product in order to meet such customer's specific needs, TAIYO YUDEN will make commercially reasonable effort to modify such hardware or software at customer's expense; provide however, the customer is kindly requested to agrees it doesn't mean that TAIYO YUDEN has obligations to do so even in the case it is technically difficult for TAIYO YUDEN.
- i v) Any failure arising out of this Product will be examined by TAIYO YUDEN regardless of before or after mass production. Customer agree that once such failure is turned out not to be responsible for TAIYO YUDEN after aforesaid examination, some of the technical support shall be conducted by TAIYO YUDEN at customer's expense; provided however, exact cost of this technical support can be agreed though the negotiation by the parties.
- v) Do not alert hardware and/or firmware of this Product.
Please note that TAIYO YUDEN shall not be liable for any problem if it is caused by Customer's alteration of Hardware or/and Firmware without Taiyo Yuden's prior approvals.

GYSFFMAXB

Control No. HD-AG-A	(4/4)	Control name General Items
------------------------	-------	-------------------------------

d. Cautions for Export Control

This Product may be subject to governmental approvals, consents, licenses, authorizations, Declarations, filings, and registrations for export or re-export of the Product, required

By Japanese Foreign Exchange and Foreign Trade Law(including related laws and regulations) and/or any other country's applicable laws or regulations related to export control. In case you will export or re-export this Product, you are strongly recommended to check and confirm, before exporting or re-exporting, necessary procedures for export or re-export of this Products which is required by applicable laws and regulations, and if necessary, you have to obtain necessary and appropriate approvals or licenses from governmental authority at your own risk and expense.

e. Warranty

TAIYO YUDEN warrants only that this Product is in conformity with this Specification for One year after purchase and shall in no event give any other warranty.

The warranty period shall be one year.

f. Items mentioned in the specification

Any question arising from this specification shall be solved through mutual discussion by the parties hereof.

GYSFFMAXB

Control No. HD-AM-A	(1/1)	Control name Absolute maximum ratings
------------------------	-------	--

1.Maximum rating

Item	Symbol	MIN	TYP	MAX	Unit	Condition
Input voltage	VDD3V3	-0.3		4.3	V	Ta=25degrees-C
	VDD_BACKUP	-0.3		4.3		
	RESET, GIO/EINT, RX	-0.3		3.6		

2.Recommendation operating range

Item	Symbol	MIN	TYP	MAX	Unit	Condition
Operating input voltage	VDD3V3	3.0	3.3	4.3	V	
	VDD_BACKUP	2.0	3.3	4.3		
Supply voltage ripple and spike noise	VDD3V3			40	mV/p-p	
	VDD_BACKUP			40		
Operating temperature range	Topr	-30	25	85	degrees -C	Humidity Note1 =40%RH
Storage temperature range	Tstg	-30	25	85	degrees -C	Humidity Note2 =40%RH

Notes:

- Operating temperature range is set to satisfy products electrical characteristics in the short terms. In terms of product life cycle when it is used in condition of varying from TYP standard in the long term, please refer to the reliability condition.
- Storage temperature range is the condition for transportation and storage in temporary.

GYSFFMAXB

Control No. HD-AE-A (1/4)	Control name Electrical characteristics
---------------------------------	--

Electrical characteristics**DC Specifications**

The Specification applies for Topr.= 25 degrees-C, voltage=typical

No.	Parameter	Condition	Symbol	Min.	Typ.	Max.	Unit	Remark
1	Input Low Voltage	Rx, GIO/EINT,	VIL18	-0.18	-	0.4	V	IO=1.8V
2	Input High Voltage	RESET	VIH18	1.5	-	1.98	V	IO =1.8V
3	Output Low Voltage	Tx, GIO/EINT	VOL18	-0.18	-	0.4	V	IO=1.8V
4	Output High Voltage		VOH18	1.4	-	2.13	V	IO =1.8V
5	Current MAIN	VDD3V3 Current Consumption (Average)	lcc_Ac	-	19	35	mA	Acquisition (EASY enable)
			lcc_Tr	-	16	35	mA	Tracking (EASY enable)
6	Current BK	VDD3V3_BACKUP Current Consumption	lcc_bk1	-	6	60	uA	Backup (VDD3V3=0 V)
			lcc_bk2	-	24	200	uA	Other mode

Note:

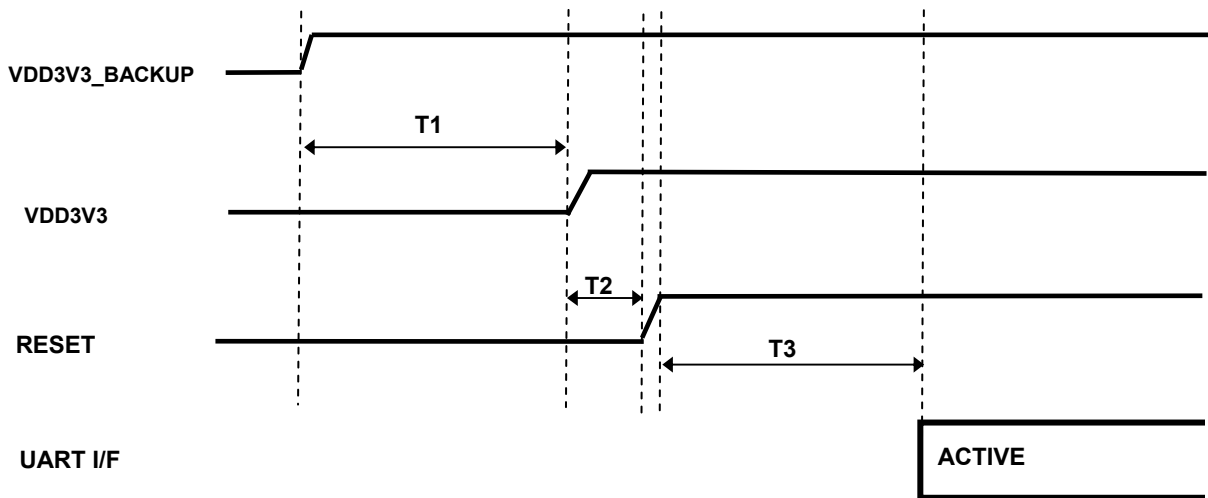
Please note that these electrical characteristics were measured under Taiyo Yuden evaluation environment.

Control No. HD-AE-A (2/4)	Control name Electrical characteristics
------------------------------	--

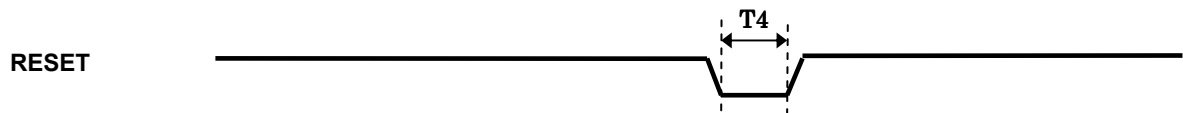
AC Specifications

The Specification applies for Topr . =25 degrees-C

No	Parameter	Condition	Symbol	Min	Typ	Max	Unit	Remark
1	Time from VDD3V3_BACKUP rise to VDD3V3 rise		T1	1000			ms	
2	Time from VDD3V3 rise to RESET rise		T2	100			ms	
3	Time from RESET High to Module Ready		T3			1500	ms	
4	RESET Pulse Width		T4	10			ms	After power on
5	Time from VDD3V3 fall (0.5V) to VDD3V3_BACKUP fall		T5	20			ms	
6	VDD3V3 fall time from 3.0V to 0.5V		T6	100			ms	
7	Time from RESET Low to VDD3V3 fall		T7	10			ms	
8	Inrush Current	VDD3V3	Icc_rush	-	-	400	mA	Note1



Power on timing

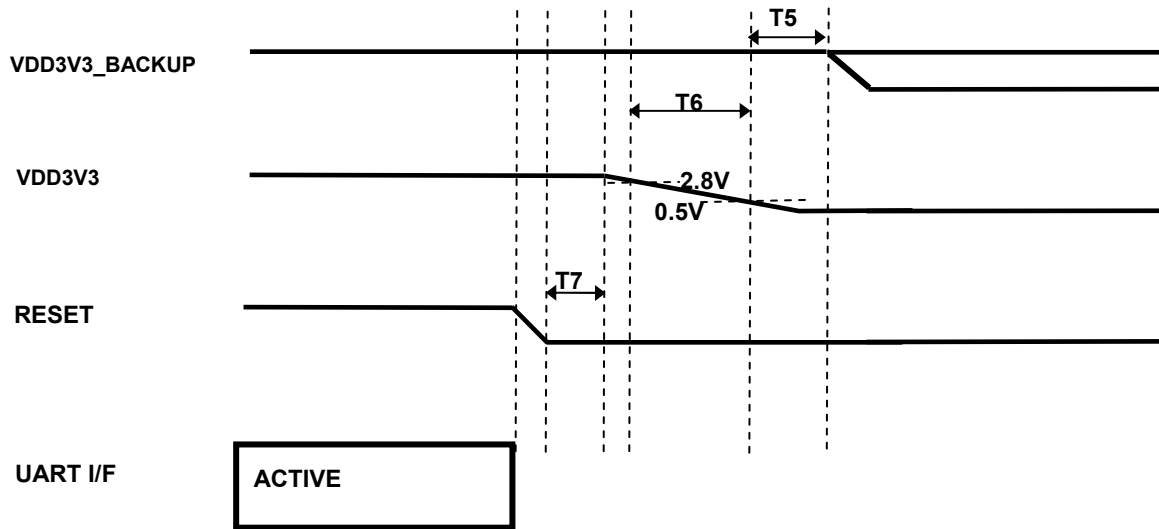


RESET Pulse Width

Note: UART I/F is not active during the assertion of RESET pin.

GYSFFMAXB

Control No. HD-AE-A	(3/4)	Control name Electrical characteristics
------------------------	-------	--

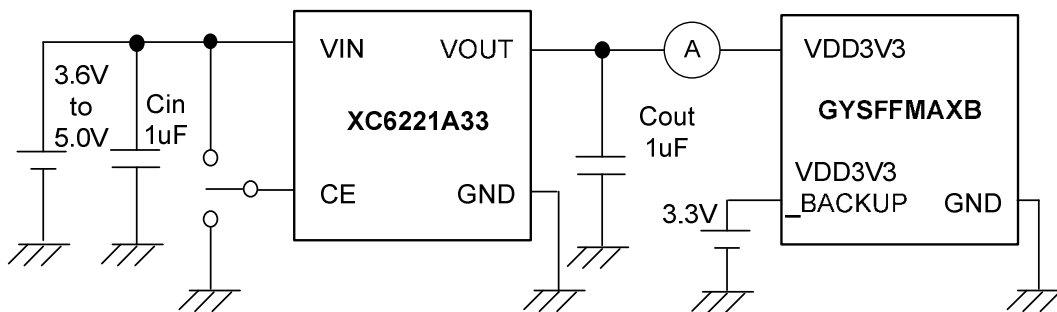


Power-off Timing

Recommended Parts for VDD3V3 Power Supply

XC6221 (TOREX) (without discharge function type, Output Voltage 3.3V)

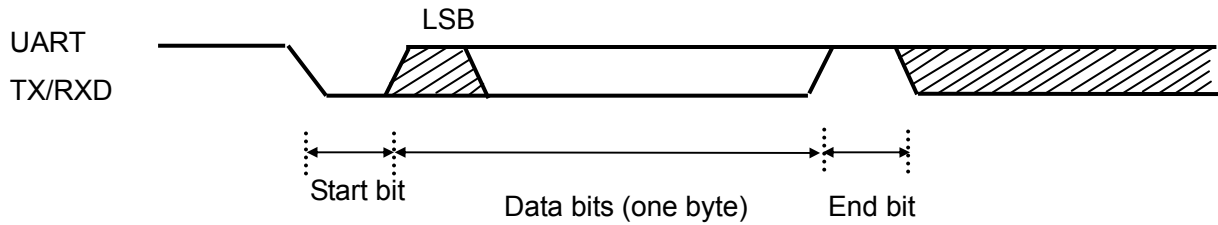
Note1 Inrush current test circuit



Control No. HD-AE-A	(4/4)	Control name Electrical characteristics
------------------------	-------	--

UART Interface AC Specifications

The Specification applies for Ta=25 degrees-C



Baud Rate Required (bps)	Programmed Baud Rate (bps)
4800	4803
9600	9606
14400	14208
19200	19212
38400	38423
57600	56835
115200	113673
230400	227353
460800	454741
921600	909583

Default 115200bps

GYSFFMAXB

Control No. HD-AE-B	(1/1)	Control name Electrical characteristics
------------------------	-------	--

RF Specifications

The Specification applies for Topr.=25 degrees-C

No	Parameter	Symbol	Spec			Unit	Remark
			Min	Typ	Max		
1	Frequency	Fc		1575.42		MHz	C/A code
2	Intermediate frequency	IF		4.092		MHz	
3	Image Rejection Ratio	IRR		30		dB	
4	VCO Oscillation Frequency	Fosc		3142.656		MHz	
5	Noise Figure	NF		1.0		dB	
6	Sensitivity 1	Hs1		-162		dBm	Hot start sensitivity
		Ws1		-146			Warm start sensitivity
		Cs1		-146			Cold start sensitivity
		Ts1		-164			Tracking sensitivity
7	TTF 1	Ht1		1.0		sec	Hot start @-135dBm Note1
		Wt1		34			Warm start@-135dBm Note2
		Ct1		42			Cold start @-135dBm Note3
8	Accuracy 1	Ha1		2		m	Hot start @-135dBm
		Wa1		2			Warm start@-135dBm
		Ca1		2			Cold start @-135dBm

Note1 Hot start : Re-start in state with Data of Almanac, Ephemeris, and time information.

Note2 Warm start : Re-start in state with Data of Almanac.

Note3 Cold start : Start when there is not all information.

GYSFFMAXB

Control No. HD-AE-C	(1/1)	Control name Electrical characteristics
------------------------	-------	--

Firmware

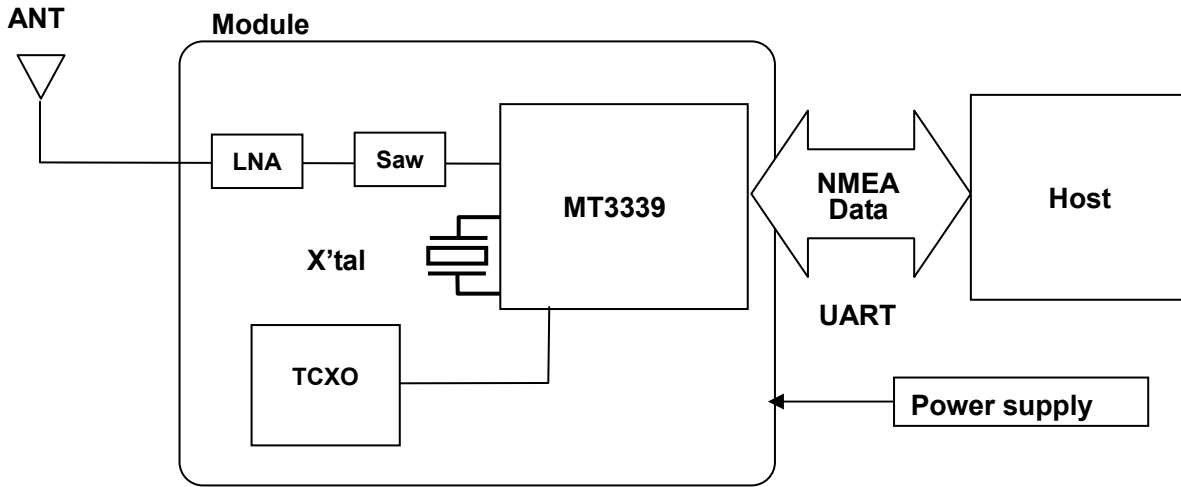
1. Embedded Firmware : Example for Firmware Name
e.g 20091225 _TY_Module_A1.20P(C29)_00.bin

2. MTK NMEA Packet Format

Attachment Sheet : Please refer to "MTK NMEA Packet User Manual".

Control No. HD-MC-A	(1/1)	Control name Circuit Schematic
------------------------	-------	-----------------------------------

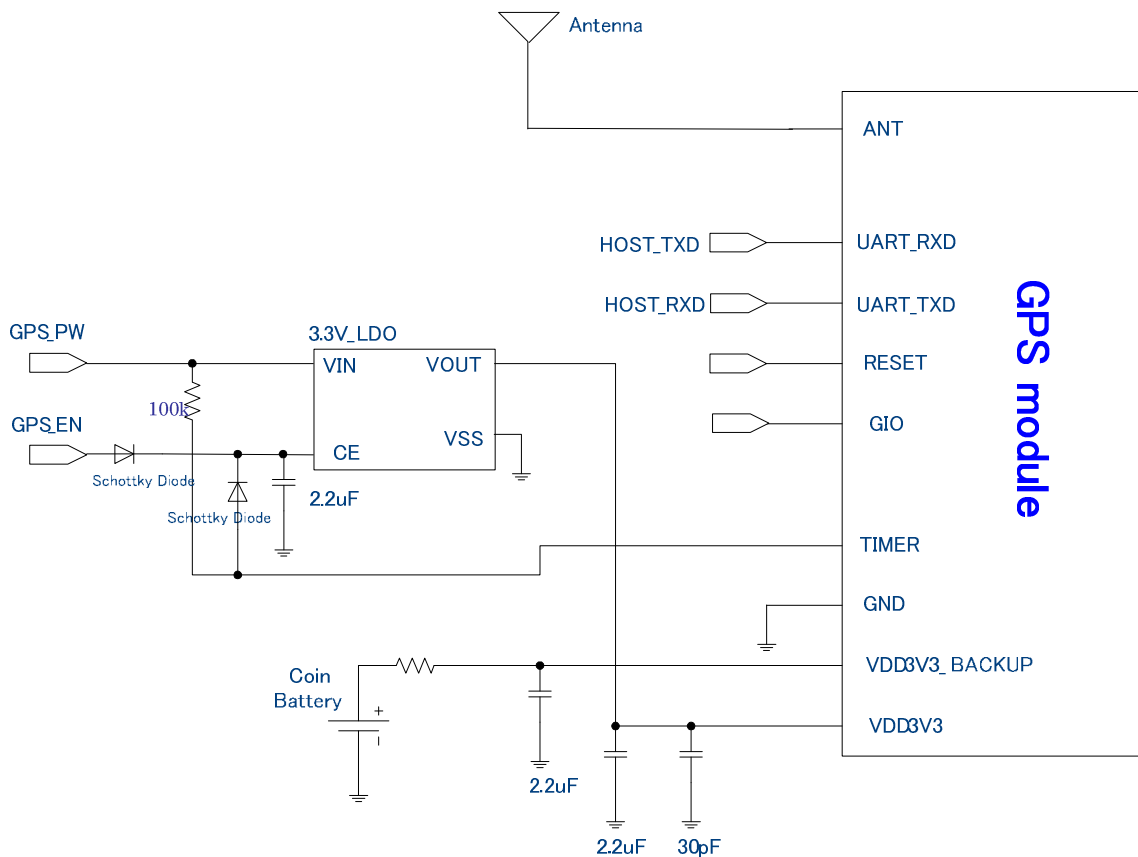
Module Block Diagram



Reference : Peripheral Circuits

(This Peripheral Circuits is reference only.)

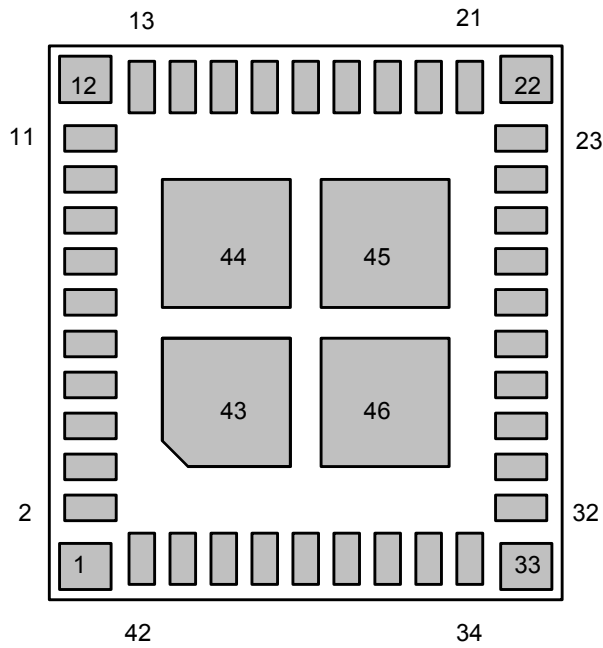
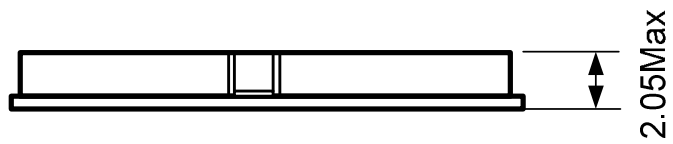
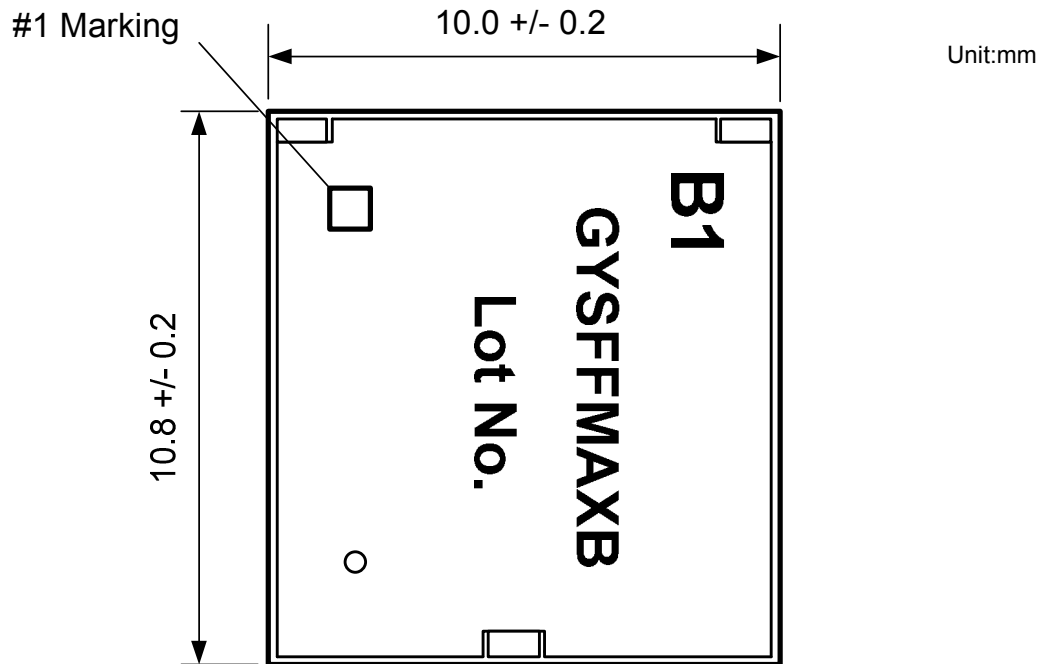
You are requested to fully check and confirm by the start of mass production of this Product.)



Pin layout details, please refer to page 18-19.

Control No. HD-AD-A	(1/3)	Control name Outline/Appearance
------------------------	-------	------------------------------------

Outline

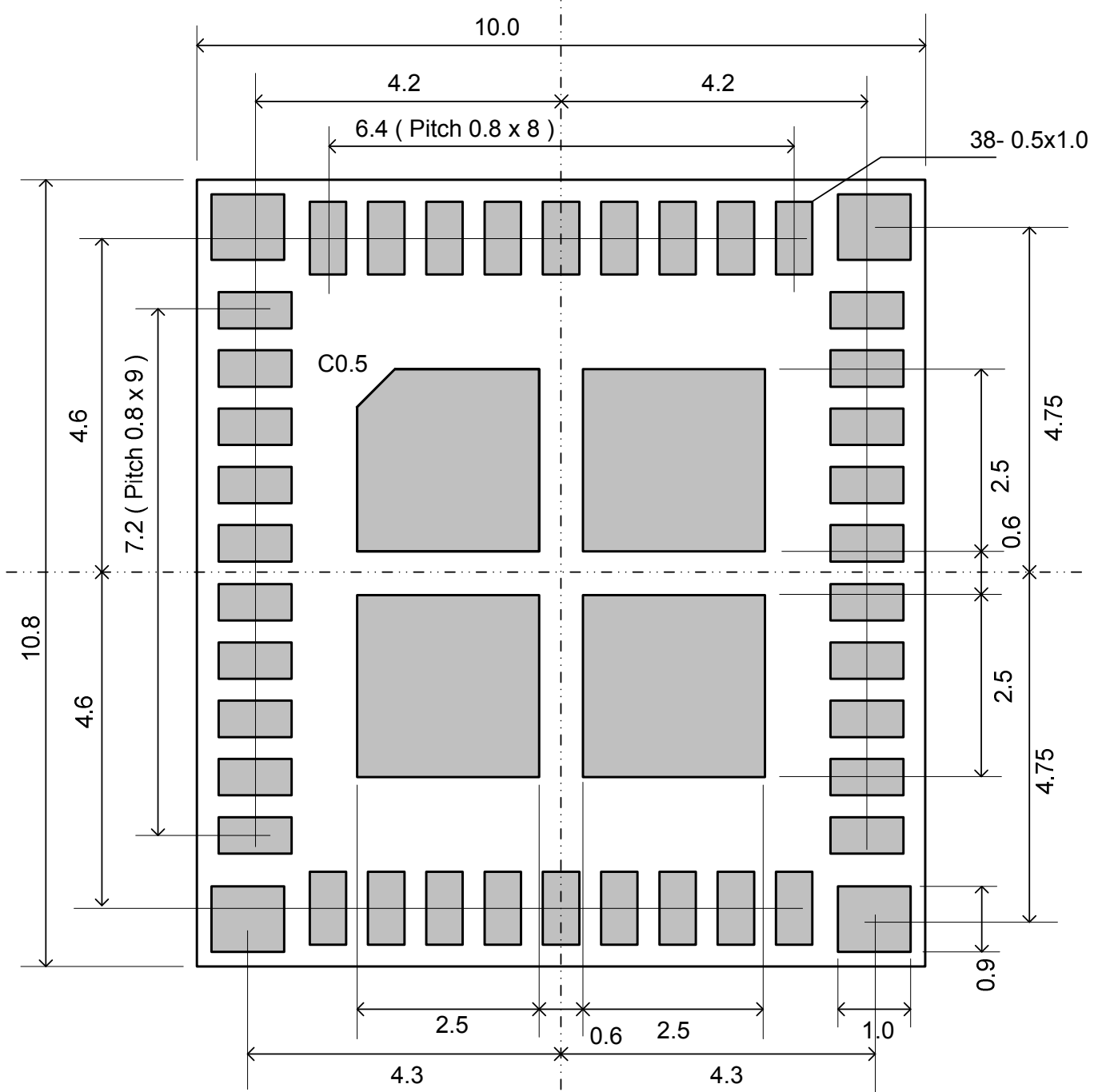


< Bottom View >

Control No. HD-AD-A	(2/3)	Control name Outline/Appearance
------------------------	-------	------------------------------------

Recommended Land Pattern (same as Module Land form)

Unit:mm

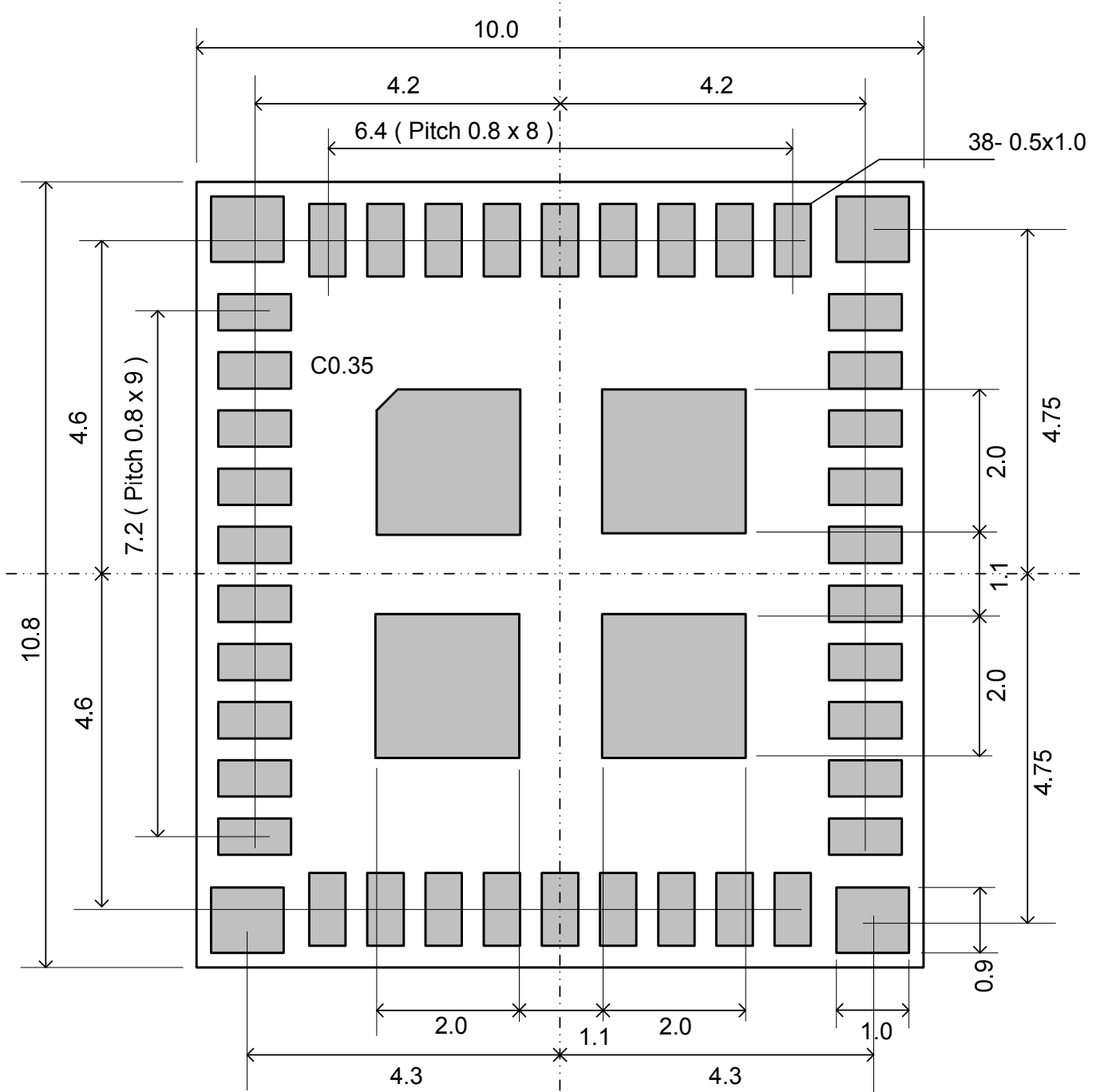


< Top View >

Control No. HD-AD-A	(3/3)	Control name Outline/Appearance
------------------------	-------	------------------------------------

Recommended Metal Masking(Solder Masking) URL pattern

Unit : mm

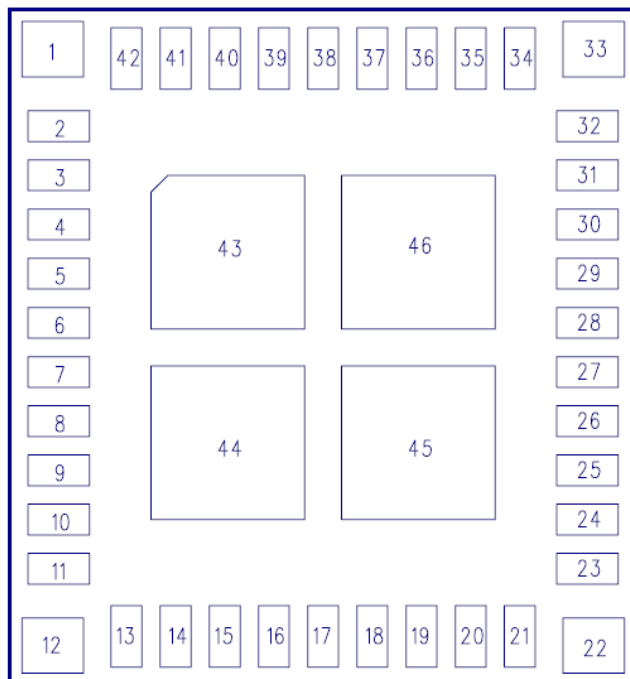


< Top View >

GYSFFMAXB

Control No. HD-BA-A	(1/2)	Control name Pin Layout
------------------------	-------	----------------------------

Pin Layout



(Top View)

Descriptions

No.	Pin Name	Type	Block	I/O	Description
1	GND	Power	GND	-	GND
2	ANT	RF	RF	I	RF_IN Antenna port
3	GND	Power	GND	-	GND
4	VDD3V3	Power	RF & Digital	I	Power Supply voltage 3.3V Main power supply
5	NC		-	-	Never to connect
6	NC		-	-	Never to connect
7	NC		-	-	Never to connect
8	GND	Power	GND	-	GND
9	NC		-	-	Never to connect
10	GND	Power	GND	-	GND
11	NC	-	-	-	Never to connect
12	GND	Power	GND	-	GND
13	NC		-	-	Never to connect
14	VDD3V3_BACKUP	Power	Analog	I	Supply Voltage to RTC LDO. Back-up power supply * at all times "ON" by button battery
15	NC		-	-	Never to connect
16	NC	-	-	-	Never to connect
17	32KHZ_OUT	Debug	CLK	O	RTC 32kHz clock output default no output, controlled by S/W build.(Optional) *Never to connect in case of an unnecessary

GYSFFMAXB

Control No. HD-BA-A	(2/2)	Control name Pin Layout
------------------------	-------	----------------------------

No.	Pin Name	Type	Block	I/O	Description
18	NC		-	-	Never to connect.
19	NC		-	-	Never to connect.
20	NC		-	-	Never to connect.
21	NC		-	-	Never to connect.
22	GND	Power	GND	-	GND
23	NC		-	-	Never to connect.
24	NC		-	-	Never to connect.
25	UART_RXD	CMOS	UART	I	Serial data input for the UART Interface. Internal 75kΩpull up.
26	UART_TXD	CMOS	UART	O	Serial data output for the UART Interface. Internal 75kΩpull up.
27	TIMER	CMOS	CLK	O	In Backup mode, count and output time interval. Open drain output. It doesn't PULL UP in IC. Prefer to PULL Up outside of IC *Please Connect to GND in case of an unnecessary.
28	NC		-	-	Never to connect.
29	1PPS	CMOS	Digital	I/O	1pps signal output (Default: Duty cycle 0.1/ Timing: 3DFix)
30	NC		-	-	Never to connect.
31	NC		-	-	Never to connect.
32	RESET	CMOS	Digital	I	RESET terminal, active LOW Internal 75kΩpull up
33	GND	Power	GND	-	GND
34	NC		-	-	Never to connect.
35	NC		-	-	Never to connect.
36	GND	Power	GND	-	GND
37	GND	Power	GND	-	GND
38	GND	Power	GND	-	GND
39	GND	Power	GND	-	GND
40	GND	Power	GND	-	GND
41	GND	Power	GND	-	GND
42	GND	Power	GND	-	GND
43	GND	Power	GND	-	GND
44	GND	Power	GND	-	GND
45	GND	Power	GND	-	GND
46	GND	Power	GND	-	GND

GYSFFMAXBControl No.
HQ-BA-523

(1/2)

Control name
Handling Precaution

This specification describes desire and conditions especially for mounting.

Desire/Conditions

(1) Environment conditions for use and storage

1. Store the components in an environment of < **40deg-C/90%RH** if they are in a moisture barrier bag packed by TAIYO YUDEN.
2. Keep the factory ambient conditions at < **30deg-C/60%RH**.
3. Store the components in an environment of < **25±5deg-C/10%RH** after the bag is opened.
(The condition is also applied to a stay in the manufacture process).

(2) Conditions for handling of products

Make sure all of the moisture barrier bags have no holes, cracks or damages at receiving. If an abnormality is found on the bag, its moisture level must be checked in accordance with 2 in (2).

Refer to the label on the bag.

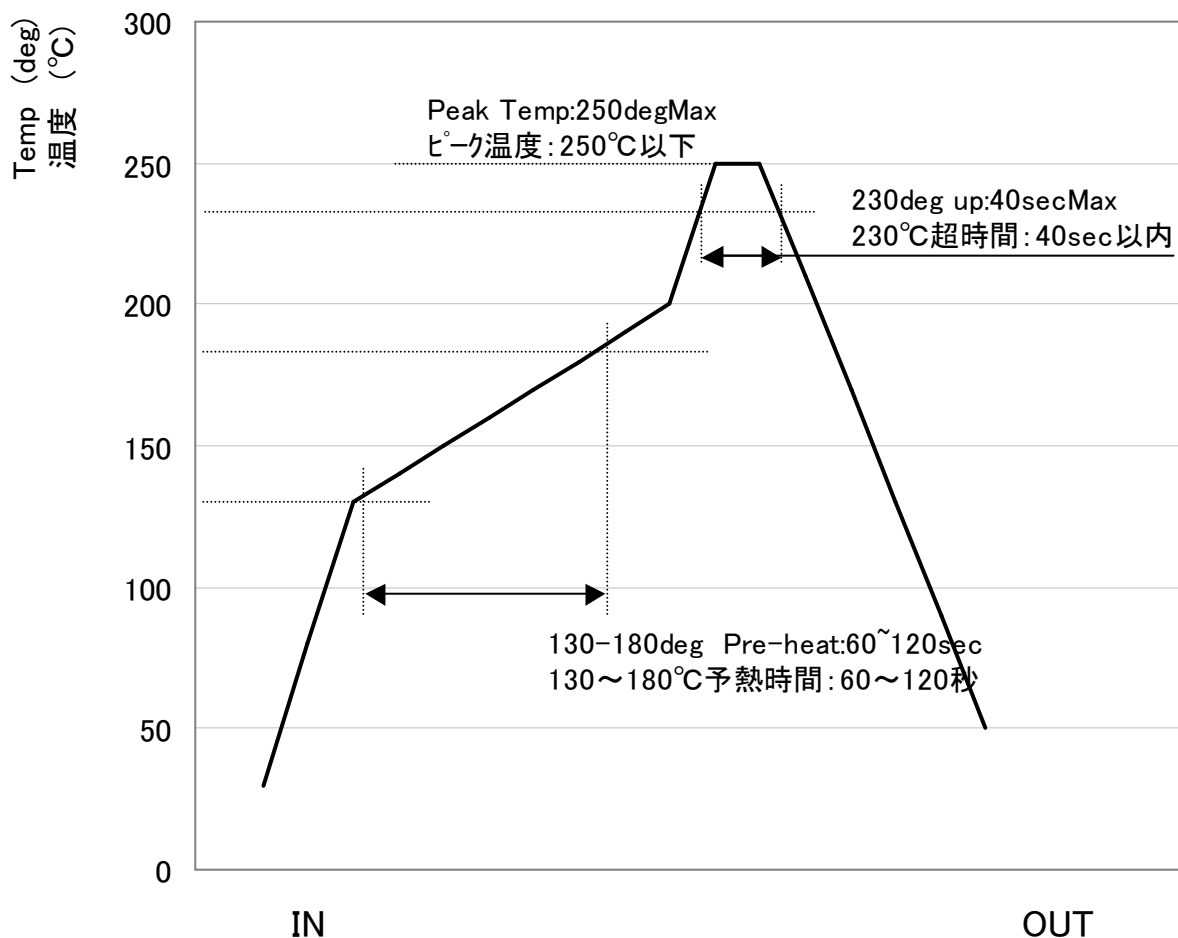
1. All of the surface mounting process (reflow process) must be completed **in 12 months** from the bag sea date.
2. Make sure humidity in the bag is less than **10%RH** immediately after open, using a humidity indicator card sealed with the components.
3. **All** of the surface mounting process (reflow process including rework process) must be completed in **168 hours** after the bag is opened (inclusive of any other processes).
4. If any conditions in (1) or condition 2 and 3 in (2) are not met, bake the components in accordance with the conditions at **125deg-C 24hours**
5. As a rule, baking the components in accordance with conditions 4 in (2) shall be once.

GYSFFMAXB

Control No. HQ-BA-523	(2/2)	Control name Handling Precaution
--------------------------	-------	-------------------------------------

6. Since semi-conductors are inside of the components, they must be free from static electricity while handled.($<100V$) Use ESD protective floor mats, wrist straps, ESD protective footwear, air ionizers etc. , if necessary.
7. Please make sure that there are lessen mechanical vibration and shock for this module, and do not drop it.
8. Please recognize pads of back side at surface mount.
9. Please do not wash this module.
10. Please perform temperature conditions of module at reflow within the limits of the following.

Please give the number of times of reflow as a maximum of 2 times.



GYSFFMAXB

Control No. HD-BB-A (1/3)	Control name Packaging Specification
------------------------------	---

Packaging Specification

梱包仕様

(1) Packaging Material 梱包材料

Name 部材名	Outline 概要	Materials 材質	Note 備考
Emboss エンボス	24mm wide - 16mmPitch 24mm幅 - 16mmピッチ	Conductive PS 導電性 PS	
Cover Tape カバータープ			
Reel リール	φ 330 mm	Conductive PS 導電性 PS	
Desiccant 乾燥剤	30g×1		
Humidity indicator card 湿度インジケータ			
Aluminum moisture barrier bag アルミ防湿袋	420×460(mm)	(AS)PET/AL/NY/PE(AS)	
Label ラベル			
Corrugated cardboard box(Inner) 個装箱	340×352×77(mm)		
Corrugated cardboard box(Outer) 外装箱	380×380×250(mm)		

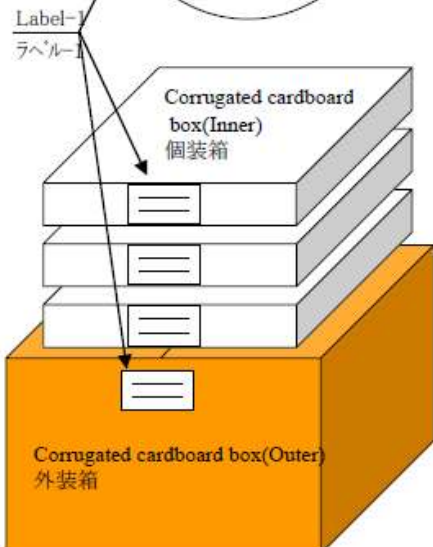
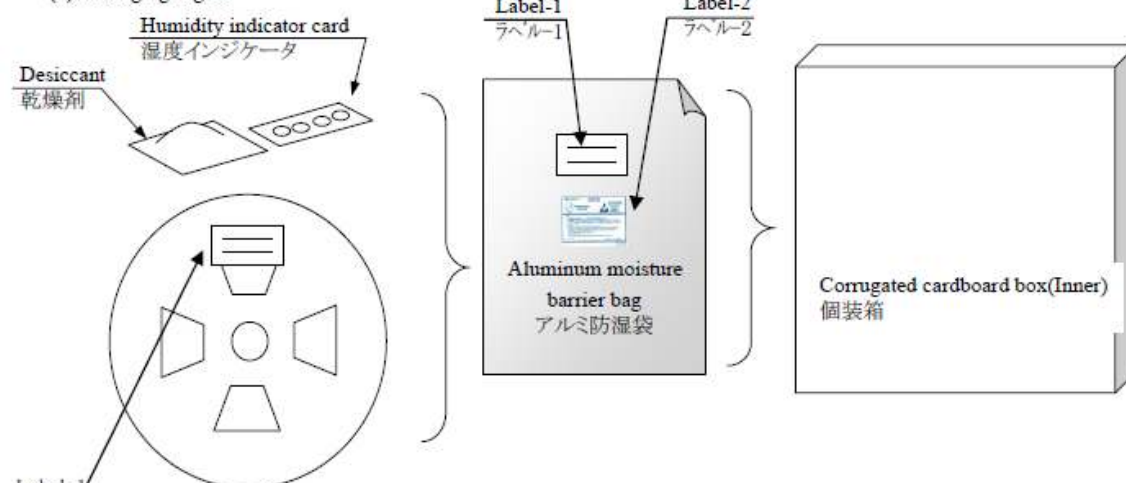
(2) Packaging Unit

梱包数量

Max 1000 pieces/Reel

Max 3000 pieces/Box(Outer)

(3) Packaging Figure



(4) Label

ラベル

Label-1

- ・COMPANY NAME 御社名
- ・PURCHASE ORDER 注文番号
- ・DESCRIPITON 品名
- ・QUANTITY 数量
- △ ・LotNo. ロット番号

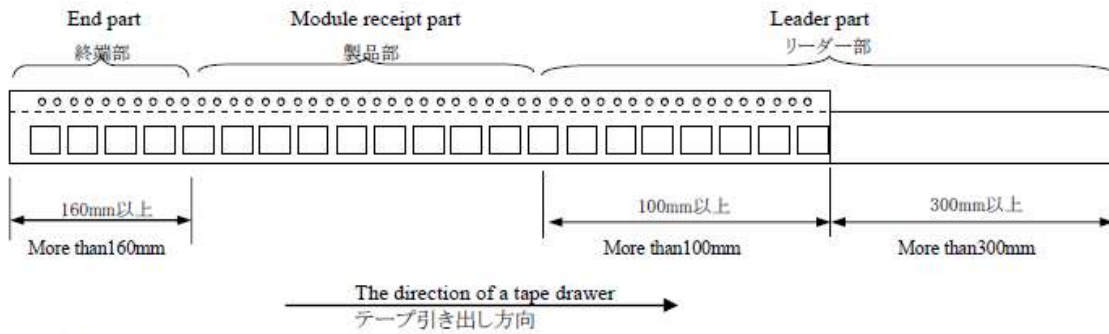
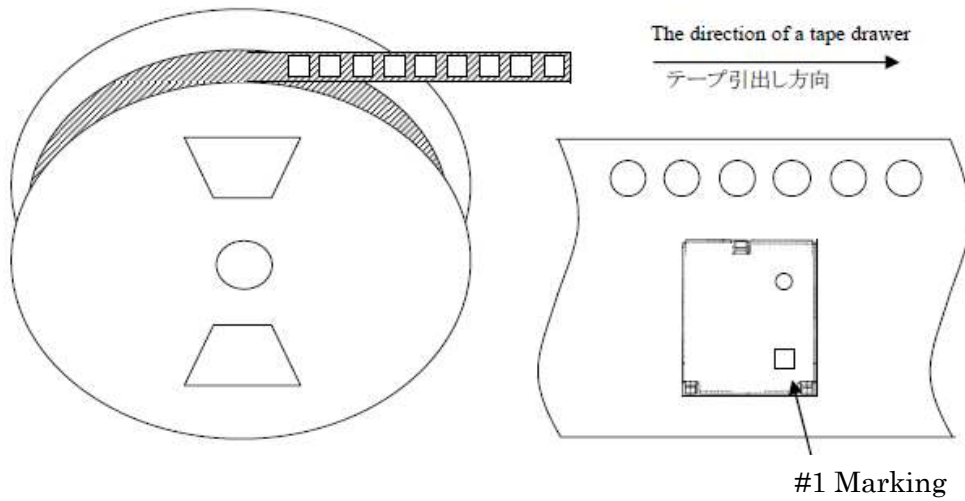
Label-2

- CAUTION LABEL
- 注意ラベル

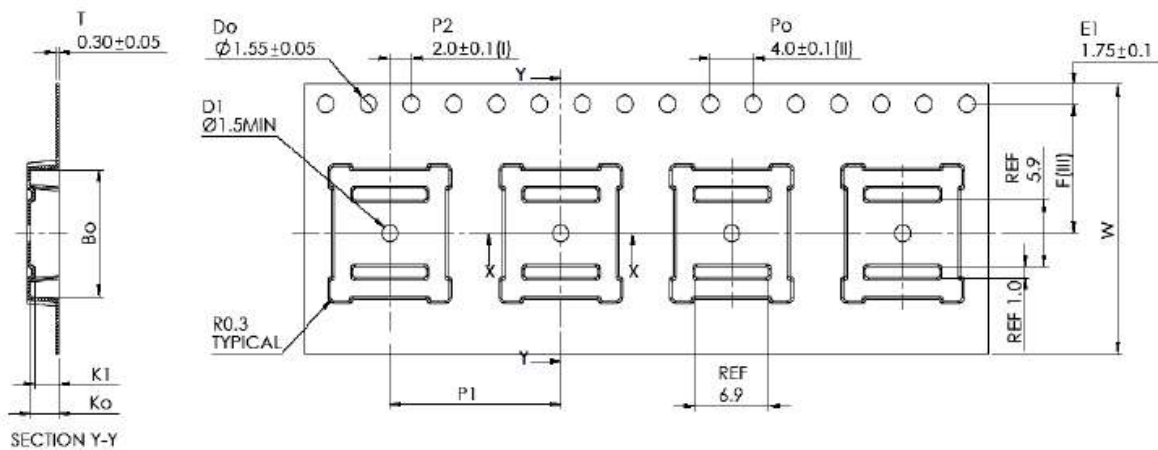
GYSFFMAXB

Control No. HD-BB-A	(2/3)	Control name Packaging Specification
------------------------	-------	---

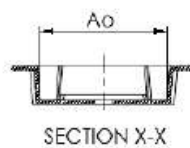
Tape specification
テーピング仕様



キャリアエンボス図面



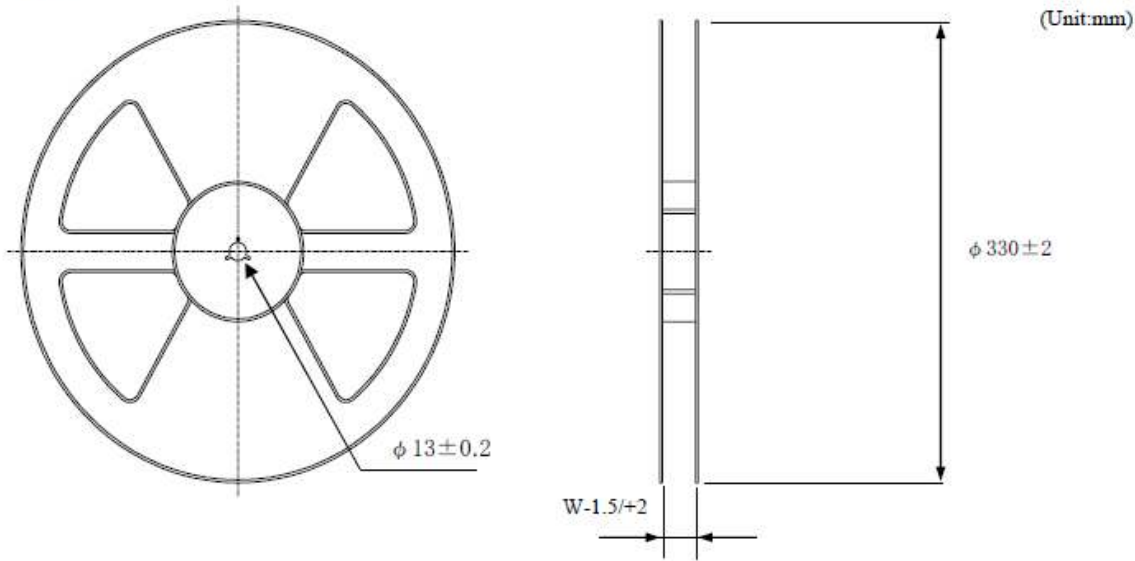
A_o	10.40 +/− 0.1
B_o	11.20 +/− 0.1
K_o	2.65 +/− 0.1
K_1	2.25 +/− 0.1
F	11.50 +/− 0.1
P_1	16.00 +/− 0.1
W	24.00 +/− 0.3



GYSFFMAXB

Control No. HD-BB-A	(3/3)	Control name Packaging Specification
------------------------	-------	---

Reel specification
 リール仕様



Tape wide	8mm	12mm	16mm	24mm	32mm	44mm
W	9.4mm	13.4mm	17.4mm	25.4mm	33.4mm	45.4mm

Taping performance
 テーピング性能

Both of an embossing tape top cover tape bear this, when the power of 10N is applied in the direction of a drawer.
 ・エンボステープ、トップカバーテープともに、引き出し方向に10Nの力を加えた場合に、これに耐えること。

The exfoliation adhesion of a top cover tape is the intensity of 0.1~1.3N.
 (The angle to pull is 165~180 degrees. The speed to pull is 300 mm/min.)

・トップカバーテープの剥離強度は、角度165~180度に保ち、300mm/minのスピードでトップカバーテープを引っ張ったとき、0.1~1.3Nとする。

Note
 備考

△ Lack of the parts in 1 reel is with two or less pieces.
 1リール中の部品の欠落は2個までとします。(ラベル表示数量と梱包数は同じです。欠落とはテープ内でのモジュール抜けが2個まで許容させていただくという意味になります。)

MSL Level 3 Under control
 MSL はレベル3 で管理しています。