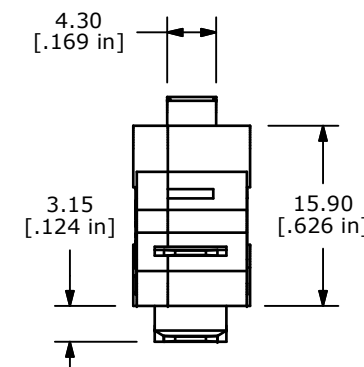
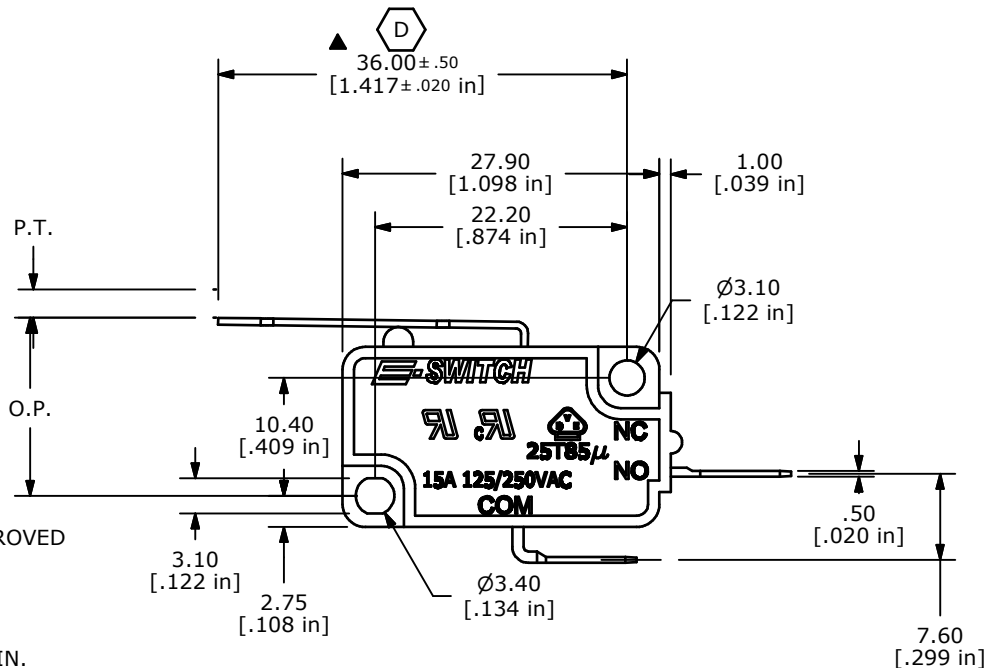
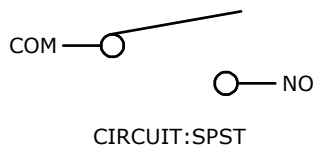


O.P. (MM)	P.T. (MM)
15.5±0.8	4.1 MAX.

O.P. = OPERATING POINT  
P.T. = PRE-TRAVEL



- NOTES:
1. ALL DIMENSIONS IN MM [INCH]
  2. GENERAL TOLERANCE: X.X=±0.4  
X.XX=±0.25
  3. RATING: 15A @125/250VAC UL, CUL, VDE APPROVED
  - ▲ 4. OPERATING FORCE: 75± 25 GRAMS
  5. OPERATING TEMP: -25°C TO 85°C
  6. ELECTRICAL LIFE: 50,000 CYCLES MIN.
  7. MECHANICAL LIFE: 1,000,000 CYCLES TYP.
  8. INSULATION RESISTANCE: 100 MEGA-OHMS MIN.
  9. DIELECTRIC STRENGTH: 1500VAC 1 MINUTE (INITAL VALUE)
  10. CONTACT RESISTANCE: 100 MILLI -OHMS MAX.
  11. ▲ DENOTES CRITICAL PARAMETER.
  12. 2002/95/EC (ROHS) COMPLIANT

REV	PCR NO	DESCRIPTION	DATE	BY
D	20755	36.00 WAS 36.60, 4.70 WAS 4.75	9/14/12	EBP
C	15738	EDIT CIRCUIT DRAWING	2/7/06	PH
B	15660	REMOVE NC TERMINAL	1/5/06	PH
A	15640	RELEASED FOR PRODUCTION	1/4/06	PH

**E-SWITCH®**

TITLE LS0851502F075C1C

SCALE	DATE	DR	DWG	REV
1.5:1	1/4/2006	PH	Q950030	D

THE INFORMATION CONTAINED IN THIS DOCUMENT IS PROPRIETARY TO E-SWITCH AND IS NOT TO BE COPIED OR TRANSFERRED