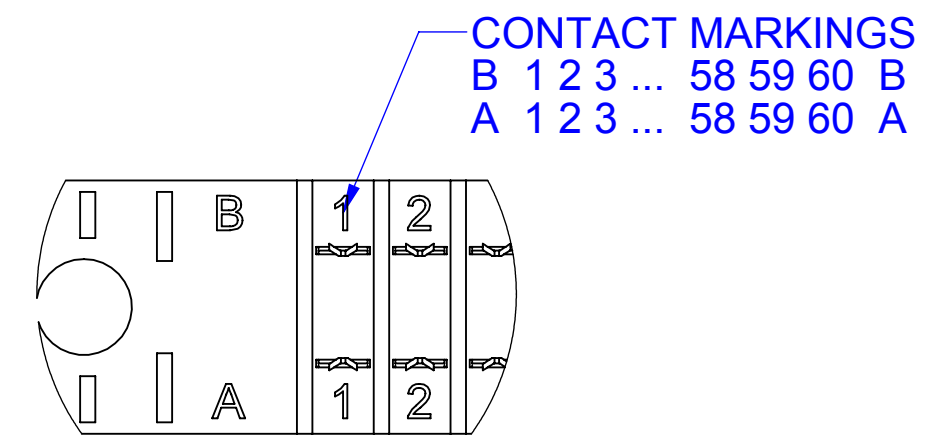
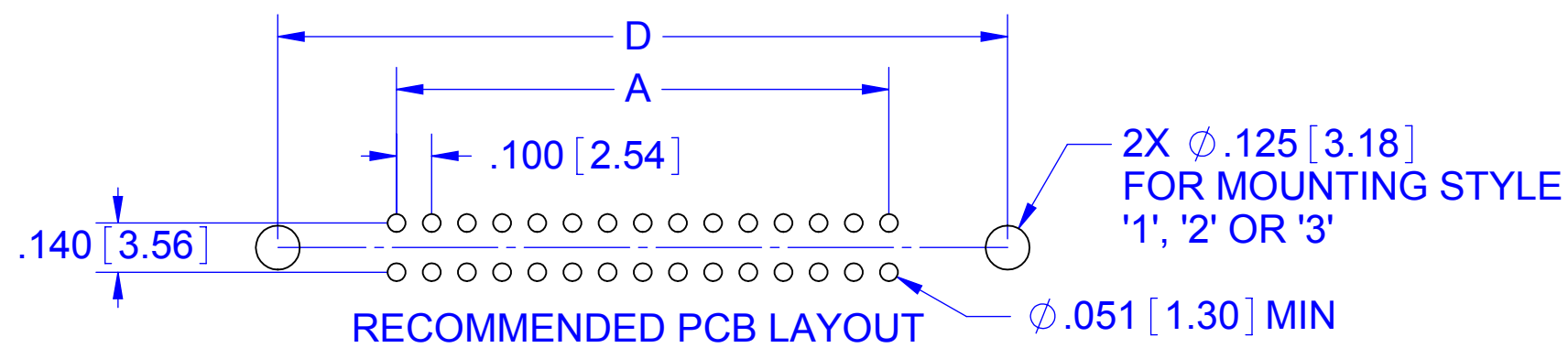
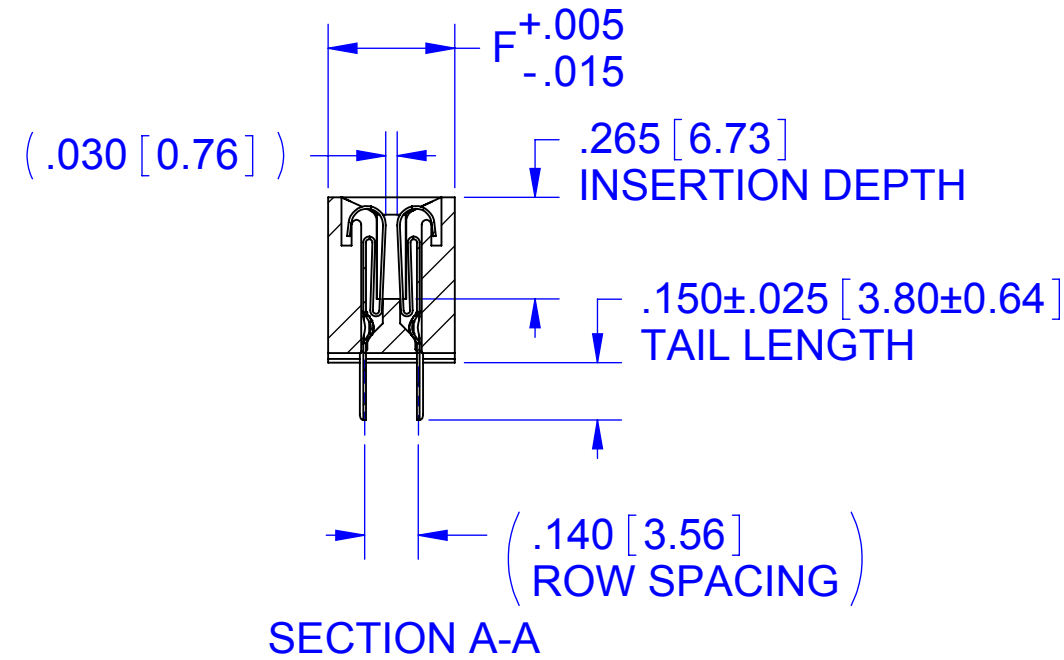
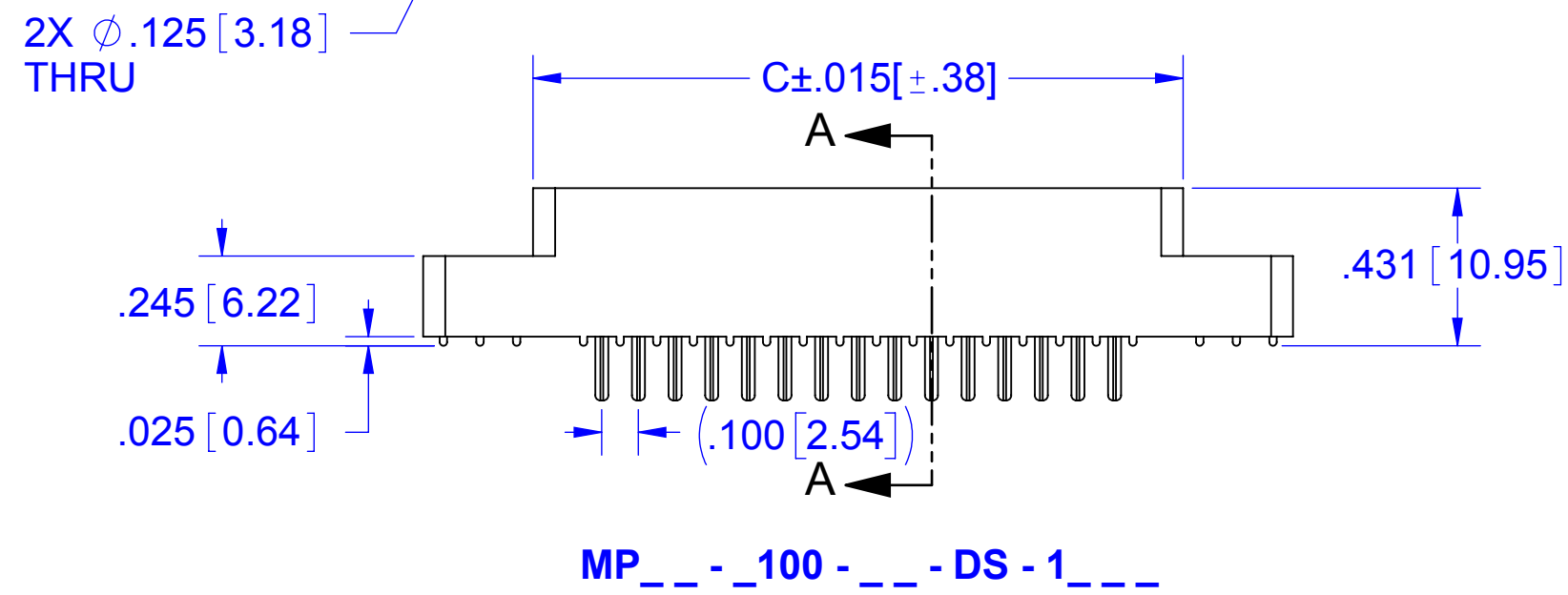
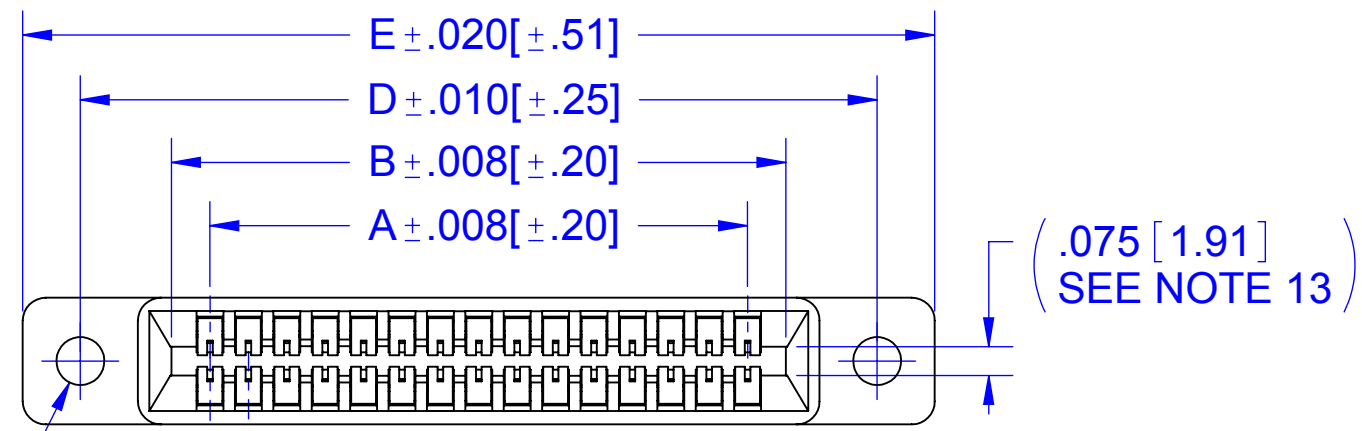


REVISIONS				
REV.	ECO. NO	DESCRIPTION	DATE	BY
A	2365	INITIAL RELEASE	6/7/2011	JH
B	2453	UPDATED P/N CODING TO INCLUDE MATERIAL, COLOR & PLATING OPTIONS (OBSOLETE DWG# 10648)	7/27/2011	JH
C	3761	ADD SPINODAL OPTION	10/25/2017	JH



DETAIL B
SCALE 4 : 1

NOTES:

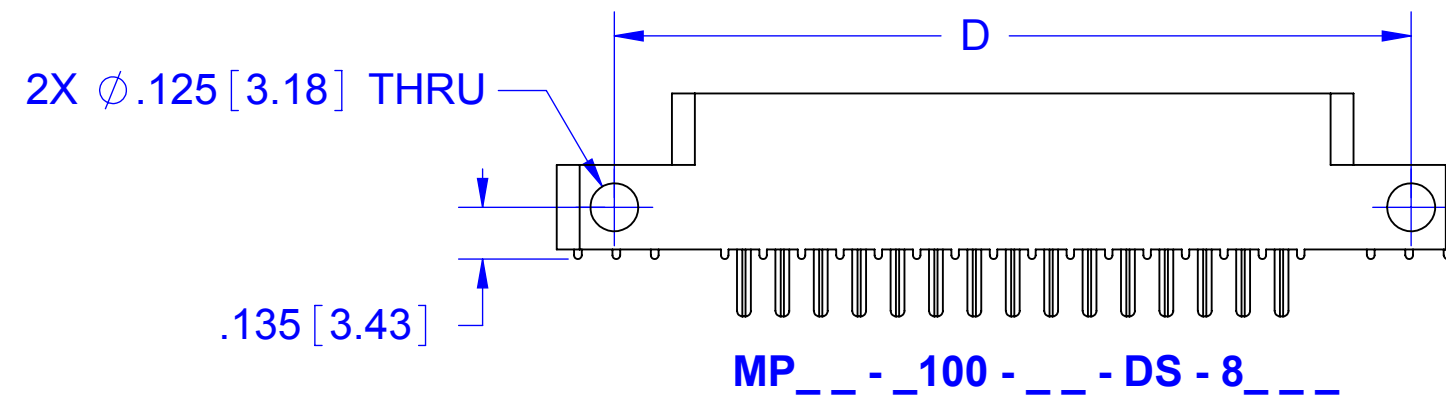
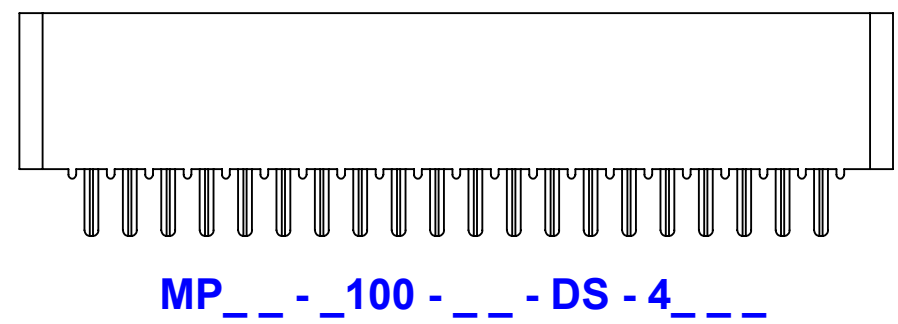
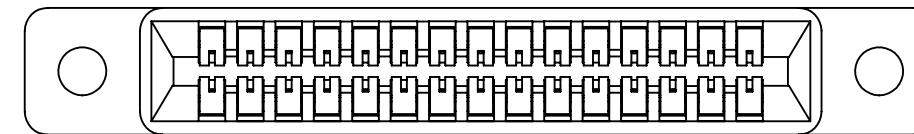
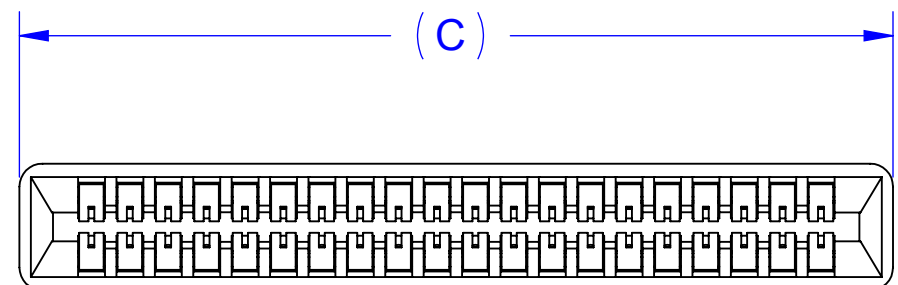
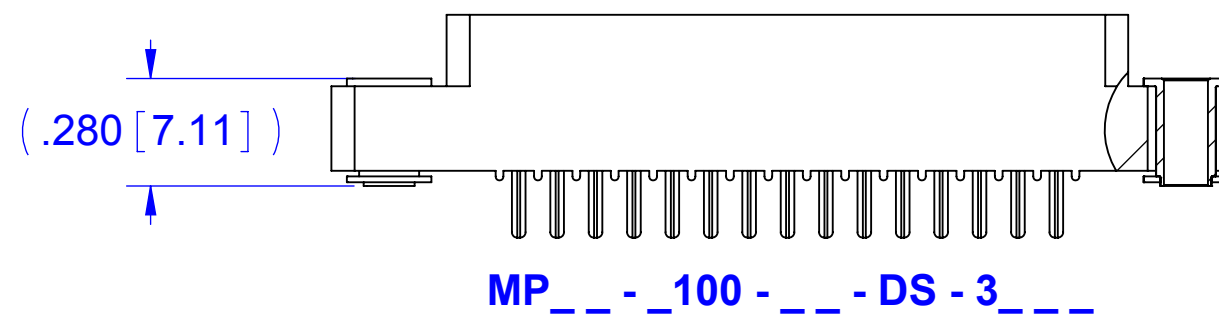
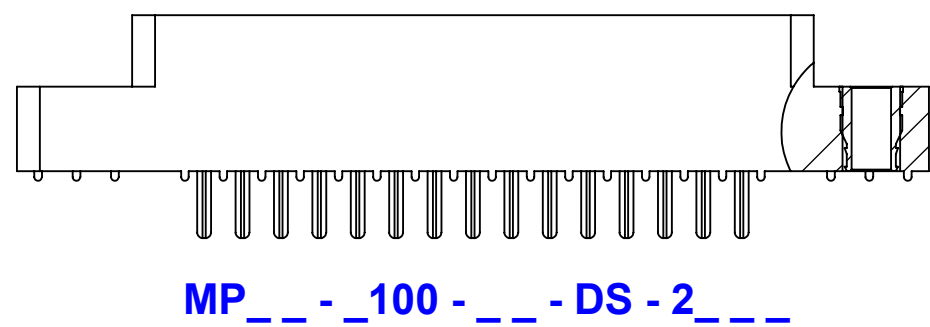
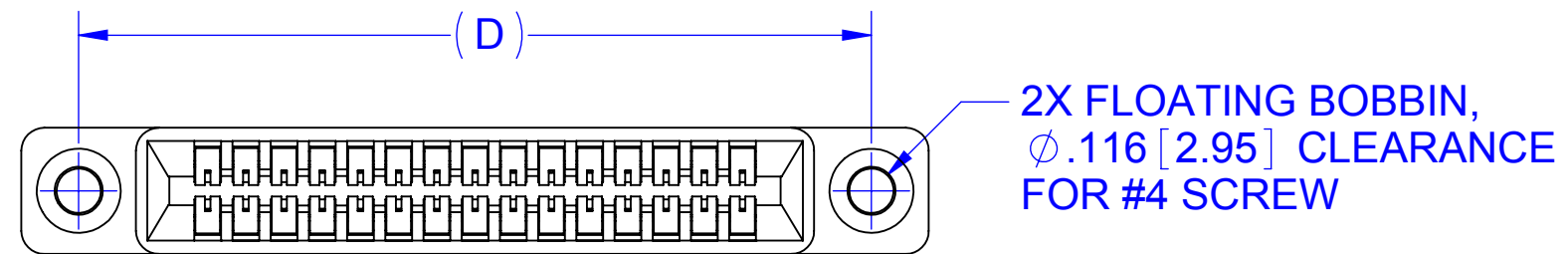
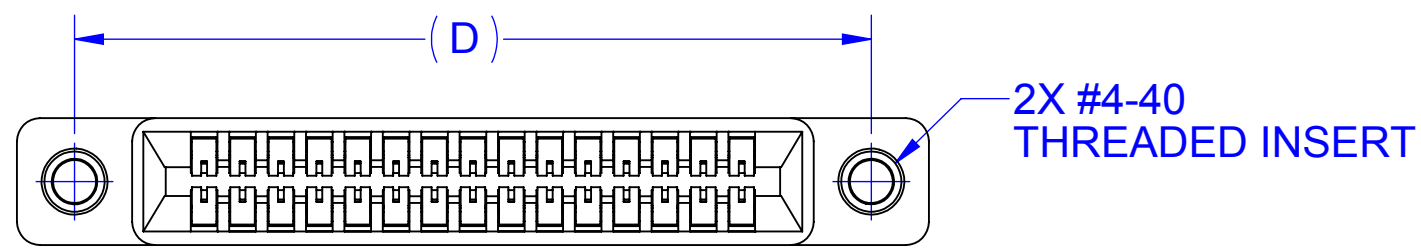
1. INSULATOR MATERIAL: SEE PART NUMBER CODING
2. CONTACT MATERIAL: SEE PART NUMBER CODING
3. PLATING: SEE PART NUMBER CODING
4. OPERATING TEMPERATURE: SEE PART NUMBER CODING
5. PROCESSING TEMP: SEE PART NUMBER CODING
6. UL FLAMMABILITY RATING: 94V-0
7. OPERATING VOLTAGE: 700 VAC
8. CURRENT RATING: 3 AMPS
9. CONTACT RESISTANCE: 30 MILLI OHMS MAX
10. INSULATION RESISTANCE: 5000 MEGA OHMS
11. DURABILITY: 500 CYCLES MIN
12. CONNECTOR IDENTIFICATION: THE PART SHALL BE MARKED WITH A PART NUMBER AND LOT CODE
13. BOARD THICKNESS ACCOMMODATED: .062 ±.008 [1.57 ± 0.20]
14. INSERTION FORCE: 16 OZ MAX PER CONTACT PAIR WHEN USING A .062 [1.57] TEST BLADE
15. WITHDRAWAL FORCE: 1 OZ MIN PER CONTACT PAIR USING .062 [1.57] TEST BLADE

REF: __C__DRW__P__

CUSTOMER COPY



UNLESS OTHERWISE SPECIFIED: DIMENSIONS ARE IN INCHES [MM]		DRAWN	DATE	NAME	
TOLERANCES: ANGULAR: ± 1° DECIMALS .XX= ± .02 [.5] .XXX= ± .005 [1.3] .XXXX= ± .0005 [0.13]			6/7/2011	JH	
<small>THE INFORMATION HEREIN CONTAINS PROPRIETARY INFORMATION OF SULLINS ELECTRONICS AND IS NOT TO BE REPRODUCED, USED OR DISCLOSED TO OTHERS FOR ANY PURPOSE EXCEPT AS SPECIFICALLY AUTHORIZED IN WRITING BY AN OFFICER OF SULLINS ELECTRONICS.</small>					TITLE
					CONNECTOR, .100 CC LP
					PART NUMBER
					MP - - 100 - - DS - - - -
SIZE	CAGE CODE	DWG. NO.			REV
C	54453	C11776			C
SCALE: 2:1			SHEET 1 OF 3		



CUSTOMER COPY



UNLESS OTHERWISE SPECIFIED:
DIMENSIONS ARE IN INCHES [MM]

TOLERANCES:
ANGULAR: ± 1°
DECIMALS
.XX = ± .02 [.5]
.XXX = ± .005 [.13]
.XXXX = ± .0005 [.013]

DRAWN	DATE	NAME
	6/7/2011	JH

THE INFORMATION HEREIN CONTAINS PROPRIETARY INFORMATION OF SULLINS ELECTRONICS AND IS NOT TO BE REPRODUCED, USED OR DISCLOSED TO OTHERS FOR ANY PURPOSE EXCEPT AS SPECIFICALLY AUTHORIZED IN WRITING BY AN OFFICER OF SULLINS ELECTRONICS.

SULLINS CONNECTOR SOLUTIONS			
TITLE CONNECTOR, .100 CC LP			
PART NUMBER MP__-100--DS-_____			
SIZE	CAGE CODE	DWG. NO.	REV
C	54453	C11776	C
SCALE: 2:1		SHEET 2 OF 3	

PART NUMBER	NO. OF POSITIONS	A		B		C		D		E		F	
		IN	MM	IN	MM	IN	MM	IN	MM	IN	MM	IN	MM
MP - 100 - 05 - DS -	5	0.400	10.16	0.600	15.24	0.775	19.69	1.075	27.31	1.375	34.93	0.330	8.38
MP - 100 - 06 - DS -	6	0.500	12.70	0.700	17.78	0.875	22.23	1.175	29.85	1.475	37.47	0.330	8.38
MP - 100 - 07 - DS -	7	0.600	15.24	0.800	20.32	0.975	24.77	1.275	32.39	1.575	40.01	0.330	8.38
MP - 100 - 08 - DS -	8	0.700	17.78	0.900	22.86	1.075	27.31	1.375	34.93	1.675	42.55	0.330	8.38
MP - 100 - 10 - DS -	10	0.900	22.86	1.100	27.94	1.275	32.39	1.575	40.01	1.875	47.63	0.330	8.38
MP - 100 - 12 - DS -	12	1.100	27.94	1.300	33.02	1.475	37.47	1.775	45.09	2.075	52.71	0.330	8.38
MP - 100 - 13 - DS -	13	1.200	30.48	1.400	35.56	1.575	40.01	1.875	47.63	2.175	55.25	0.330	8.38
MP - 100 - 15 - DS -	15	1.400	35.56	1.600	40.64	1.775	45.09	2.075	52.71	2.375	60.33	0.330	8.38
MP - 100 - 17 - DS -	17	1.600	40.64	1.800	45.72	1.975	50.17	2.275	57.79	2.575	65.41	0.330	8.38
MP - 100 - 18 - DS -	18	1.700	43.18	1.900	48.26	2.075	52.71	2.375	60.33	2.675	67.95	0.330	8.38
MP - 100 - 19 - DS -	19	1.800	45.72	2.000	50.80	2.175	55.25	2.475	62.87	2.775	70.49	0.330	8.38
MP - 100 - 20 - DS -	20	1.900	48.26	2.100	53.34	2.275	57.79	2.575	65.41	2.875	73.03	0.330	8.38
MP - 100 - 22 - DS -	22	2.100	53.34	2.300	58.42	2.475	62.87	2.775	70.49	3.075	78.11	0.330	8.38
MP - 100 - 23 - DS -	23	2.200	55.88	2.400	60.96	2.575	65.41	2.875	73.03	3.175	80.65	0.330	8.38
MP - 100 - 25 - DS -	25	2.400	60.96	2.600	66.04	2.775	70.49	3.075	78.11	3.375	85.73	0.330	8.38
MP - 100 - 26 - DS -	26	2.500	63.50	2.700	68.58	2.875	73.03	3.175	80.65	3.475	88.27	0.330	8.38
MP - 100 - 28 - DS -	28	2.700	68.58	2.900	73.66	3.075	78.11	3.375	85.73	3.675	93.35	0.330	8.38
MP - 100 - 30 - DS -	30	2.900	73.66	3.100	78.74	3.275	83.19	3.575	90.81	3.875	98.43	0.330	8.38
MP - 100 - 31 - DS -	31	3.000	76.20	3.200	81.28	3.375	85.73	3.675	93.35	3.975	100.97	0.330	8.38
MP - 100 - 35 - DS -	35	3.400	86.36	3.600	91.44	3.775	95.89	4.075	103.51	4.375	111.13	0.400	10.16
MP - 100 - 36 - DS -	36	3.500	88.90	3.700	93.98	3.875	98.43	4.175	106.05	4.475	113.67	0.400	10.16
MP - 100 - 40 - DS -	40	3.900	99.06	4.100	104.14	4.275	108.59	4.575	116.21	4.875	123.83	0.400	10.16
MP - 100 - 43 - DS -	43	4.200	106.68	4.400	111.76	4.575	116.21	4.875	123.83	5.175	131.45	0.400	10.16
MP - 100 - 44 - DS -	44	4.300	109.22	4.500	114.30	4.675	118.75	4.975	126.37	5.275	133.99	0.400	10.16
MP - 100 - 49 - DS -	49	4.800	121.92	5.000	127.00	5.175	131.45	5.475	139.07	5.775	146.69	0.400	10.16
MP - 100 - 50 - DS -	50	4.900	124.46	5.100	129.54	5.275	133.99	5.575	141.61	5.875	149.23	0.400	10.16
MP - 100 - 52 - DS -	52	5.100	129.54	5.300	134.62	5.475	139.07	5.775	146.69	6.075	154.31	0.400	10.16
MP - 100 - 60 - DS -	60	5.900	149.86	6.100	154.94	6.275	159.39	6.575	167.01	6.875	174.63	0.400	10.16
MP - 100 - 65 - DS -	65	6.400	162.56	6.600	167.64	6.775	172.09	7.075	179.71	7.375	187.33	0.400	10.16

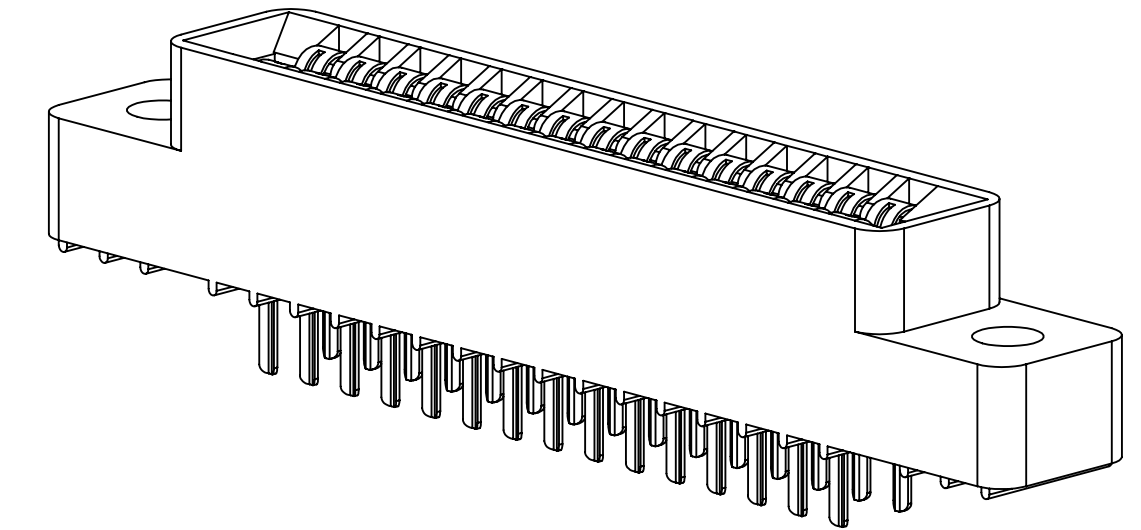


TABLE 1 (PLATING):

ALL PLATINGS HAVE .000050" MIN NICKEL UNDERPLATE

	CONTACT SURFACE	TERMINATION	PLATING MODIFICATION CODE
MP, MPP	.000010" GOLD OVERALL		OMIT
	.000030" GOLD	.000010" GOLD OVERALL	G
MPSL	.000010" GOLD	.000100" PURE TIN, MATTE	K
	.000030" GOLD	.000100" PURE TIN, MATTE	GK
MPL	.000100" PURE TIN, MATTE OVERALL		K

(MPL PLATING AVAILABLE WITH PHOSPHOR BRONZE CONTACTS ONLY)
(MP, MPSL AVAILABLE IN PHOSPHOR BRONZE OR BERYLLIUM COPPER)
(MPP = SPINODAL CONTACTS)

PART NUMBER CODING

MP - 100 - DS -

CONTACT MATERIAL

OMIT = PHOSPHOR BRONZE (SEE TABLE 2)
Y = BERYLLIUM COPPER (SEE TABLE 3)
OMIT WITH 'MPP' PLATING CODE = SPINODAL (SEE TABLE 4)

PLATING MODIFICATION CODE (SEE TABLE 1)

MOUNTING STYLE

1 = .125" DIA. CLEARANCE HOLES
2 = #4-40 THREADED INSERT
3 = FLOATING BOBBIN
4 = NO MOUNTING EARS
8 = .125" DIA. SIDE HOLES

NUMBER OF POSITIONS (CONTACTS PER ROW)

INSULATOR MATERIAL

0 = PBT, BLUE
2 = PBT, GREEN
3 = PBT, BLACK
1 = PPS, BROWN
5 = PPS, BLACK
6 = PPS, GREEN
7 = PPS, BROWN

PLATING (SEE TABLE 1)

TABLE 2 (PHOSPHOR BRONZE CONTACTS): MP, MPL, MPSL

INSULATOR MATERIAL CODE	OPERATING TEMPERATURE	PROCESSING TEMPERATURE
0, 2, 3	-65°C TO +125°C	WAVE/MANUAL SOLDERING ONLY
1, 5, 6, 7	-65°C TO +125°C	260°C MAX FOR 20 SEC

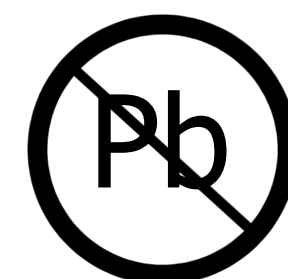
TABLE 3 (BERYLLIUM COPPER CONTACTS): MP OR MPSL WITH 'Y' MODIFICATION CODE

INSULATOR MATERIAL CODE	OPERATING TEMPERATURE	PROCESSING TEMPERATURE
0, 2, 3	-65°C TO +125°C	WAVE /MANUAL SOLDERING ONLY
1, 5, 6, 7	-65°C TO +150°C	260°C MAX FOR 20 SEC

TABLE 4 (SPINODAL CONTACTS): MPP

INSULATOR MATERIAL CODE	OPERATING TEMPERATURE	PROCESSING TEMPERATURE
1, 5, 6, 7	-65°C TO +200°C	CONSULT FACTORY FOR SPECIAL SOLDERING REQUIREMENTS

CUSTOMER COPY



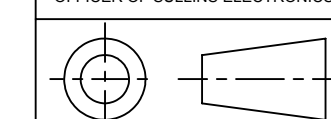
RoHS COMPLIANT

UNLESS OTHERWISE SPECIFIED: DIMENSIONS ARE IN INCHES [MM]

TOLERANCES:
ANGULAR: ± 1°
DECIMALS
.XX = ± .02 [.5]
.XXX = ± .005 [.13]
.XXXX = ± .0005 [.013]

DRAWN DATE NAME
6/7/2011 JH

THE INFORMATION HEREIN CONTAINS PROPRIETARY INFORMATION OF SULLINS ELECTRONICS AND IS NOT TO BE REPRODUCED, USED OR DISCLOSED TO OTHERS FOR ANY PURPOSE EXCEPT AS SPECIFICALLY AUTHORIZED IN WRITING BY AN OFFICER OF SULLINS ELECTRONICS.



TITLE CONNECTOR, .100 CC LP

PART NUMBER MP - 100 - DS -

SIZE CAGE CODE DWG. NO. REV
C 54453 C11776 C

SCALE: 3:1 SHEET 3 OF 3