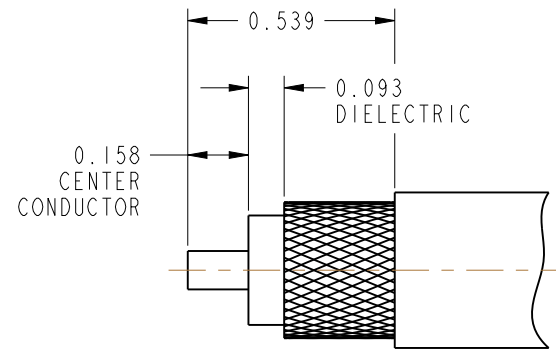
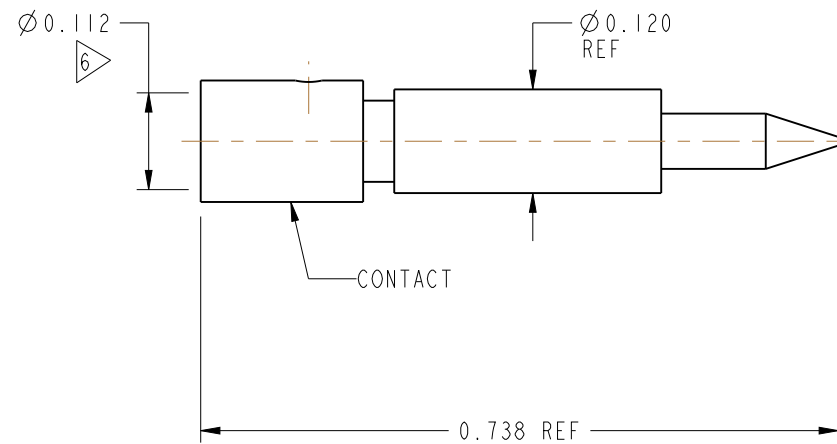
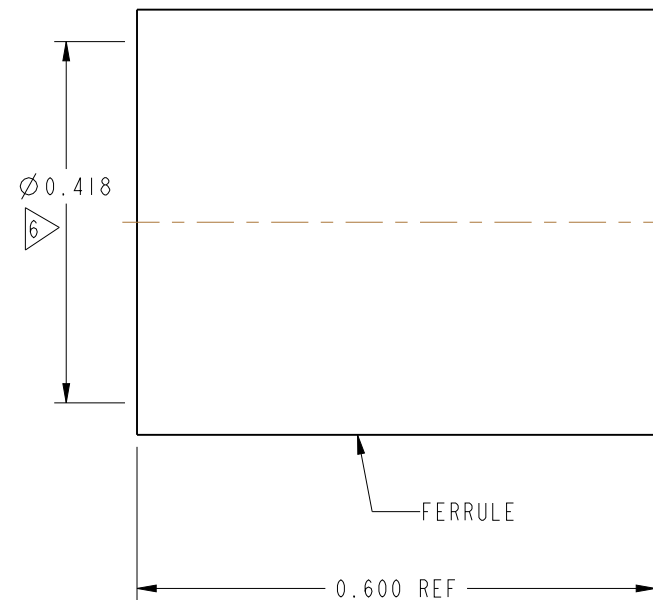


NOTES:

1. MATERIALS AND FINISHES :
 - BODY, OUTER CONTACT & COUPLING NUT - BRASS, NICKEL PLATING
 - CONTACT - BRASS, SILVER PLATING
 - INSULATOR - PTFE
 - FERRULE - COPPER, NICKEL PLATING
 - RETAINING RING - PHOSPHOR BRONZE
 - GASKET - SILICONE RUBBER
2. ELECTRICAL:
 - A. IMPEDANCE: 50 OHM
3. MECHANICAL:
 - A. DURABILITY: 500 CYCLES MIN.
 - B. TEMPERATURE RANGE: -65° C TO +165° C
4. PACKAGING:
 - A. QUANTITY: SINGLE PACK
 - B. MARKING: BAG TO BE MARKED "AMPHENOL RF, 82-340-1052, AND DATE CODE"
5. CABLE ASSEMBLY INSTRUCTIONS
 - A. TRIM CABLE AS SHOWN.
 - B. INSERT CABLE CENTER CONDUCTOR TO CONTACT. SOLDER OR CRIMP CONTACT WITH 0.116" HEX DIE.
 - C. INSERT CABLE INTO CONNECTOR WITH BRAID OVER KNURL UNTIL IT BOTTOMS.
 - D. CRIMP FERRULE WITH 0.429" HEX DIE.

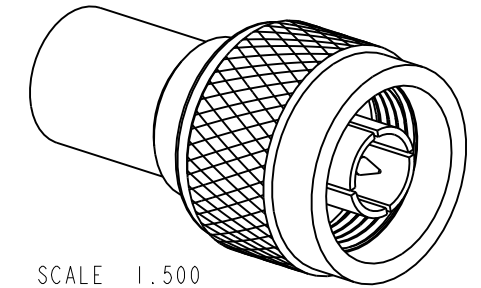
6. SHOWS CABLE ENTRY DIMENSIONS.



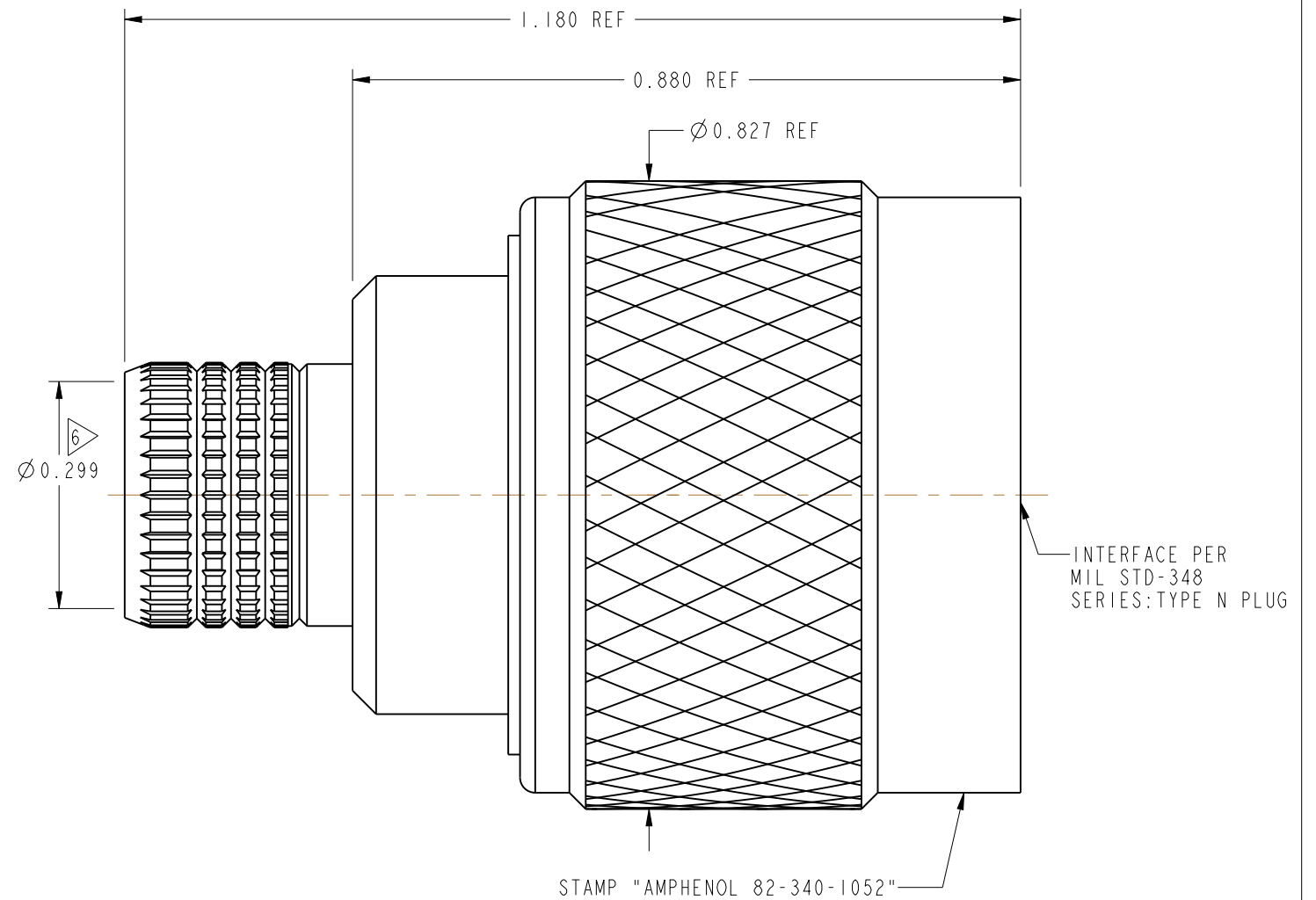
RECOMMENDED CABLE STRIPPING DIMENSIONS

THIRD ANGLE PROJ.

| | | REVISIONS | | |
|-----|----------------------------|-----------|-------|-------|
| REV | DESCRIPTION | DATE | ECO | APPR |
| -- | RELEASE TO MFG. | ----- | ----- | ----- |
| D | REDRAWN IN PRO-E , ADD COD | 2/24/14 | 49780 | CL |



SCALE 1.500



MIL-C-39012 INSPECTION

CUSTOMER OUTLINE DRAWING

ALL OTHER SHEETS ARE FOR INTERNAL USE ONLY

| | | | | | | | |
|---|------------------------------|----------|-----------|--|--|-----------------------------------|--|
| UNLESS OTHERWISE SPECIFIED, DIMENSIONS ARE IN INCHES AND TOLERANCES ARE: 2 PLACE DECIMAL 3 PLACE DECIMAL ANGLES ±.015 (0,381 mm) ±.005 (0,127 mm) ± 1° | MATERIAL | DRAWN | DATE | TITLE QUICK CRIMP "N" PLUG FOR SOLID DIELECTRIC FOR (BELDEN 9913 & 9914) CABLES | | Amphenol RF www.amphenolrf.com | |
| | SEE NOTES | CLEMENT | 23-Oct-13 | | | | |
| | REFERENCE | ENGINEER | DATE | SCALE: 4.5:1.0 SHEET 2 OF 2 | | DRAWING NO. 82-340-1052 | |
| | EAR # 962090-5 (611X-3354) | CLEMENT | 23-Oct-13 | | | | |
| NOTICE - These drawings, specifications, or other data (1) are, and remain the property of Amphenol corp. (2) must be returned upon request; and (3) are confidential and not to be disclosed to any person other than those to whom they are given by Amphenol Corp. the furnishing of these drawings, specifications, or other data by Amphenol Corp., or to any other person to anyone for any purpose is not to be regarded by implication or otherwise in any manner licensing, granting rights to permitting such holder or any other person to manufacture, use or sell any product, process or design, patented or otherwise, that may in any way be related to or disclosed by said drawings, specifications, or other data. | CONFIGURATION LEVEL: In Work | APPROVED | DATE | DWG SIZE B | | REV D | |
| FINISH | K. CAPOZZI | 2/21/14 | | | | | |
| | | CAD FILE | | | | ITEM NO. 82-340-1052 | |
| | | | | | | PART NO. 82-340-1052 | |