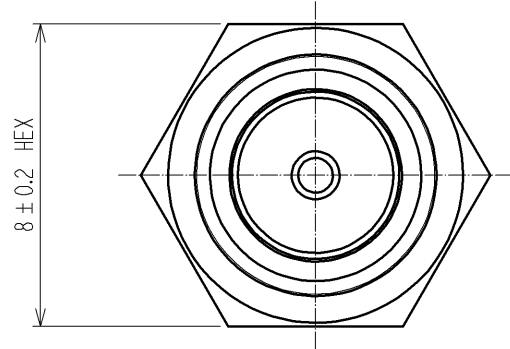


1 2 3 4

A

A



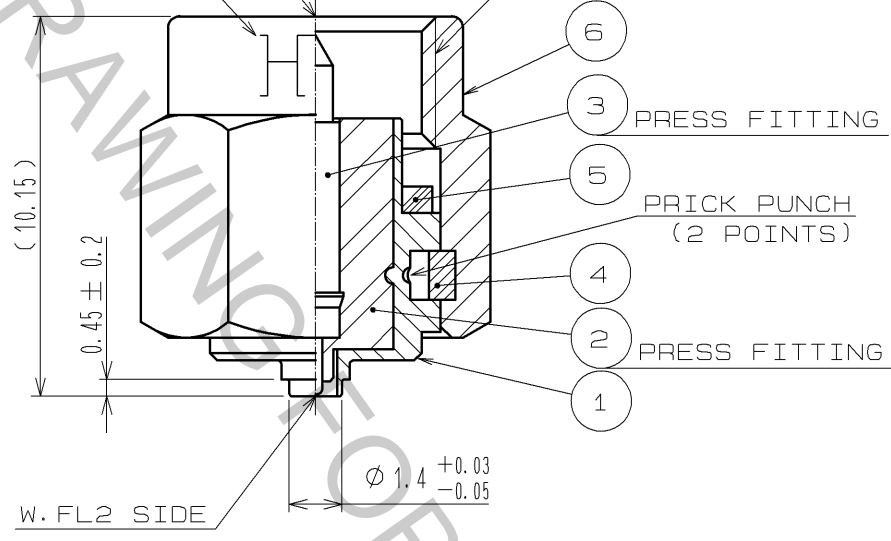
B

B

HRM(SMA) SIDE

MARKING  
HRS

1/4-36UNS-2B



3 PRESS FITTING

5 PRICK PUNCH  
(2 POINTS)

2 PRESS FITTING

W. FL2 SIDE

Ø 1.4 +0.03  
-0.05

D

D

NOTE. USE ONLY FOR ELECTRICAL MEASUREMENT  
BECAUSE OF NO LOCKING DEVICE IN MATING  
PORTION ON W. FL2 SIDE.

E

E

RoHS COMPLIANT

3	PHOSPHOR BRONZE	GOLD PLATING	6	STAINLESS STEEL	PASSIVATE
2	PTFE		5	SILICONE RUBBER	(RED)
1	STAINLESS STEEL	NICKEL PLATING	4	BERYLLIUM COPPER	NICKEL PLATING
NO.	MATERIAL	FINISH . REMARKS	NO.	MATERIAL	FINISH . REMARKS

UNITS mm		SCALE 5 : 1	COUNT 	DESCRIPTION OF REVISIONS	DESIGNED	CHECKED	DATE
-------------	--	----------------	-----------	--------------------------	----------	---------	------

F

F

<b>HRS</b> HIROSE ELECTRIC CO., LTD.	APPROVED : MH. YAMANE	09. 02. 18	DRAWING NO.	EDC4-305238-00
	CHECKED : NK. NINOMIYA	09. 02. 17	PART NO.	HRMP-W. FL2J
	DESIGNED : TM. YOSHIDA	09. 02. 17	CODE NO.	CL311-0394-6-00
	DRAWN : TM. YOSHIDA	09. 02. 17		