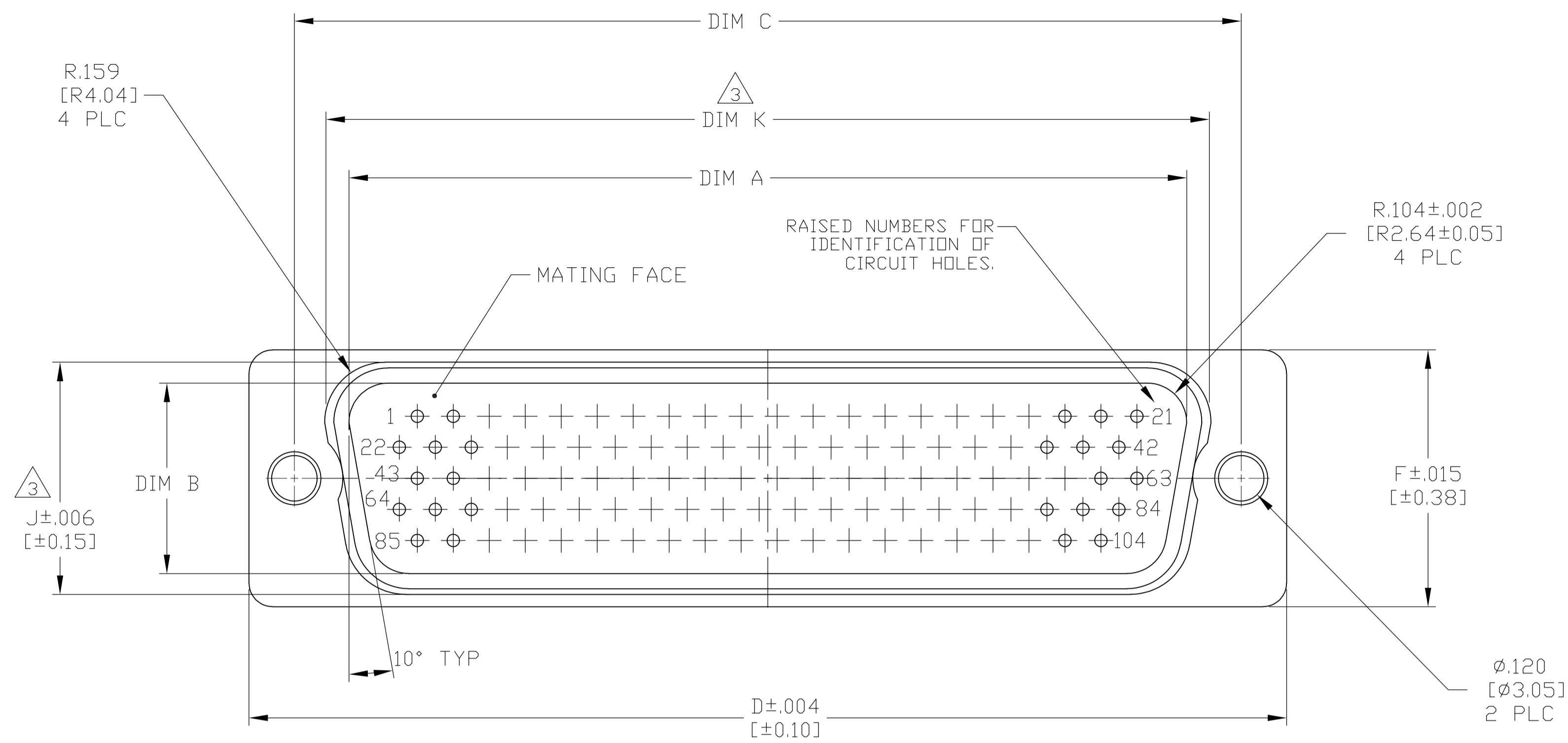
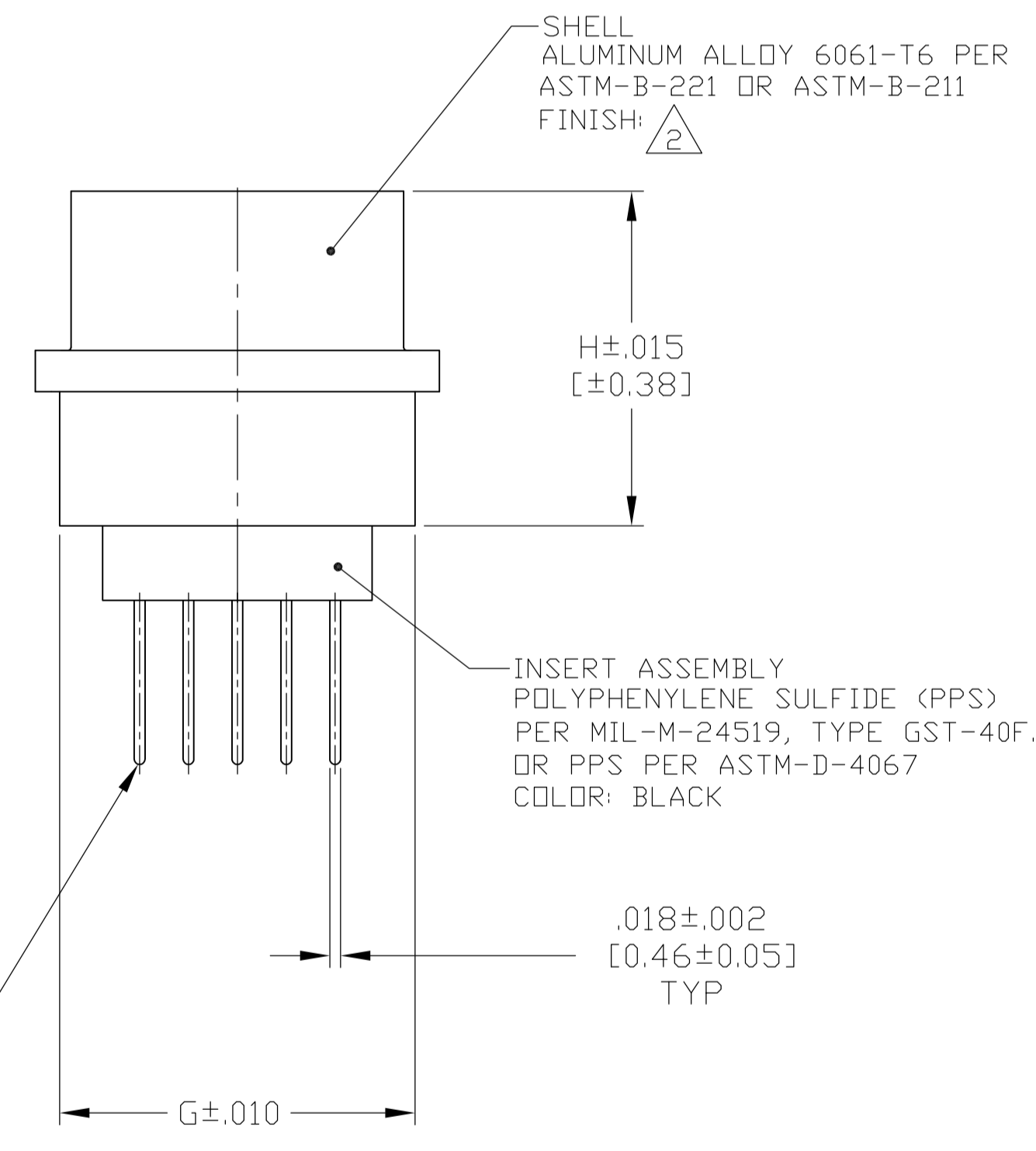
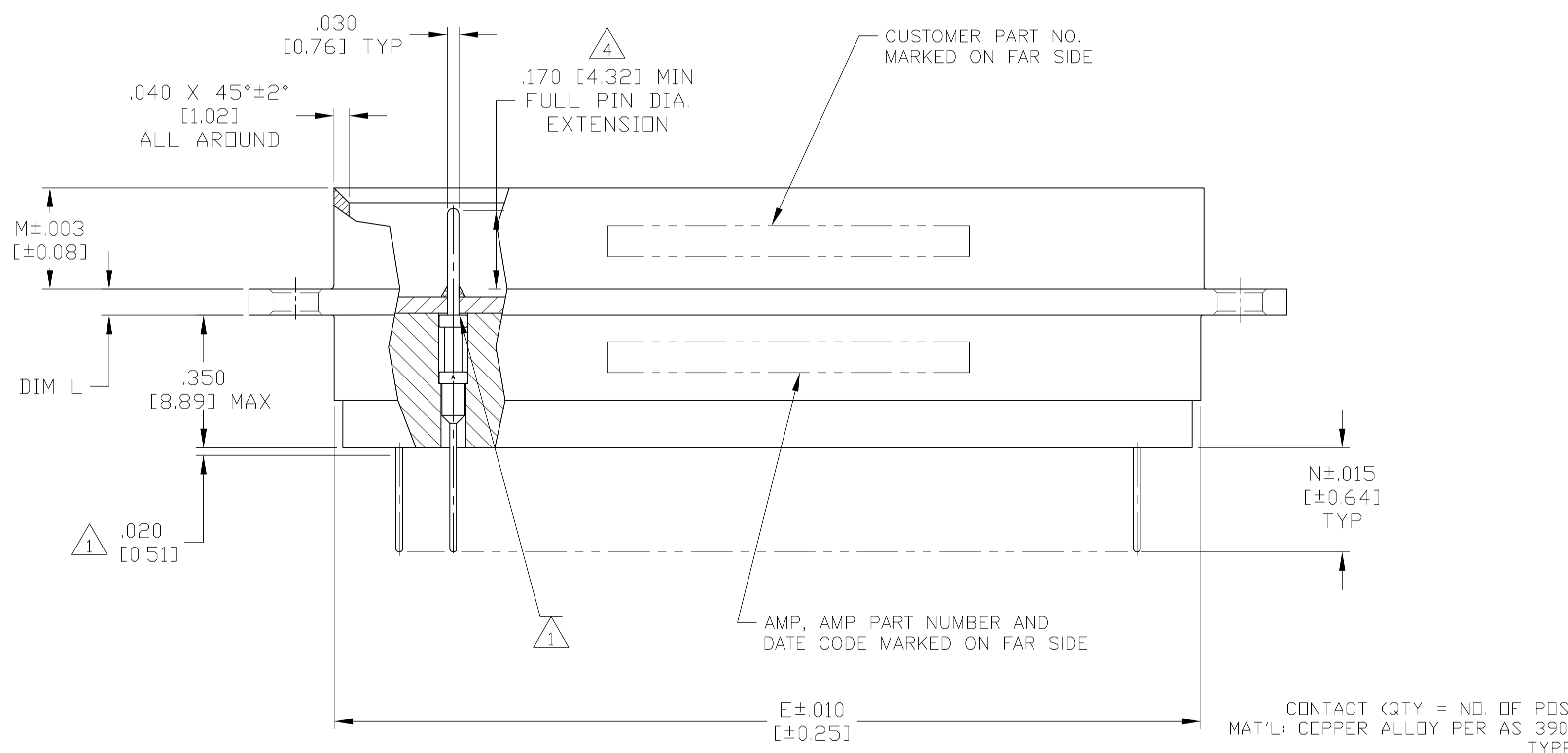


LOC		DIST		REVISIONS			
P	LTR	DESCRIPTION	DATE	DN	APVD	CT	RL
J		REV PER ECO 11-006931	6-17-13	CT	RL		



- 1 CONNECTOR ASSEMBLED WITH SIZE 22 POSTED CONTACTS THAT HAVE BEEN SEALED WITH EPOXY TO PREVENT MIGRATION OF FLUX AND CONFORMAL COATING.
- 2 FINISH: ANODIZED .000100 MIN THK PER MIL-A-8625, TYPE II, CLASS I, HOT WATER SEAL.
- 3 FEATURE 100% VERIFIED PER HAMILTON SUNDSTRAND 1012630.
- 4 FEATURE AQL INSPECTED PER HAMILTON SUNDSTRAND 1012630.



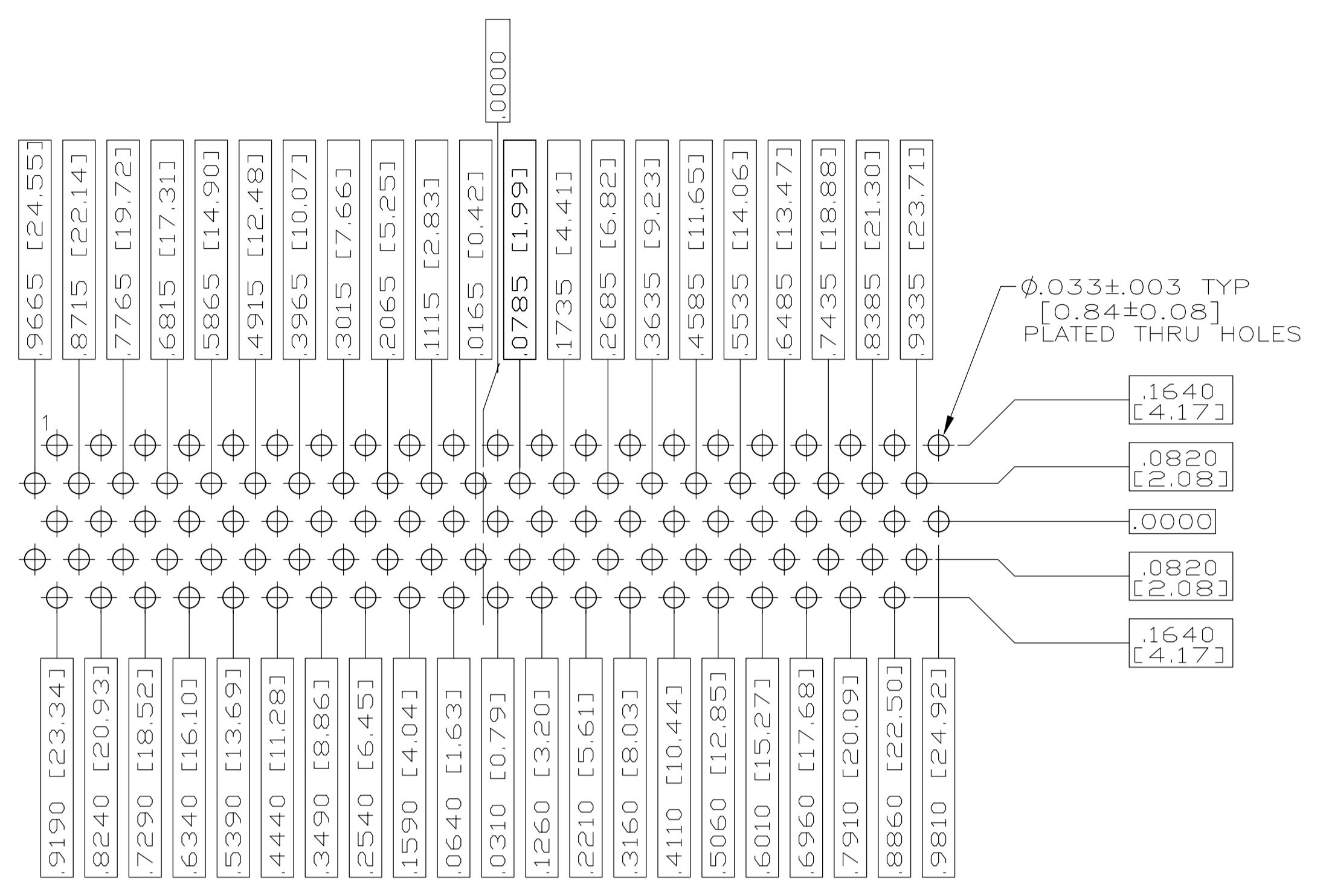
CONTACT (QTY = NO. OF POSN.):
 MAT'L: COPPER ALLOY PER AS 39029,
 TYPE A
 FINISH: GOLD PLATED PER
 ASTM-B-488, TYPE II,
 CODE C, CLASS 1.25 OVER NICKEL
 PER AMS-QQ-N-290, CLASS 1

104	73030 SOCN 1012630-1	.275 [6.99]	.267 [6.78]	.078 [1.98] [.060 [1.52]]	2.340 [59.44]	.613 [15.57]	.561 [14.25]	.608 [15.44]	.668 [16.97]	2.313 [58.75]	2.740 [69.60]	2.500 [63.50]	.503 [12.78]	2.212 [56.18]	6	1883500-4
104	73030 SOCN 1012630-3	.175 [4.45]	.267 [6.78]	.078 [1.98] [.060 [1.52]]	2.340 [59.44]	.613 [15.57]	.561 [14.25]	.608 [15.44]	.668 [16.97]	2.313 [58.75]	2.740 [69.60]	2.500 [63.50]	.503 [12.78]	2.212 [56.18]	6	1883500-3
62	73030 SOCN 1012630-2	.175 [4.45]	.257 [6.53]	.078 [1.98] [.060 [1.52]]	2.305 [58.55]	.440 [11.18]	.561 [14.25]	.438 [11.13]	.494 [12.55]	2.284 [58.01]	2.740 [69.60]	2.500 [63.50]	.324 [8.23]	2.172 [55.17]	4	1883500-2
NO OF POSITIONS	CUSTOMER PART NO.	DIM N	DIM M	DIM L	DIM K	DIM J	DIM H	DIM G	DIM F	DIM E	DIM D	DIM C	DIM B	DIM A	SHELL SIZE	PART NO.

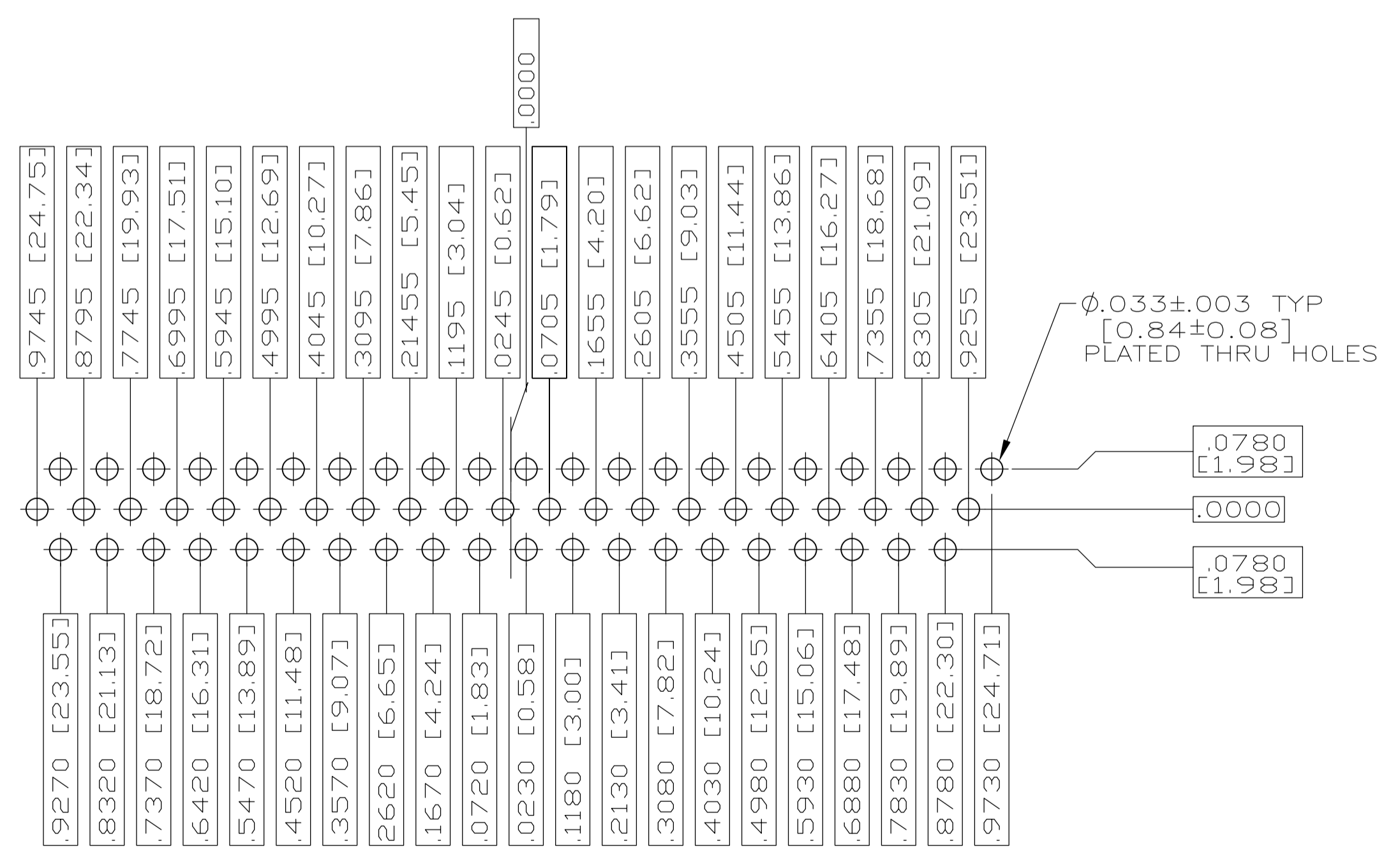
THIS DRAWING IS A CONTROLLED DOCUMENT.

DIMENSIONS: INCHES	TOLERANCES UNLESS OTHERWISE SPECIFIED:	DIN C.C.THOMAS 7-11-06	APVD D.MILLER 7-12-06	NAME D.MILLER
0 PLC ± -	1 PLC ± -	2 PLC ± -	3 PLC ± .005 [0.13]	4 PLC ± -
ANGLES ± ± 0°30'	MATERIAL SEE CALLOUT			
FINISH SEE CALLOUT		WEIGHT -	SIZE A1	CAGE CODE 00779
CUSTOMER DRAWING		SCALE 4:1	SHEET 1 OF 2	REV J

STE TE Connectivity
 PLUG ASSY., AMPLIMITE, SERIES 90, BLINDMATE WITH POSTED CONTACTS, SEALED
 DRAWING NO. 1883500



RECOMMENDED P.C. BOARD LAYOUT
SHELL SIZE 6 (104 POSITION)



RECOMMENDED P.C. BOARD LAYOUT
SHELL SIZE 4 (62 POSITION)

THIS DRAWING IS A CONTROLLED DOCUMENT.		DNW C.C.THOMAS 7-11-06	 TE Connectivity
DIMENSIONS: INCHES		CHK D.MILLER 7-12-06	
TOLERANCES UNLESS OTHERWISE SPECIFIED:		APVO D.MILLER 7-12-06	NAME
0. PLC ± - 1. PLC ± - 2. PLC ± - 3. PLC ± .005 [0.13] 4. PLC ± - ANGLES ± 0°30'		PRODUCT SPEC	PLUG ASSY., AMPLIMITE, SERIES 90, BLINDMATE WITH POSTED CONTACTS, SEALED
MATERIAL SEE CALLOUT		WEIGHT	SIZE CASE CODE DRAWING NO A1 00779 C=1883500
FINISH SEE CALLOUT		CUSTOMER DRAWING	RESTRICTED TO SCALE 4:1 SHEET 2 OF 2 REV J