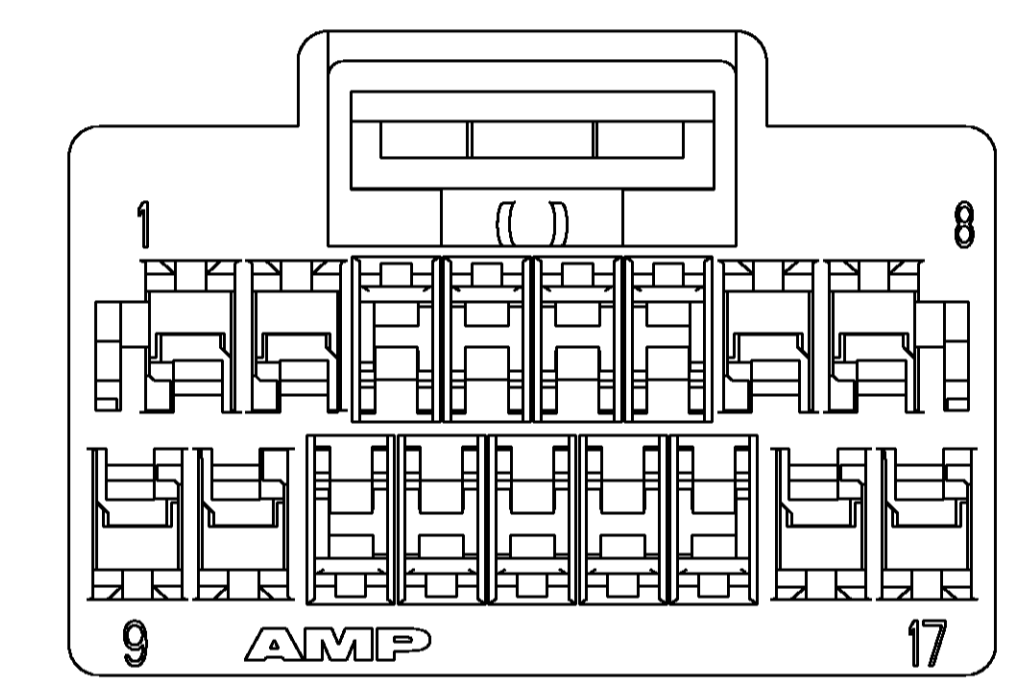
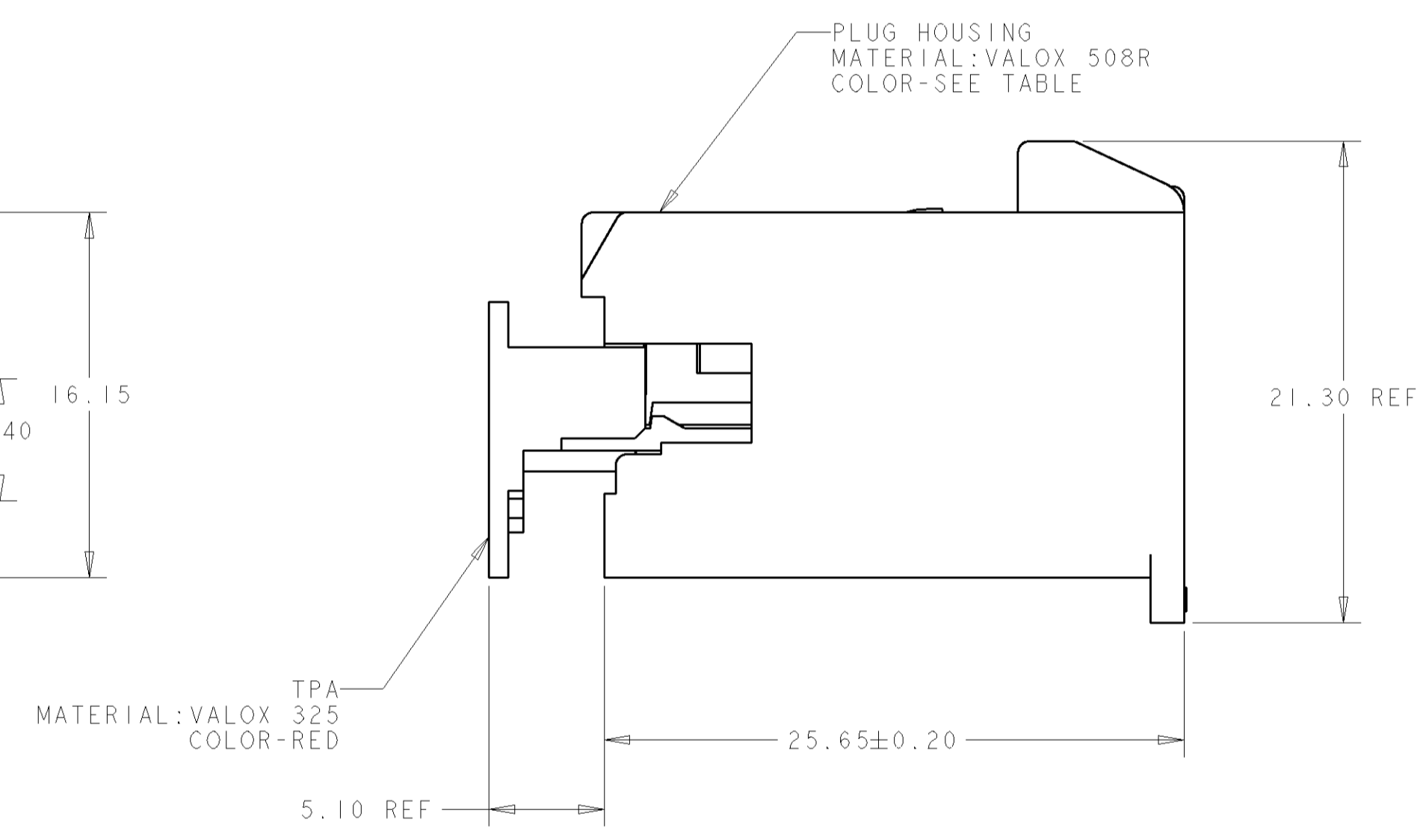
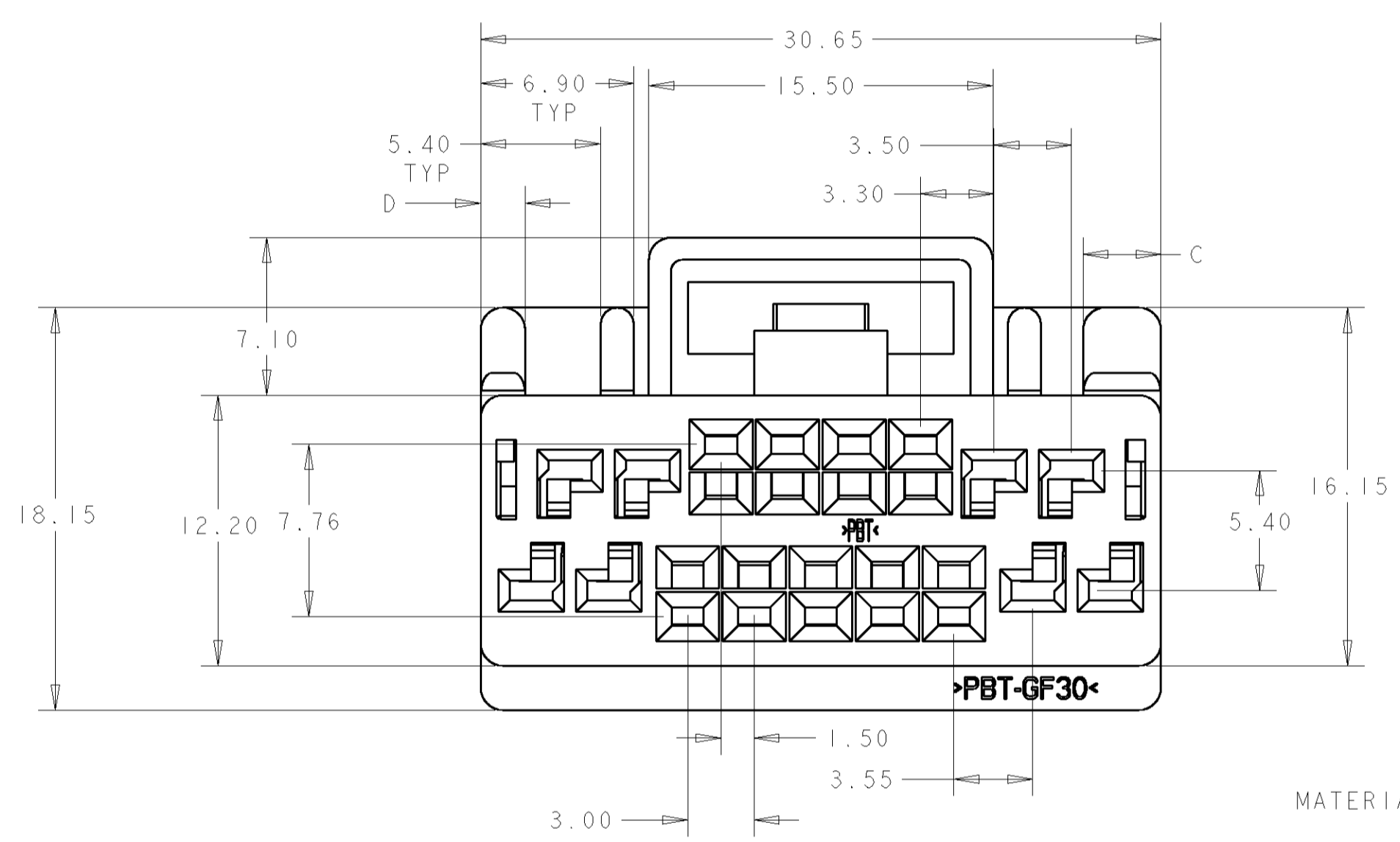
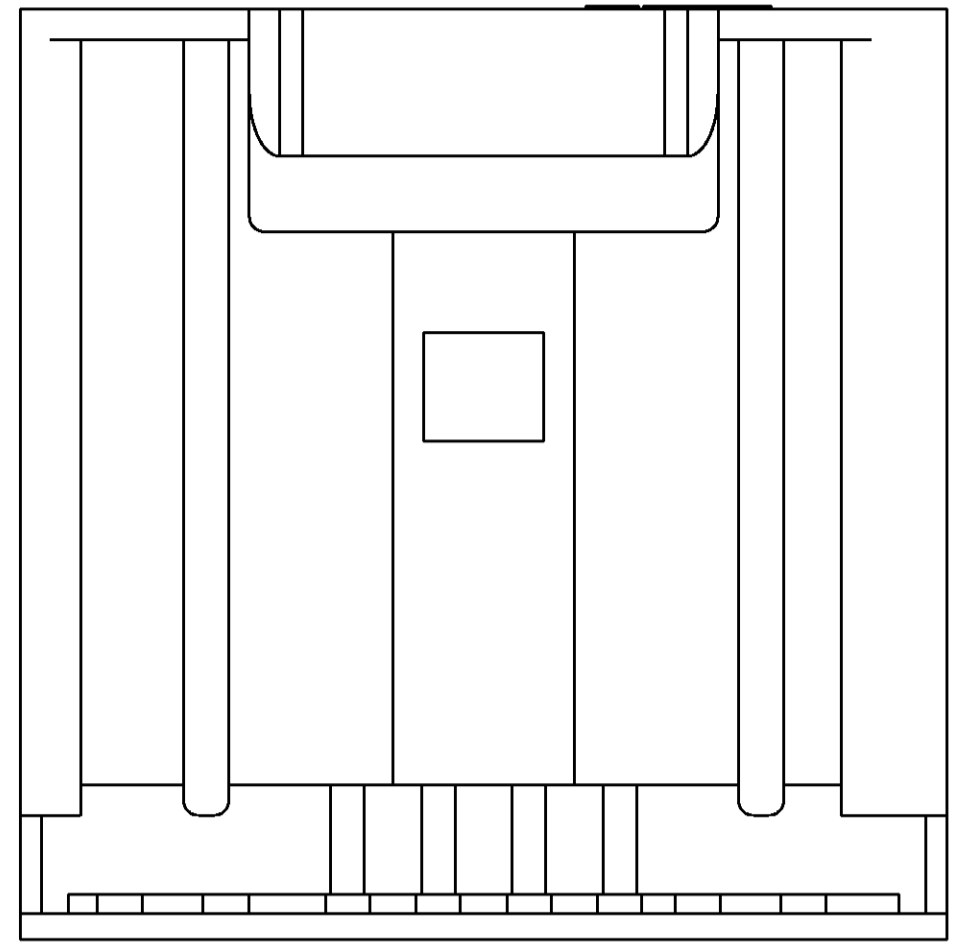
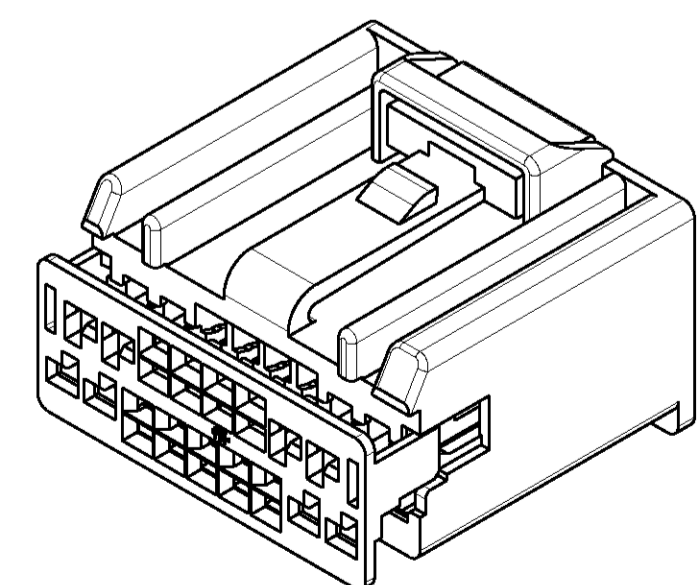


LOC	DIST	REVISIONS			
F	LTR	DESCRIPTION	DATE	DWN	APVD
FX	00	A	REVISED PER EC #0R80-0076-99	06JUL99	JRB CBP

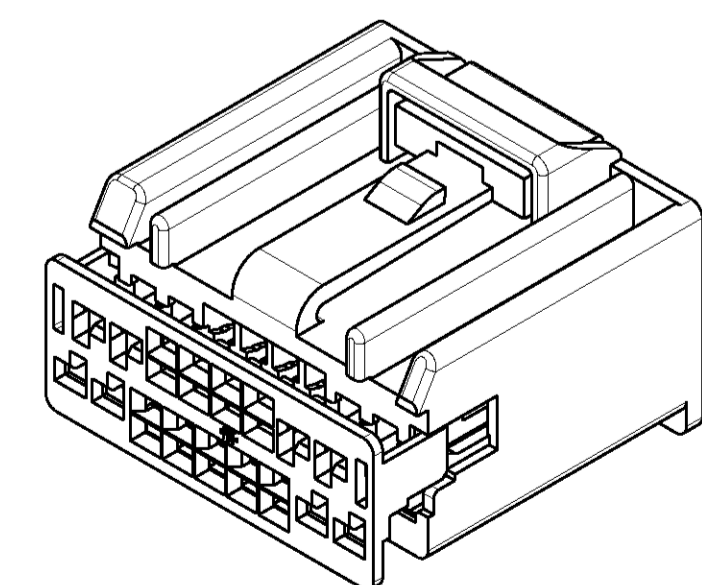


638116-1 SHOWN
KEY A CONFIGURATION

1. TO BE USED WITH RECEPTACLE CONTACT P/N'S:
638187-1 & -2



638116-1
KEY A CONFIGURATION
SCALE 2:1



638116-2
KEY B CONFIGURATION
SCALE 2:1

B	3.50	2.00	GRAY	638116-2
A	2.00	3.50	BLACK	638116-1
KEY CONFIGURATION	D	C	COLOR	PART NUMBER

<small>THIS DRAWING IS A CONTROLLED DOCUMENT FOR AMP INCORPORATED. ALL CHANGES TO THIS DRAWING AND THE CONTROLS ON THESE CHANGES SHOULD BE CONTACTED FOR THE LATEST REVISION.</small>		DWN J. MCNEAL 01-14-98 CRK R. GRAY 01-14-98 APVD R. GRAY 01-14-98	AMP Incorporated Harrisburg, PA 17105-3608
DIMENSIONS: mm	TOLERANCES UNLESS OTHERWISE SPECIFIED: 0 PLC ± 1 PLC ±0.2 2 PLC ±0.1 3 PLC ± 4 PLC ±0.0001 ANGLES ±	NAME 17 POSITION HYBRID PLUG ASSEMBLY	SIZE A1
MATERIAL -	FINISH -	WEIGHT -	CAGE CODE 00779 DRAWING NO 638116 SCALE 2:1 SHEET 1 OF 1 REV A
CUSTOMER DRAWING			