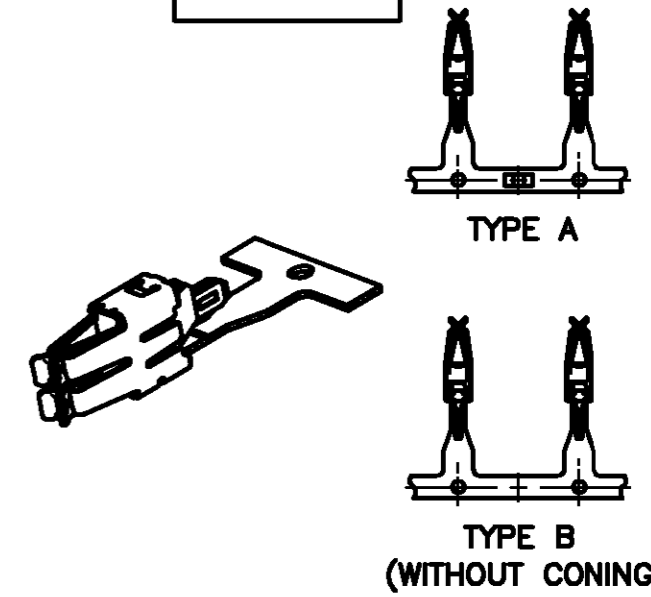
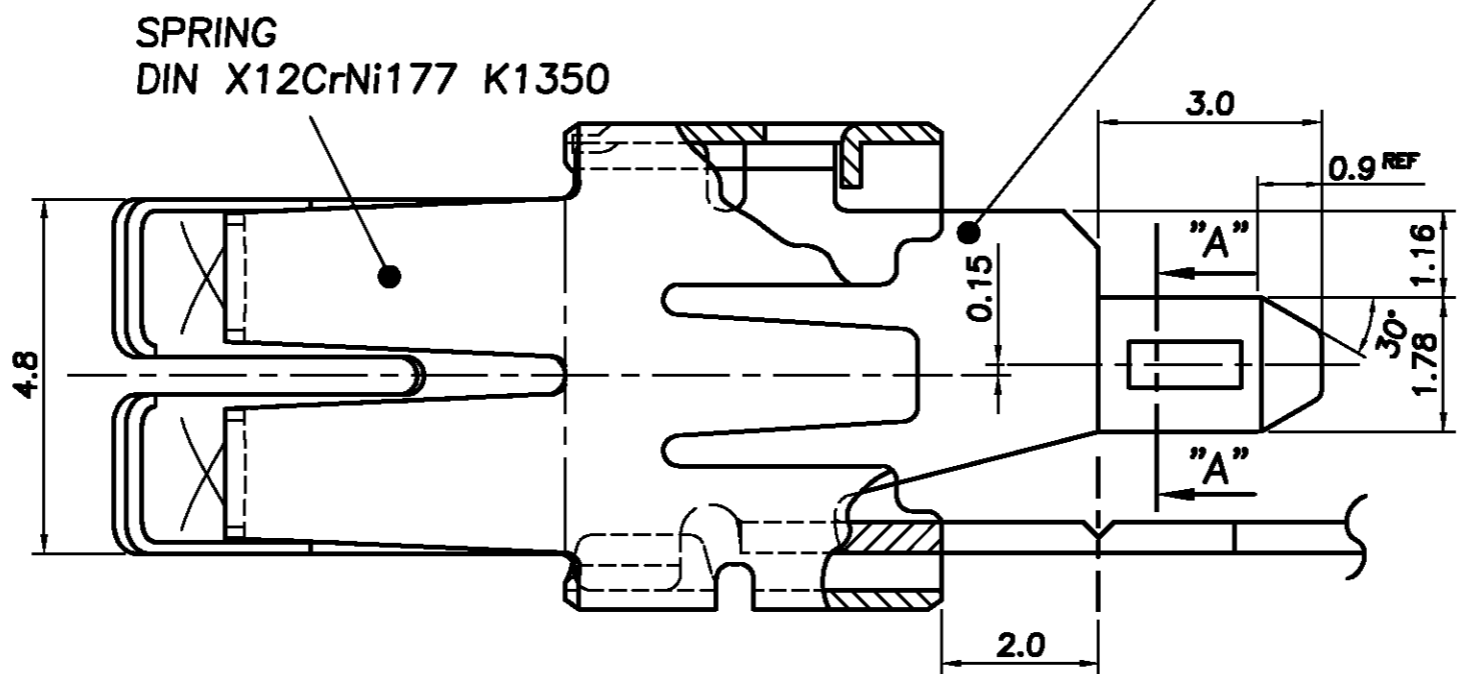
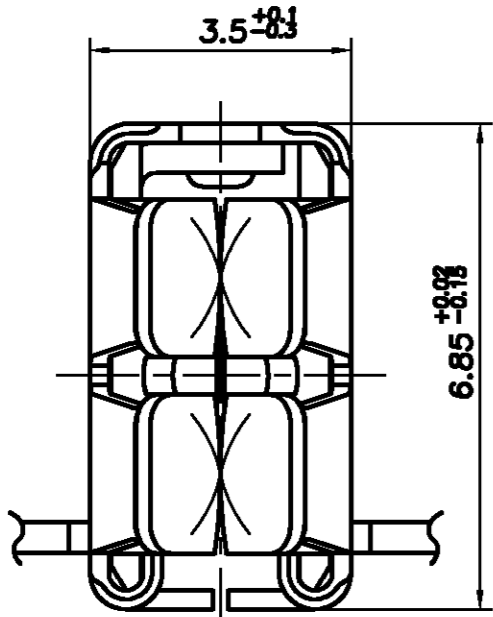
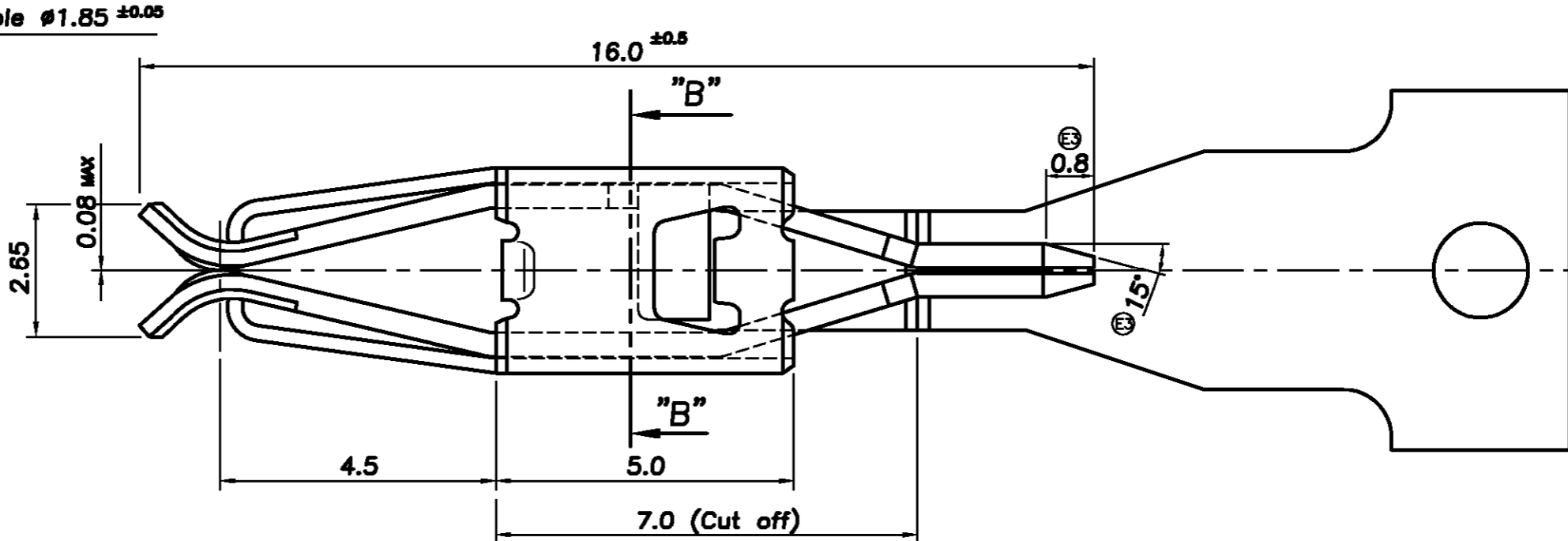
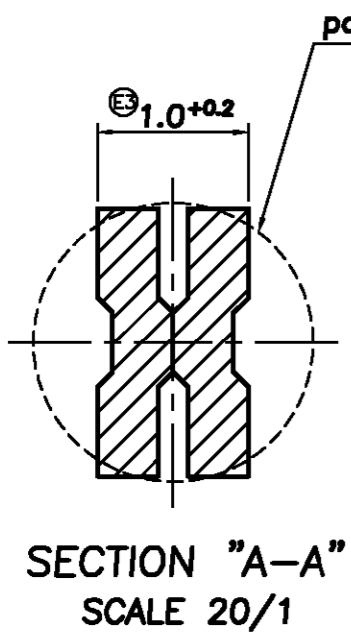
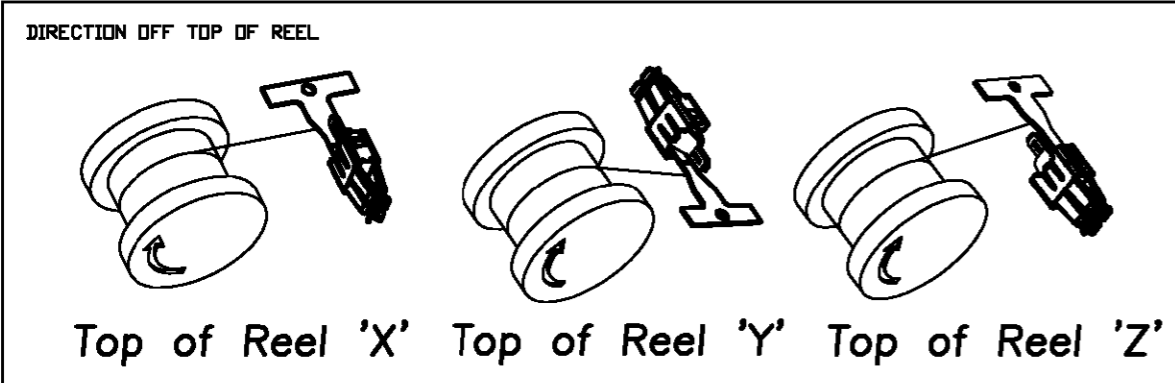


THIS DRAWING IS UNPUBLISHED. RELEASED FOR PUBLICATION
 © COPYRIGHT BY TYCO ELECTRONICS CORPORATION. ALL RIGHTS RESERVED.

LOC	DIST	REVISIONS					
		P	LTR	DESCRIPTION	DATE	DWN	APVD
DS		E1	REVISED	ECR-06-002095	20,JAN'08	YH	JK
		E2	REVISED	ECR-06-002993	07,FEB'08	YH	JK
		E3	REVISED	ECR-06-004324	13,SEP'08	BS	JK



	TOP OF REEL	PART NUMBER	REEL TYPE	REMARK
'Y'	2-	368028 -1	TYPE B	1POST
'X'	1-	368028 -2	TYPE A	
'Y'	1-	368028 -1		
'Z'		368028 -1		



THIS DRAWING IS A CONTROLLED DOCUMENT FOR TYCO ELECTRONICS CORPORATION. IT IS SUBJECT TO CHANGE AND THE CONTROLLING ENGINEERING ORGANIZATION SHOULD BE CONTACTED FOR THE LATEST REVISION.

DIMENSIONS: MM	TOLERANCES UNLESS OTHERWISE SPECIFIED: 0 <XX<10 ± 0.2 10 <XX<30 ± 0.25 30 <XX<100 ± 0.3 ANGLES ± 3°
3rd ANGLE PROJECTION	
MATERIAL: CuNiSi Alloy 0.4Thk.	FINISH: PRE-TINNED

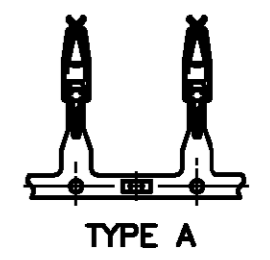
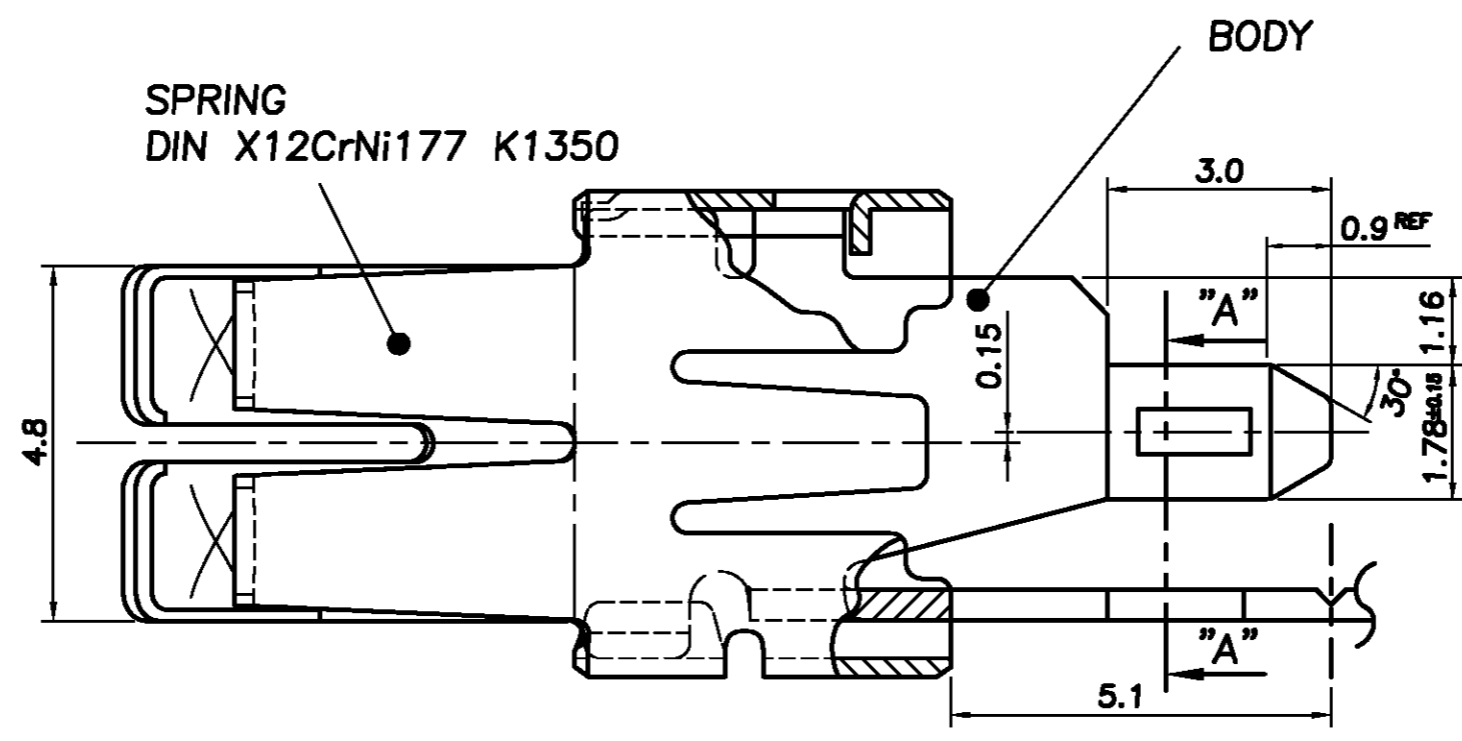
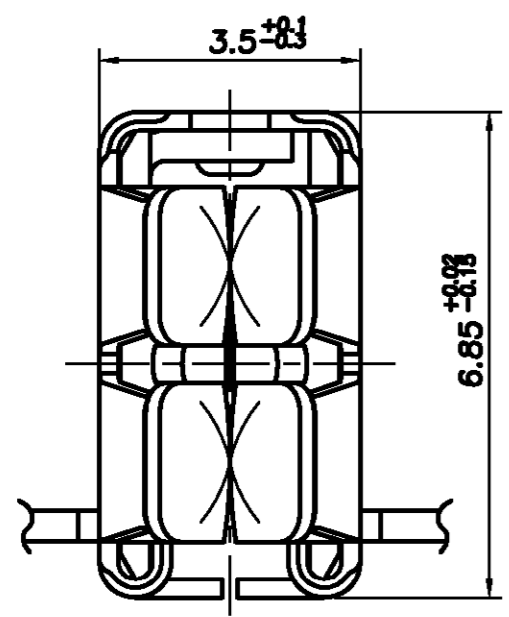
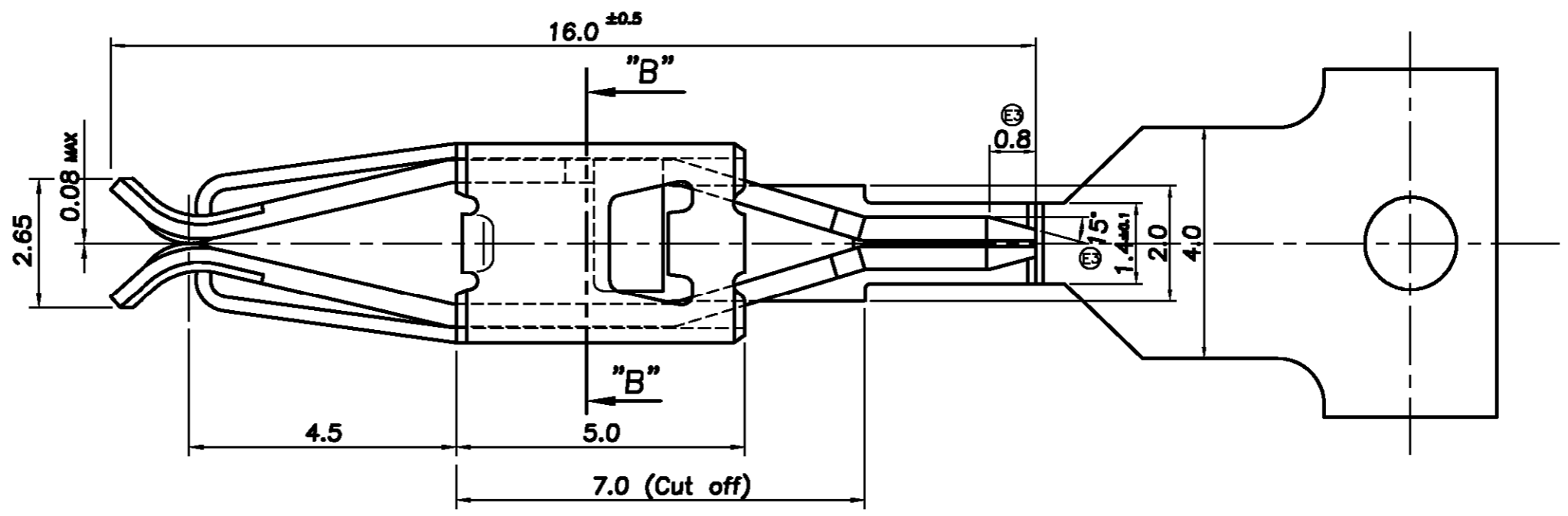
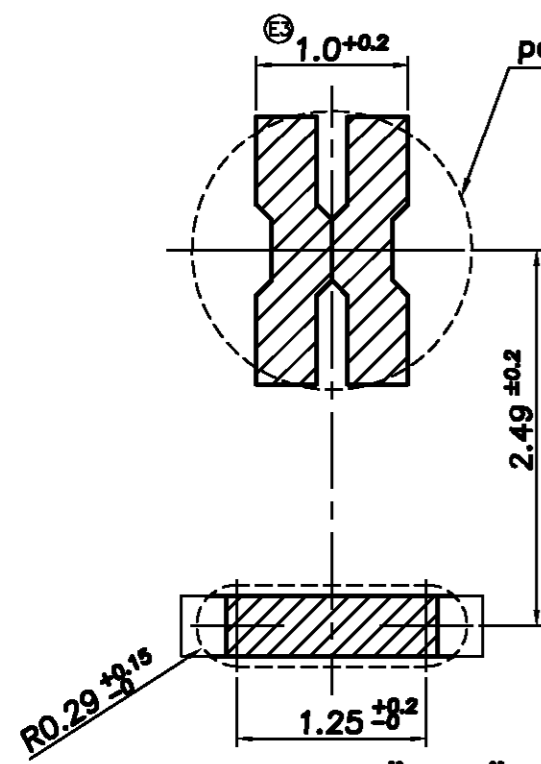
DWN: BS.YOO	CHK: YM.CHOI
APVD: JK SONG	PRODUCT SPEC: 108-61041
APPLICATION SPEC:	WEIGHT: NET. 1.02gf

tyco AMP KOREA, kyungsan, korea
Electronics

NAME: STANDARD POWER TIMER CONTACT FOR P.C.B - W/O LATCH

SIZE: A3	CAGE CODE: 00779	DRAWING NO: 368028	RESTRICTED TO:
CUSTOMER DRAWING			SCALE 10/1 SHEET 1 OF 2 REV E3

LOC		DIST		REVISIONS			
P	LTR	DESCRIPTION	DATE	DWN	APVD		
SEE SHEET 1 OF 2							



'Y'	1- 368028 -3	TYPE A	2 POST
'X'	0- 368028 -3		
TOP OF REEL	PART NUMBER	REEL TYPE	REMARK

tyco Electronics		AMP KOREA, kyungsan, korea	
NAME STANDARD POWER TIMER CONTACT FOR P.C.B - W/O LATCH			
SIZE	CAGE CODE	DRAWING NO	RESTRICTED TO
A3	00779	C= 3 6 8 0 2 8	
WEIGHT NET. 1.06gf		SCALE 10/1	SHEET 2 OF 2
CUSTOMER DRAWING		REV E3	

DIMENSIONS: MM		TOLERANCES UNLESS OTHERWISE SPECIFIED:	
3rd ANGLE PROJECTION		0 <XX<10 ± 0.2	APVD
		10 <XX<30 ± 0.25	PRODUCT SPEC 108-61041
MATERIAL CuNiSi Alloy 0.4Thk.		FINISH PRE-TINNED	APPLICATION SPEC

DIRECTION OFF TOP OF REEL

SEE SHEET 1 OF 2

