

THIS DRAWING IS UNPUBLISHED.

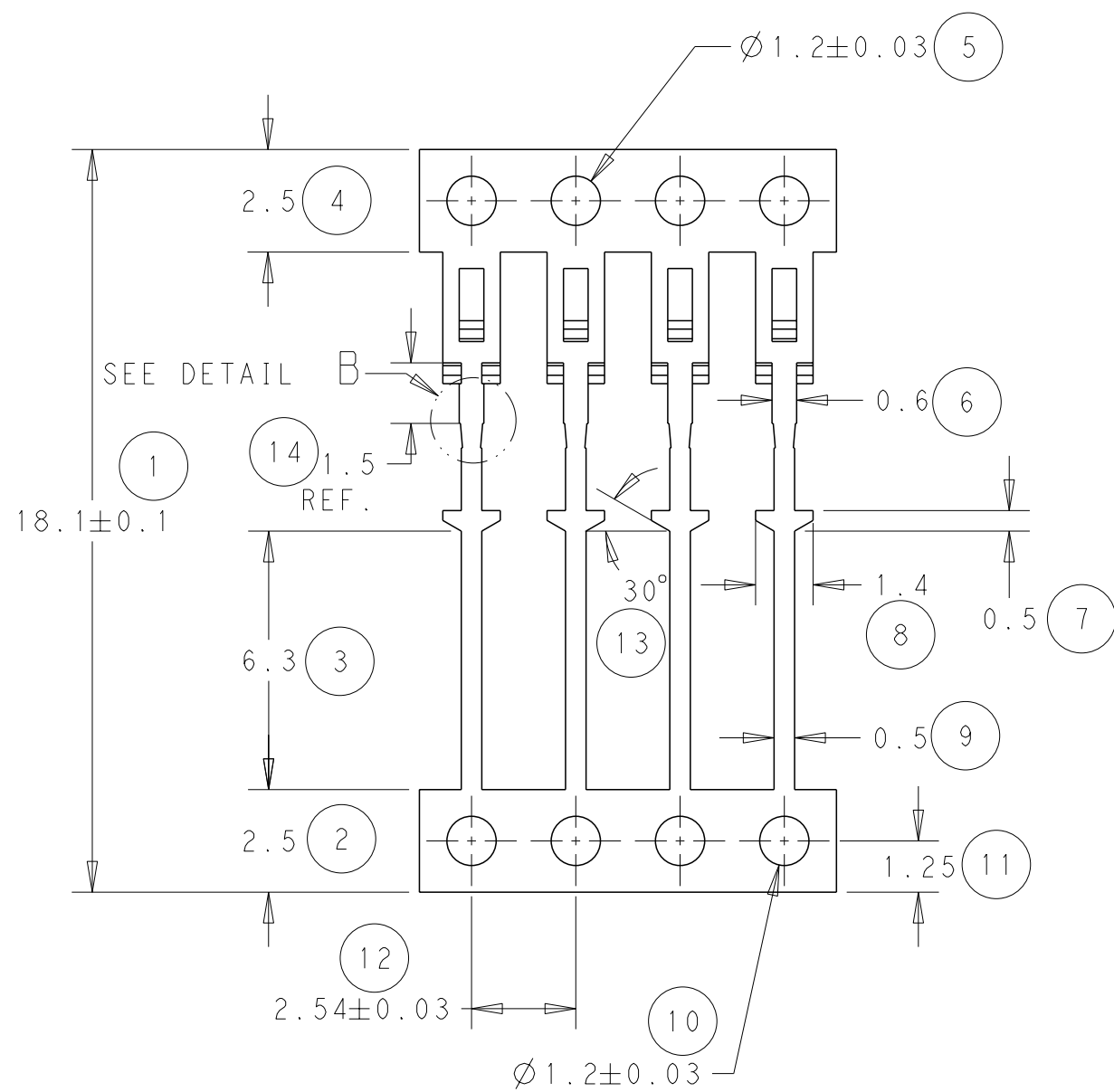
RELEASED FOR PUBLICATION

2011

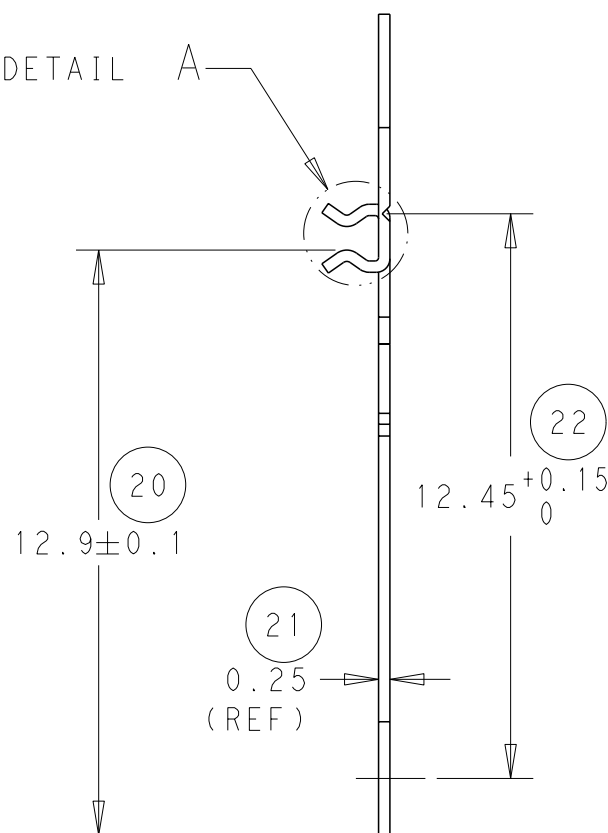
© COPYRIGHT 2011

ALL RIGHTS RESERVED.

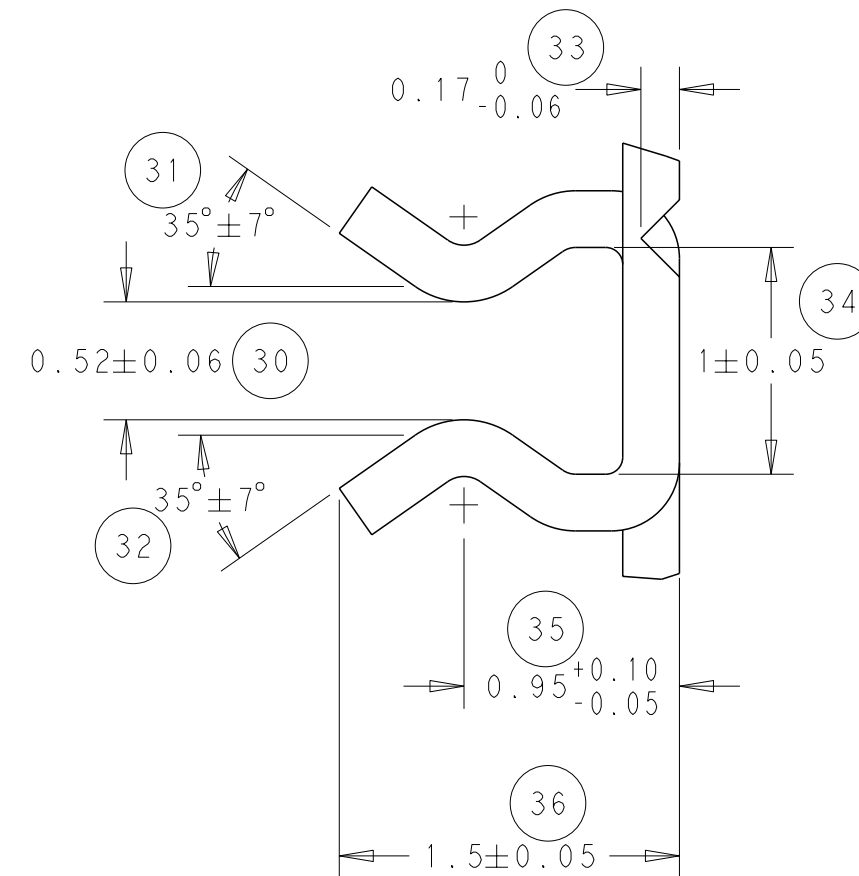
LOC	DIST	REVISIONS				
P	LTR	DESCRIPTION	DATE	DWN	APVD	
AI	-	E	ECR-11-02470	07DEC2011	JB	MG



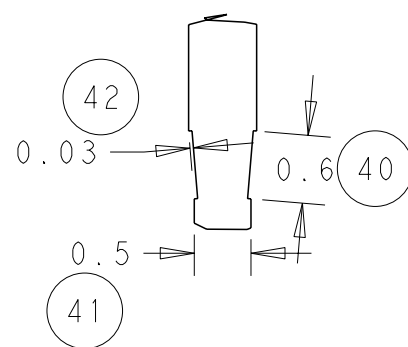
SEE DETAIL A



DETAIL A
SCALE 30:1

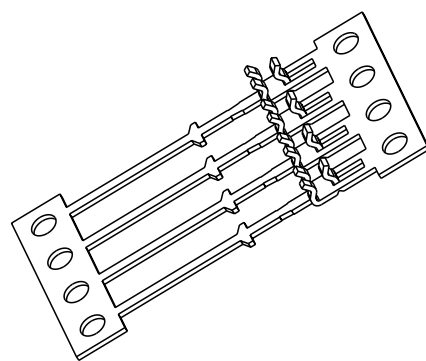


DETAIL B
SCALE 15:1

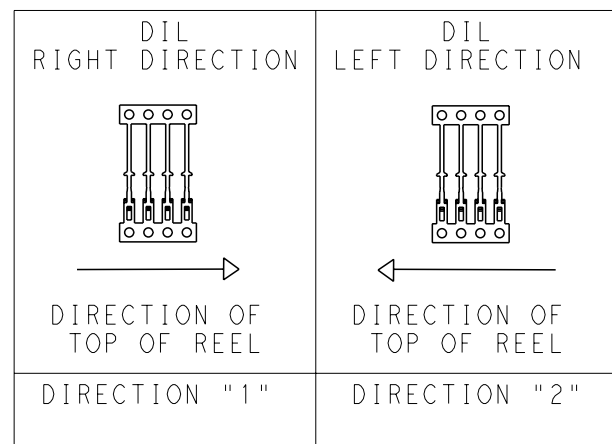


NOTE
 BOWING: AFTER UPPER TIE BAR REMOVAL-1.5mm MAX. FOR 500mm
 PITCH: AFTER UPPER TIE BAR REMOVAL-2.54±0.127
 INTERIOR RADS 0.1mm TYPICAL

1	Ni: 112-25-3 (1.27-3 MICRONS) Sn: 112-65-1 (MIN 4 MICRONS)	1544200-2
2	Sn: 112-16-4 (3-7 MICRONS)	1544200-3
1		1544200-1
REELING	FINISH	PART NUMBER



SCALE 3:1



THIS DRAWING IS A CONTROLLED DOCUMENT.

DIMENSIONS:	TOLERANCES UNLESS OTHERWISE SPECIFIED:
mm	
	0 PLC ±-
	1 PLC ±-
	2 PLC ±0.05
	3 PLC ±-
	4 PLC ±-
	ANGLES ±1°
MATERIAL	FINISH

DWN	07/12/2011
J. BRIGHT	
CHK	07/12/2011
M. GREENER	
APVD	-
PRODUCT SPEC	-
APPLICATION SPEC	-
WEIGHT	-



DIL LEADFRAME

CUSTOMER DRAWING	SCALE 6:1	SHEET 1 OF 1	REV E
------------------	-----------	--------------	-------