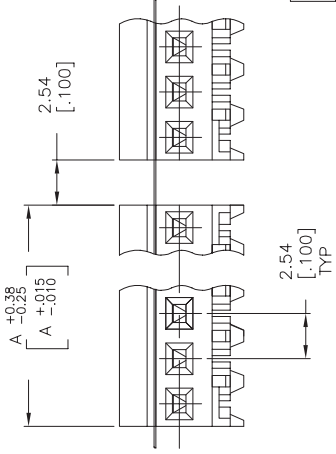
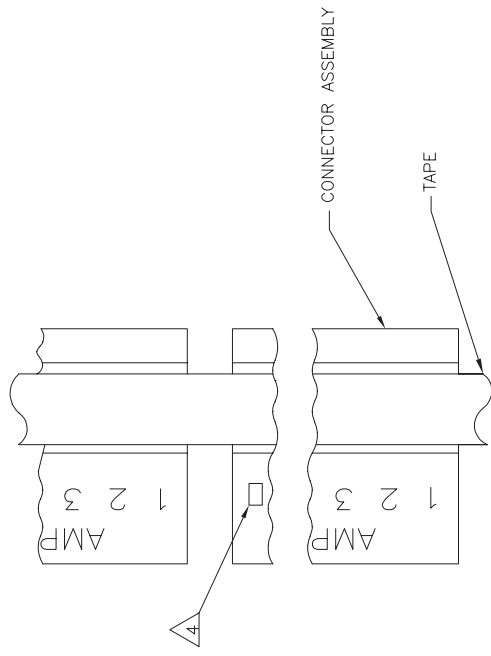


1 MATERIAL: CONNECTOR - NYLON UL94V-2 (WHITE).
 CONTACTS - 0.30[.012] THICK COPPER ALLOY
 MATTE WHISKER MITIGATED TIN
 0.00203[.000080] MIN THICKNESS
 OVER NICKEL UNDERPLATE OR BRIGHT
 TIN-LEAD 93/7 0.00203[.000080] MIN
 THICKNESS. SEE FINISH COLUMN FOR
 PLATING TYPE.

2. CONTACTS ACCEPT 24 AWG WIRE WITH 1.52[.060] MAX
 INSULATION DIAMETER.
 3. CONTACTS MUST ACCEPT 0.36-0.51[.014-.020] SQUARE
 OR ROUND POST AND REMAIN LOCKED IN POSITION.
 4 IDENTIFICATION NUMBER FOR LAST CIRCUIT MAY
 NOT APPEAR ON ALL ASSEMBLIES.
 5. DIMENSIONS IN BRACKETS ARE IN INCHES.
 6. HOUSING FEATURES ARE: CLOSED END WITH LOCKING
 RAMP & LED CONTACT.



TIN	7.62 [.300]	3	3-643347-3
TIN-LEAD	5.08 [.200]	2	3-643347-2
FINISH	5.08 [.200]	2	643347-2
	DIM A	NO OF	PART NO
		CIRCUITS	

THIS DRAWING IS A CONTROLLED DOCUMENT.

DATE: 22 APR 91
 BY: B. LEWIS
 OK: SWING
 G. MILLER
 PRODUCT SPEC
 108-1050
 APPLICATION SPEC
 114-1019
 WEIGHT
 ANGLE
 FINISH

OTHER REVISIONS:
 DIMENSIONS: mm [INCHES]
 0 P L C ±
 1 P L C ±
 2 P L C ±
 3 P L C ±
 4 P L C ±
 5 P L C ±
 6 P L C ±
 7 P L C ±
 8 P L C ±
 9 P L C ±
 10 P L C ±
 11 P L C ±
 12 P L C ±
 13 P L C ±
 14 P L C ±
 15 P L C ±
 16 P L C ±
 17 P L C ±
 18 P L C ±
 19 P L C ±
 20 P L C ±
 21 P L C ±
 22 P L C ±
 23 P L C ±
 24 P L C ±
 25 P L C ±
 26 P L C ±
 27 P L C ±
 28 P L C ±
 29 P L C ±
 30 P L C ±

SCALE: 5:1

CUSTOMER DRAWING

TYCO ELECTRONICS CORPORATION
 Harrisburg, Pa 17105-3608

MTA-100 CONNECTOR ASSEMBLY,
 24 AWG FOR .014 TO .020 POST,
 TAPE MOUNTED, SPECIAL

SIZE: A2
 CASE CODE: 000779
 DRAWING NO: 643347

RESTRICTED TO

