

## Type RSSF Series

### Key Features

- High Power with Small Size for Space Saving
- Excellent Long Term Stability
- Complete Flameproof Construction
- High Surge/Overload Capability
- Controlled Temperature Capability
- Solvent Resistant Coat and Code

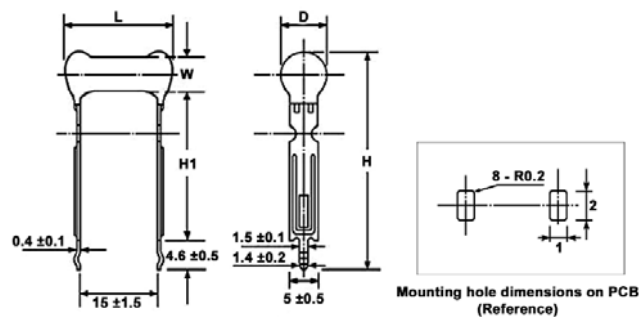


The resistive element comprises a metal oxide film deposited on a ceramic former. The element is protected by a flameproof coating which will withstand overload conditions without flame or mechanical damage. They are recommended for use in applications such as line protection, automotive, TV's, switch mode power supplies, etc...

### Characteristics - Electrical

	RSSF 3		RSSF 5	
	3		5	
Rated Power @ 70°C (W):				
Resistance Range (ohms):	1R0 – 9R1	10R – 100K	1R0 – 9R1	10R – 100K
Tolerance (%):	10	5	10	5
Code Letter:	K	J	K	J
Temp. Coefficient Max (ppm/°C):	± 200			
Selection Series:	E24			
Limiting Element Voltage (V):	500		500	
Maximum Overload Voltage (V):	800		1000	
Max Intermittent Overload Voltage (V):	1000		1500	
Operating Temp. Range (°C):	-55 to +155			
Climatic Category:	55/155/56			
Dielectric Strength (V):	1000			

### Dimensions



Style	L	D ±1.5	W ±1.5	H1 +3.0/-0	H
RSSF 3	18.0	7.5	7.5	15.0	29.0
RSSF 5-15	18.0	7.5	7.5	15.0	29.0
RSSF 5-25	18.0	7.5	7.5	25.0	29.0

Points A & B define temperature rise measurement points  
See graphs on next page

### Marking

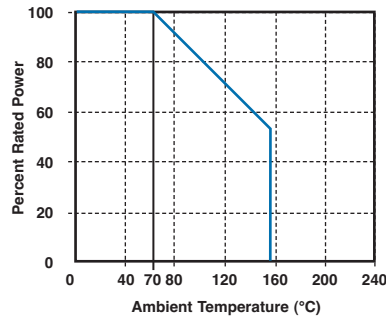
The resistors are marked alpha numerically with the type, value and tolerance.

### Packaging

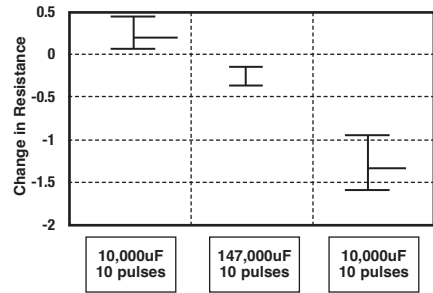
The RSSF Series resistors are packed loose in box quantities of 500 with an MOQ 1000.

## Type RSSF Series

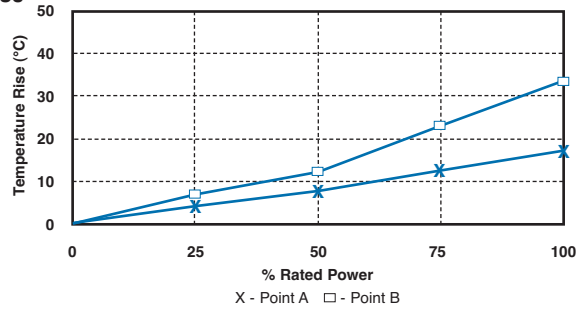
### Power Derating Curve



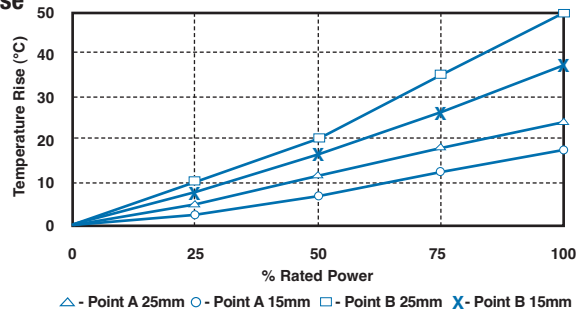
### Pulse Handling Capability RSSF 5W 1R8 5%



### Temperature Rise RSSF3 1K0



### Temperature Rise RSSF5 1K0



## Performance Characteristics

The evaluation of the performance characteristics is carried out with reference to IEC Specifications QC 400 000 and QC 400 100.

TEST REF	Long Term Tests ± (5% + 0.1 ohm)
4.23	Climatic sequence
4.24	Damp heat, steady state
4.25.1	Endurance at 70 °C
4.25.3	Endurance at 155 °C
TEST REF	Short Term Tests ± (2% + 0.05 ohm)
4.13	Overload
4.16	Robustness of terminations
4.18	Resistance to soldering heat
4.19	Rapid change of temperature
4.22	Vibration

## How to Order

RSSF	3	J	1K0
<b>Common Part</b>	<b>Size</b>	<b>Tolerance</b>	<b>Resistance Value</b>
RSSF - Flame-Proof Power Metal Oxide Film Resistor	3 = 3W 5-15 = 5W (Height 15mm) 5-25 = 5W (Height = 25mm)	J - ±5%	eg. 1K0 10K etc.

TE Connectivity, TE connectivity (logo) and TE (logo) are trademarks. Other logos, product and Company names mentioned herein may be trademarks of their respective owners.

While TE has made every reasonable effort to ensure the accuracy of the information in this datasheet, TE does not guarantee that it is error-free, nor does TE make any other representation, warranty or guarantee that the information is accurate, correct, reliable or current. TE reserves the right to make any adjustments to the information contained herein at any time without notice. TE expressly disclaims all implied warranties regarding the information contained herein, including, but not limited to, any implied warranties of merchantability or fitness for a particular purpose. The dimensions in this datasheet are for reference purposes only and are subject to change without notice. Specifications are subject to change without notice. Consult TE for the latest dimensions and design specifications.