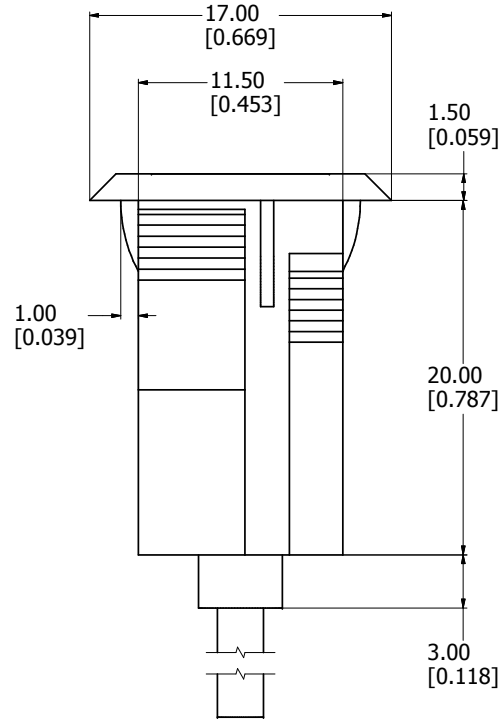
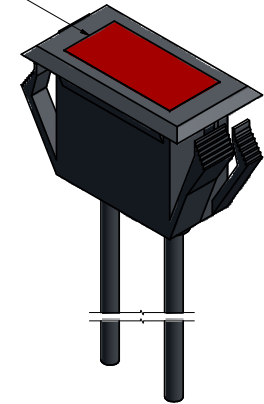


FRONT VIEW

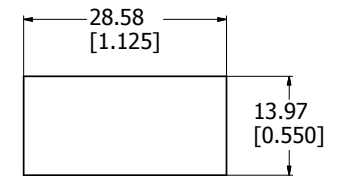


SIDE VIEW

RED NEON INDICATOR



ISOMETRIC VIEW



PANEL CUTOUT
(NOT TO SCALE)

1584PL
Ratings - 125 VAC, 1/3 Watt
Material - Body (Nylon [Black]), Lens (Polycarbonate [Red])
Recommended Panel Thickness - 0.020" to 0.250"



**HAMMOND
MANUFACTURING™**



1584PL