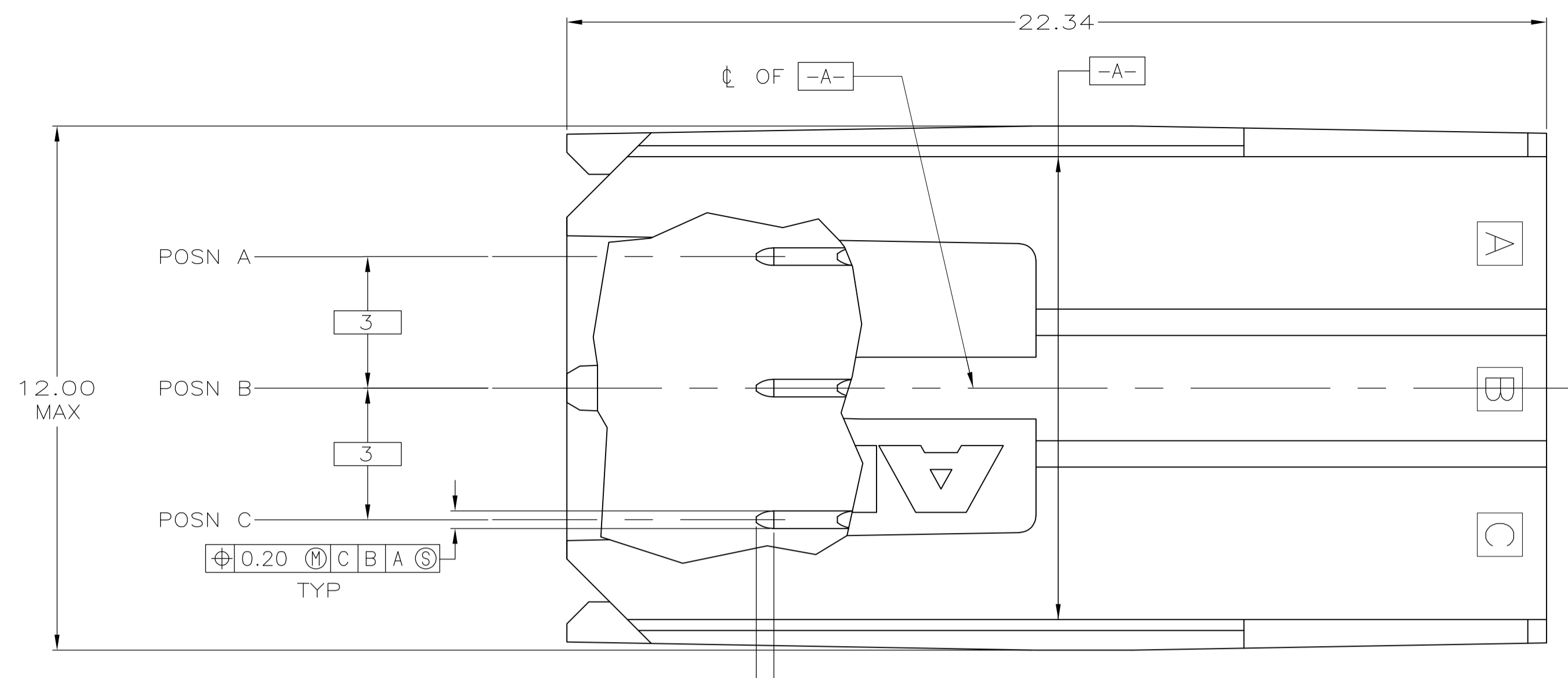
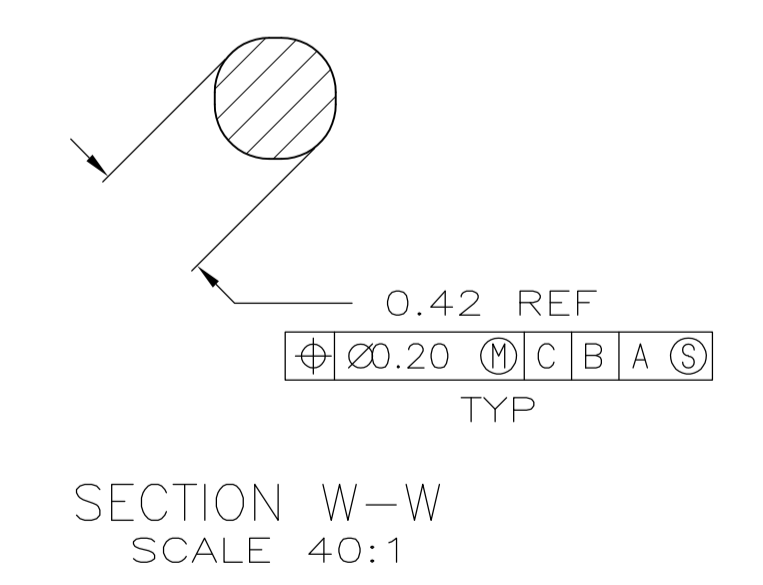
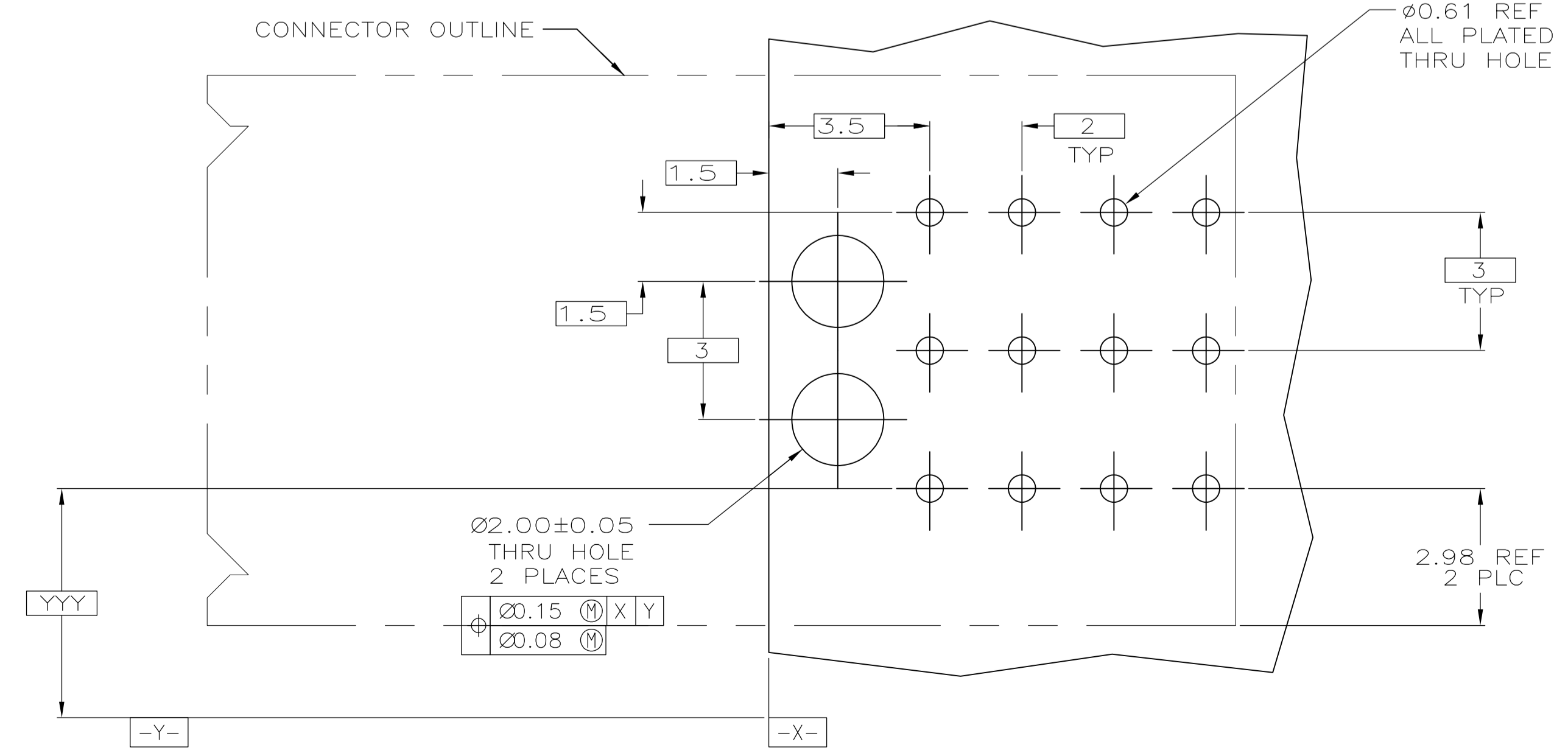
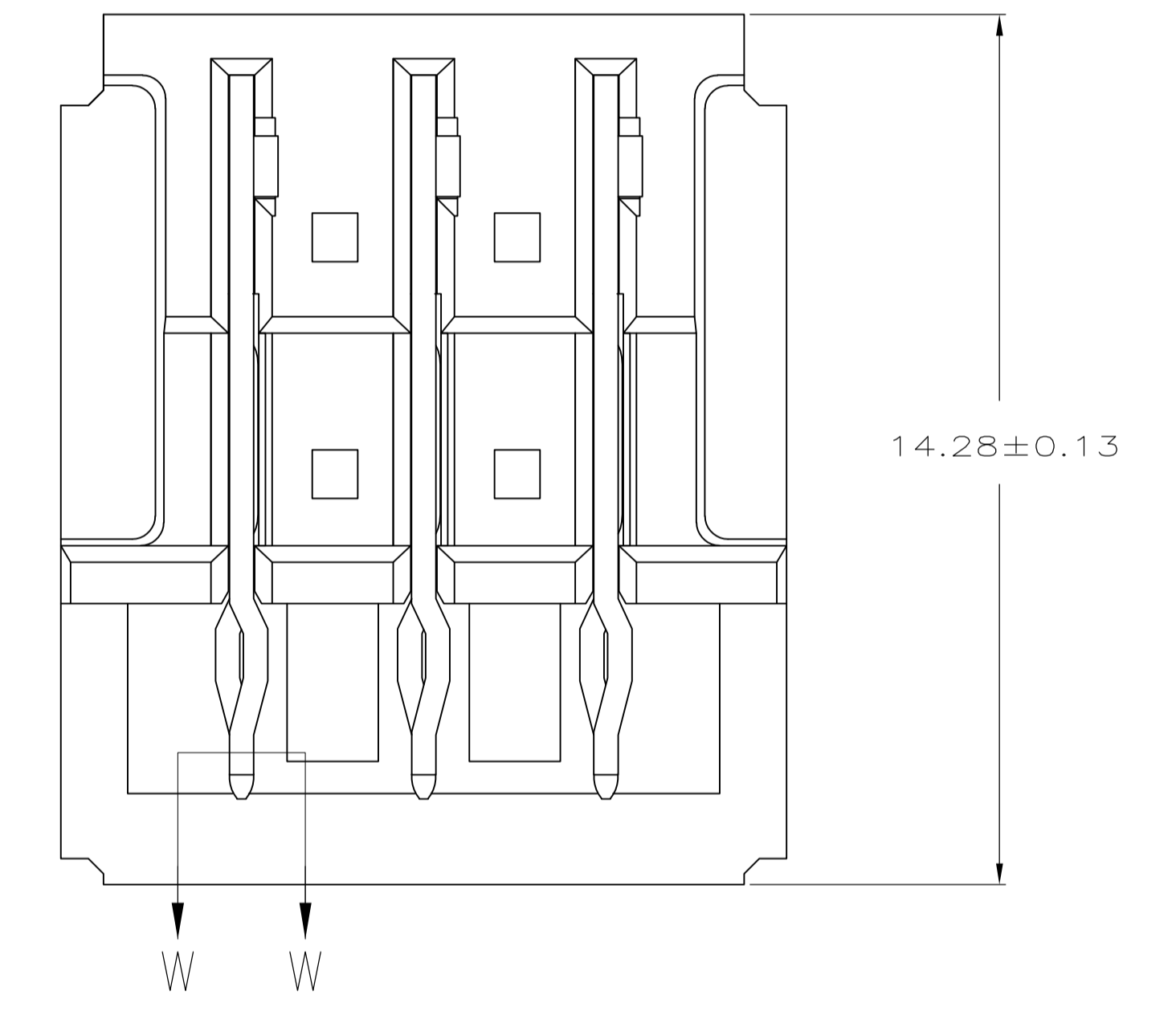
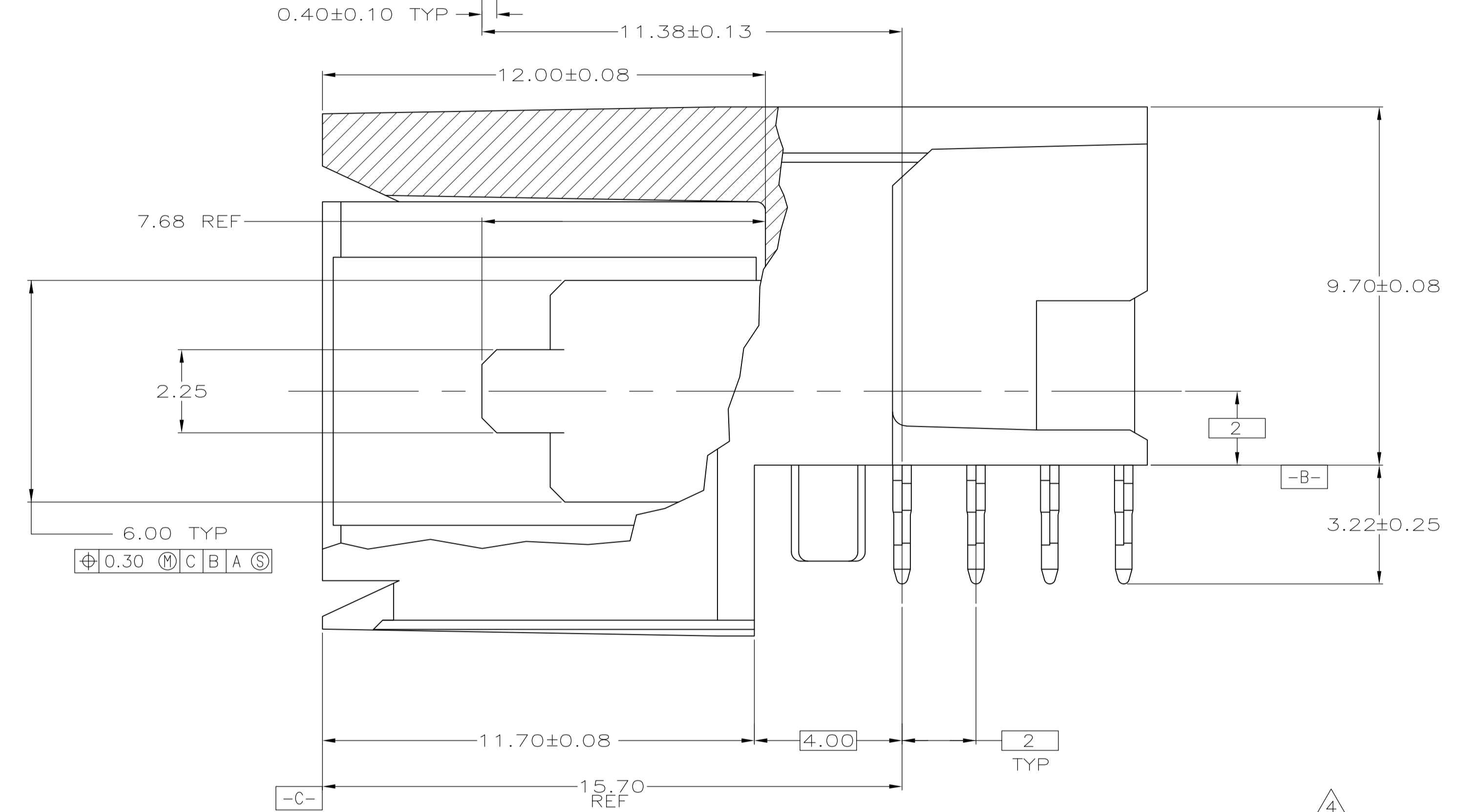
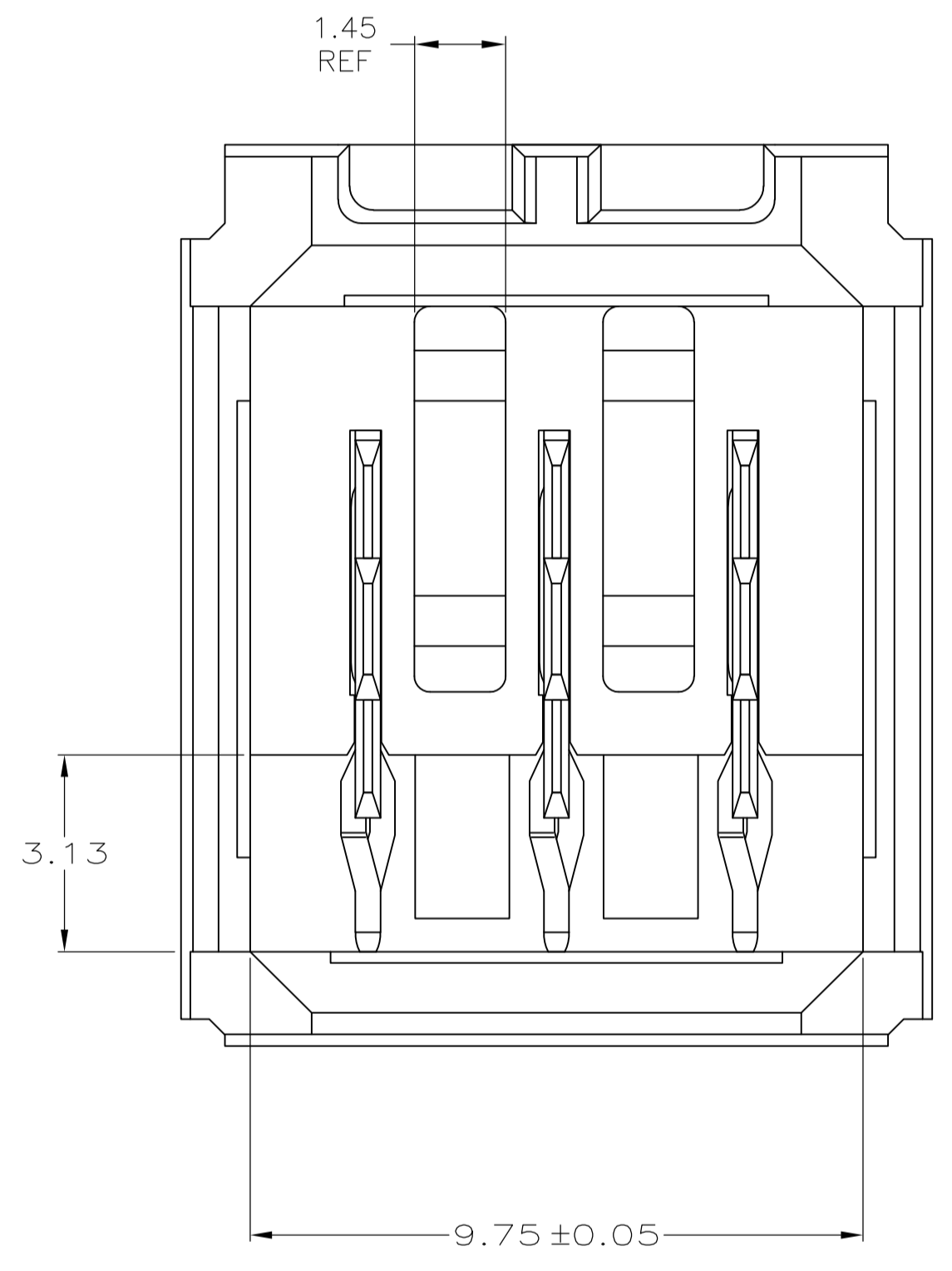


LOC		DIST		REVISIONS			
P	LTR	DESCRIPTION	DATE	DN	APVD		
C		REVISED PER ECO-11-000045	05JAN11	DH	DY		



- 1 MATERIAL: HOUSING: POLYESTER, COLOR: GREY, UL 94V-0. CONTACT: PHOSPHOR BRONZE.
- 2 FINISH: CONTACT MATING AREA: 1.27µm MIN GOLD OR 0.08µm MIN GOLD OVER 0.76µm MIN PALLADIUM-NICKEL. ACTION PIN AREA: 0.5µm MIN TIN PLATE, ALL OVER 1.27µm MIN NICKEL UNDERPLATE.
- 3 FINISH: CONTACT LUBRICATION WITH BELLCORE APPROVED LUBRICANT. TECHNICAL REFERENCE: TR-NWT-001217 ISSUE 1, SEPT 1992.
- 4 REFERENCE APPLICATION SPEC 114-1103 FOR RECOMMENDED PLATED THRU HOLE DIAMETER AND PLATING THICKNESS.
- 5 CURRENT RATING 10A/CONTACT PER PRODUCT SPEC 108-1651.



5223977-1
PART NUMBER

THIS DRAWING IS A CONTROLLED DOCUMENT.		DIN B. CARDO 130EC04	Tyco Electronics Corporation Harrisburg, PA 17105-3608
DIMENSIONS: mm		CHK R. PATTERSON 130EC04	NAME R. PATTERSON 130EC04
TOLERANCES UNLESS OTHERWISE SPECIFIED:		PRODUCT SPEC	
0. PLC	±	APPLICATION SPEC	
1. PLC	±	SIZE	
2. PLC	± 0.13	CAGE CODE	
3. PLC	±	DRAWING NO	
4. PLC	±	RESTRICTED TO	
ANGLES	±	WEIGHT	
MATERIAL		A1 00779 C=5223977	
FINISH		CUSTOMER DRAWING	
SCALE 10:1		SHEET 1 OF 1	
REV C			