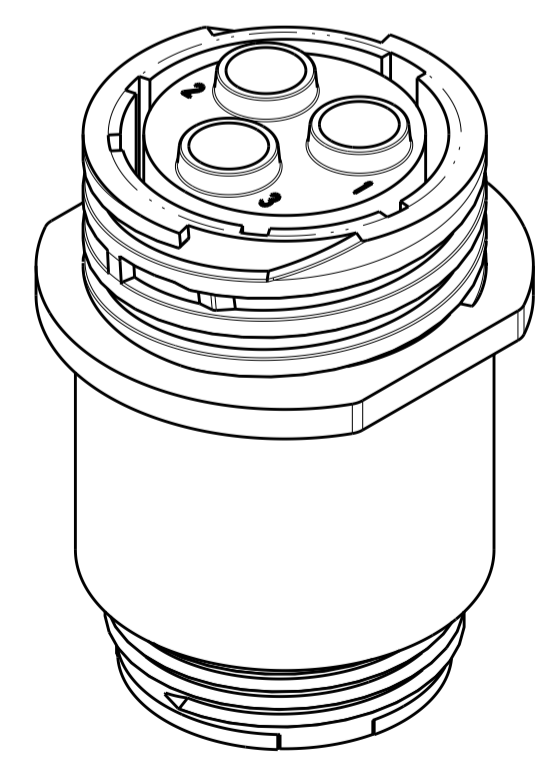
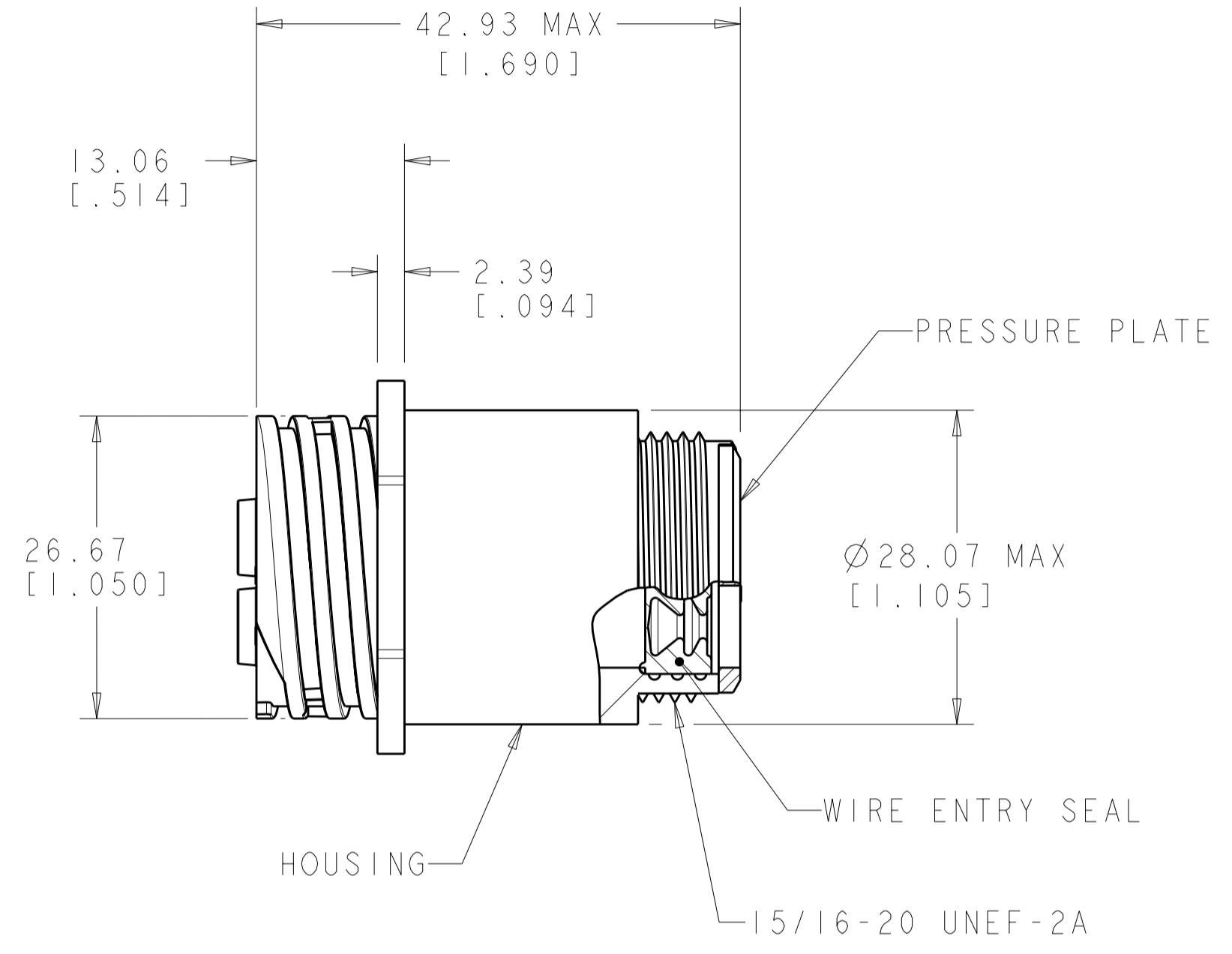
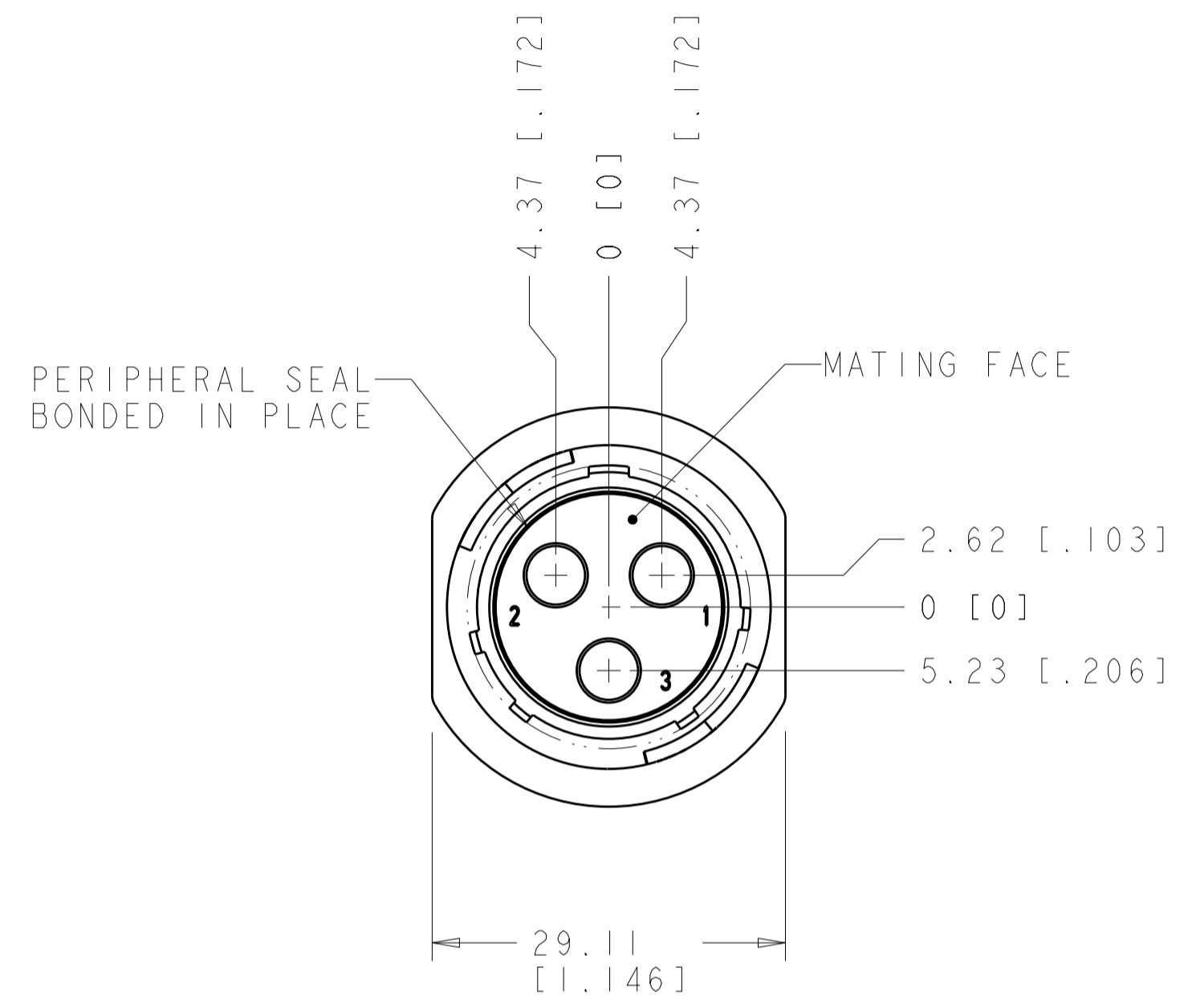


THIS DRAWING IS UNPUBLISHED. RELEASED FOR PUBLICATION
 © COPYRIGHT 2011 ALL RIGHTS RESERVED.

LOC		DIST		REVISIONS			
P	LTR	DESCRIPTION	DATE	DWN	APVD		
	B	REVISED PER ECO-11-012841	24JUN2011	HMR	MS		



⚠ HOUSING & PRESSURE PLATE: NYLON, BLACK.
 WIRE ENTRY SEAL: ELASTOMER, RED-IRON OXIDE.
 PERIPHERAL SEAL: POLYESTER, BLACK.
 2. WILL ACCEPT (3) POWER BAND PIN CONTACTS.

OBSOLETE	3.81-6.73 [.150-.265]	796112-2
	2.41-5.21 [.095-.205]	796112-1
	INSULATION RANGE	PART NUMBER

THIS DRAWING IS A CONTROLLED DOCUMENT.		DWN S. WELDON 07FEB2000	STE TE Connectivity	
DIMENSIONS: mm [INCHES]		CHK K. DOWHOWER 07FEB2000		
TOLERANCES UNLESS OTHERWISE SPECIFIED:		APVD K. DOWHOWER 07FEB2000	NAME RECEPTACLE ASSY, SERIES 5, REVERSE SEX, SIZE 17-3, CIRCULAR PLASTIC CONNECTOR	
0 PLC ±	1 PLC ±	PRODUCT SPEC 108-1579	SIZE A2	CAGE CODE 00779
2 PLC ±0.02	3 PLC ±	APPLICATION SPEC	DRAWING NO C-796112	RESTRICTED TO -
4 PLC ±	ANGLES ±	WEIGHT -	SCALE 2:1	SHEET 1 OF 1
MATERIAL -	FINISH -	CUSTOMER DRAWING	REV B	