

CXA-0406

Dimming/Connector Type

■ Features

- 2-output
 - UL60950 approved
 - Applicable panel size*: 5 to 6 inches
 - With brightness control function (Pulse Wide Modulation mode).
 - With shut down function.
 - With a sensing function for running out of lamp (alarm output).
 - In the high-voltage generator(a terminal and a pattern), an anti-dust measure by silicone application is taken.
- (Notice) Applicable panel size becomes a standard.

■ Applications



CXA-0406 Specifications (Please refer to each specification before use)

Electrical Characteristics

Item	Unit	Symbol	Specification			Condition					Remark
			min	typ	max	Vin(V)	Vrmt(V)	Vbr(V)	Ta(°C)	RL(kΩ)	
Output Current	mA	Iout (Maximum dimmer)	5.8	6.4	7.0	5±0.05	5	0	23±5	55	(*1)
			5.7	6.4	7.1	5±0.25	5	0	-10 to +60	55	(*1)
		Iout (Minimum dimmer)	2.7	3.2	3.7	5±0.05	5	3	23±5	55	(*1)
Input Current	A	Iin1	-	1.28	1.75	5±0.25	5	0	-10 to +60	55	Remote ON
	mA	Iin2	-	0	1	5±0.25	0	0	-10 to +60	55	Remote OFF
Frequency	kHz	Freq1	53	59	65	5±0.25	5	0	-10 to +60	55	
	Hz	Freq2(Duty frequency)	230	255	280	5±0.25	5	3	-10 to +60	55	
Open Circuit Voltage	Vrms	Vopen	1050	1150	-	4.75min.	5	0	-10 to +60	∞	Open load
Alarm Signal	V	Vst	4.5	5.0	5.5	5±0.25	5	0	-10 to +60	∞	In case of lamp anomaly (*2)
			-	0	0.5	5±0.25	5	0	-10 to +60	55	On a normal operation (*2)

(*1) Please refer to the connection diagram for details of a dimming method.

(*2) Please refer to the connection diagram for details of alarm output.

Other Specifications

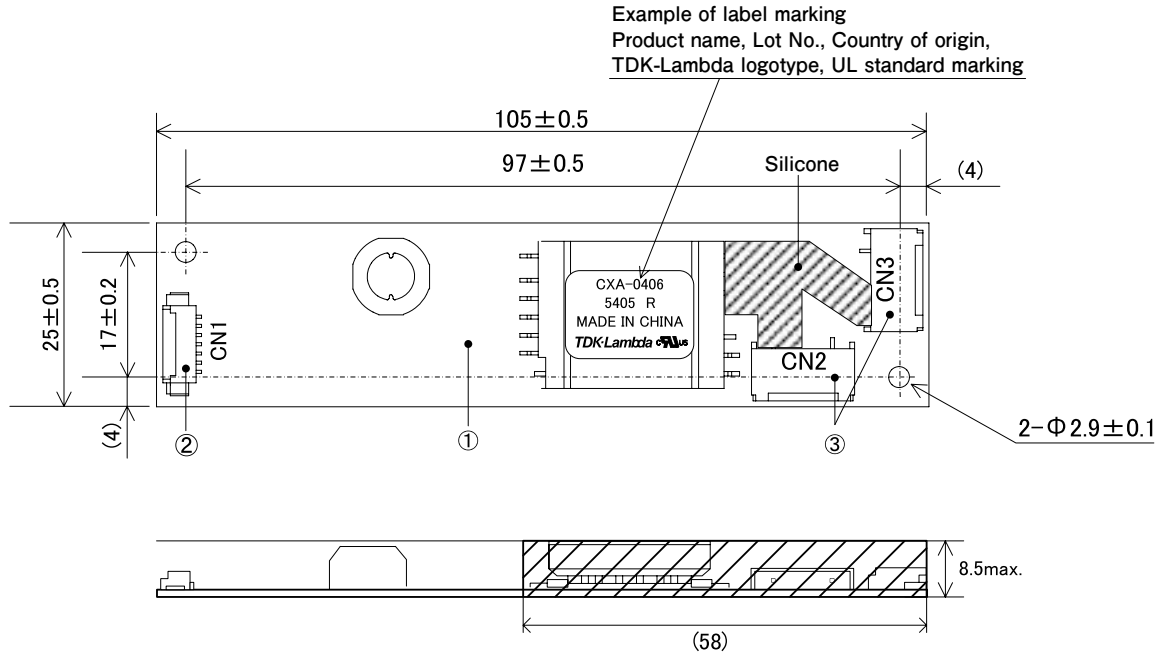
Dimming Function		Yes
Operating Temperature	°C	-10 to +70
Storage Temperature	°C	-30 to +85
Operating Humidity Ratio	RH%	95Max
Safety Standard		UL60950
Weight	g	20
Dimensions(WxDxH)	mm	105x25x8.5 (*3)
Fused Input		Yes
Remote ON / OFF		Yes
Alarm Signal Function		Yes
Shutdown Function		Yes
Silicone Coating on High Voltage Area		Yes

(*3) These dimensions are indicated the maximum only H. Others are typical values.

■ Conformity to RoHs Directive

This means that, in conformity with EU Directive 2002/95/EC, lead, cadmium, mercury, hexavalent chromium, and specific bromine-based flame retardants, PBB and PBDE, have not been used, except for exempted applications.

Outline Drawing



High-voltage generator ※
(The entire surface within a range of 58mm away from the end of the basein)

※From high-voltage generator, please secure space distance more than 2mm in top and bottom right and left.

unit:mm

Connector

Connector number	Part number	Model/Material	Quantity	Remarks	Recommended applicable connector
①	Printed circuit board PCB	Composite (CEM-3)	1	UL94V-0 t=1.0	—
②	Input connector CN1	53261-0771	1	Molex Inc.	51021-0700
③	Output connector CN2,CN3	SM02 (8.0)B-BHS-1-TB (LF) (SN)	2	JST Mfg. Co., Ltd.	BHR-03VS-1

Terminal Numbers And Functions

Input side CN1

Terminal number	Symbol	Rated voltage	Remarks
CN1-1	Vin	$5 \pm 0.25V$	Power input
CN1-2			
CN1-3	GND	0V	Ground
CN1-4			
CN1-5	Vrmt	25 to Vin/0 to 0.5V	Remote terminal 2.5 to Vin : ON
CN1-6	Vst(Output)	0V/5V	Alarm output Lump open : 5V
CN1-7	Vbr	0 to 3V 0 to 10k Ω	Dimmer terminal 0V or 0Ω : max 3V or 10kΩ : min

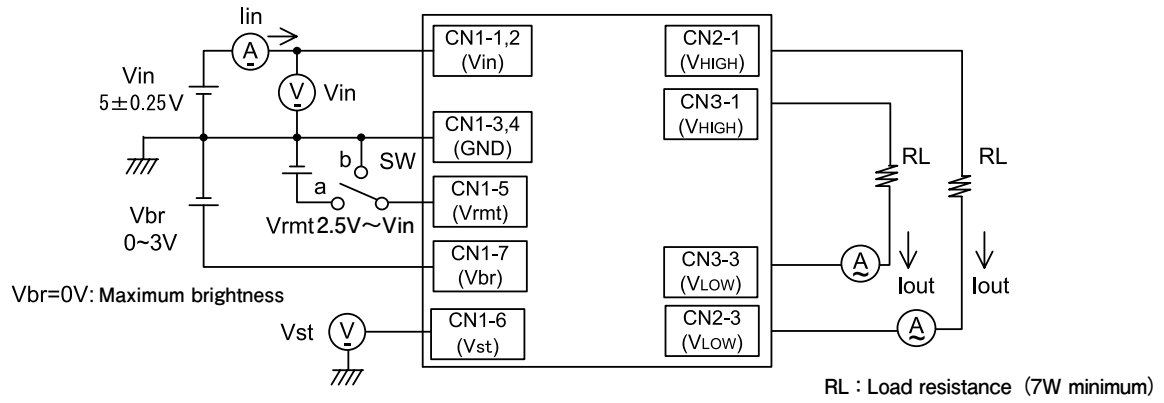
Output side CN2

Terminal number	Symbol	Rated voltage	Remarks
CN2-1	V _{HIGH1}	340Vrms	Output 1
CN2-2	N.C.	—	N.C.
CN2-3	V _{Low1}	(2V)	Output 1 return

Output side CN3

Terminal number	Symbol	Rated voltage	Remarks
CN2-1	V _{HIGH2}	340Vrms	Output 2
CN2-2	N.C.	—	N.C.
CN2-3	V _{Low2}	(2V)	Output 2 return

Connections



Operate as follows by switching a SW.

SW	Unit operation
a	Operation
b	Does not operate