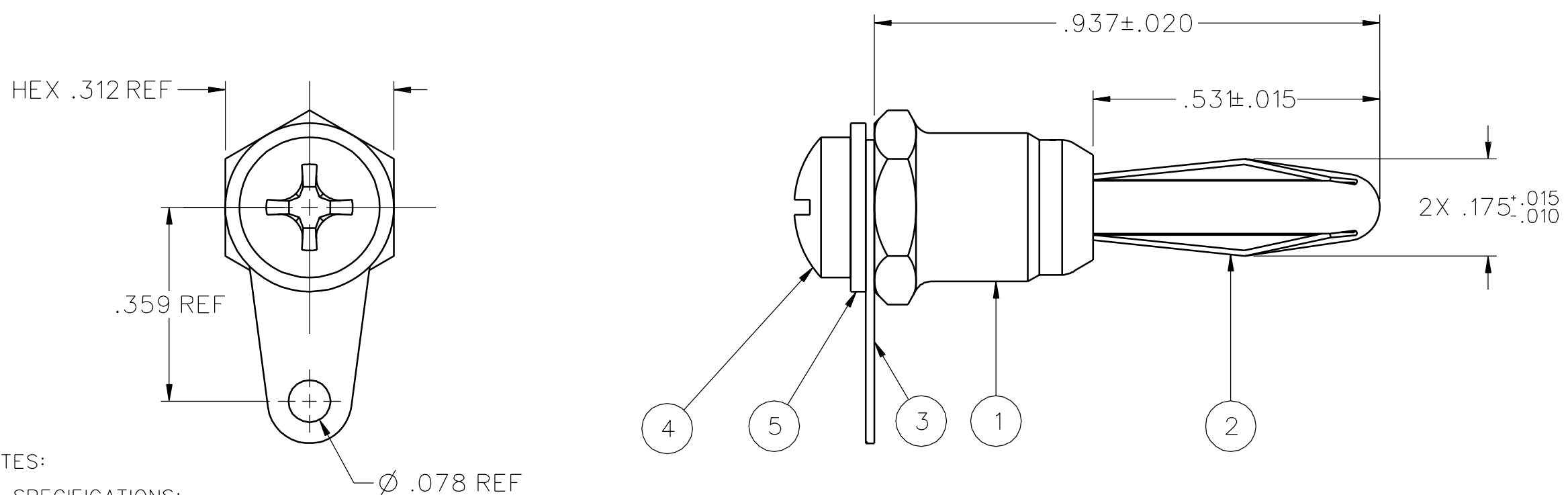


PART NUMBER	ITEM ① BODY (2 PIECE)	ITEM ② SPRING	ITEM ③ SOLDER LUG	ITEM ④ SCREW	ITEM ⑤ WASHER
108-0753-001	BRASS NICKEL PL .0001 MIN	BERYLLIUM COPPER NICKEL PL .0001 MIN	COPPER TIN PL .0001 MIN	BRASS NICKEL PL .0001 MIN	BRASS NICKEL PL .0001 MIN

DRAWING NO. B - 108-0753-001	
0	REVISIONS
ENGINEERING RELEASE ***** * REVISION NUMBER FOLLOWED BY AN ALPHA * * CHARACTER INDICATES DRAWING CLARIFI- * CATION OR PART NUMBER ADDITION ONLY. * *****	
24b	11-21-94 R H S W T R A J C K B ECN 42912



NOTES:

1. SPECIFICATIONS:

ELECTRICAL:

CURRENT RATING: 15 AMPS DC MINIMUM  
DIELECTRIC WITHSTANDING VOLTAGE: NOT APPLICABLE  
RECOMMENDED WORKING VOLTAGE: NOT APPLICABLE  
INSULATION RESISTANCE: NOT APPLICABLE  
CONTACT RESISTANCE: 10 MILLIOHMS MAXIMUM

MECHANICAL:

INSERTION/WITHDRAWAL FORCE: 1.0 - 15.0 POUNDS  
CONTACT SPRING RETENTION FORCE: 25 POUNDS MINIMUM  
WIRE ACCEPTABILITY: NOT APPLICABLE  
WIRE ATTACHMENT: NOT APPLICABLE  
MATING BANANA JACK DIAMETER: .166 NOMINAL  
DURABILITY: 1000 CYCLES MINIMUM

ENVIRONMENTAL:

(MEETS OR EXCEEDS THE APPLICABLE PARAGRAPH OF MIL-C-28901)  
OPERATING TEMPERATURE: -55 DEG C TO 85 DEG C.  
TEMPERATURE RISE AT RATED CURRENT: 10 DEG C MAXIMUM  
CORROSION: MIL-STD-1344, METHOD 1001, CONDITION B  
SHOCK: MIL-STD-1344, METHOD 2004, CONDITION G  
VIBRATION: MIL-STD-1344, METHOD 2005, CONDITION I  
HUMIDITY: MIL-STD-1344, METHOD 1002, CONDITION B

CUSTOMER DRAWING

THIS DRAWING TO BE INTERPRETED  
PER ANSY 14.5M - 1982

"I/EMS"

COMPANY CONFIDENTIAL

TOLERANCE UNLESS OTHERWISE SPECIFIED	DRAWN BY SWC	DATE 8-26-94
DECIMALS _____ mm _____	CHECKED BY SWC	DATE 12-7-94
.XX _____	APPROVED BY TAK	DATE 12-20-94
.XXX _____	RELEASE DATE	
MATL _____	U/M INCH	SCALE 4:1
FINISH _____		

 <b>Cinch</b> CONNECTIVITY SOLUTIONS a bel group	<b>Cinch Connectivity Solutions</b> P.O. Box 1732 Waseca, MN 56093 1-800-247-8256	
	TITLE ASSEMBLY, BANANA PLUG UNINSULATED, HEX BODY THREADED BACKHOLE	
SHEET 2 OF 2	DRAWING NO. B - 108-0753-001	