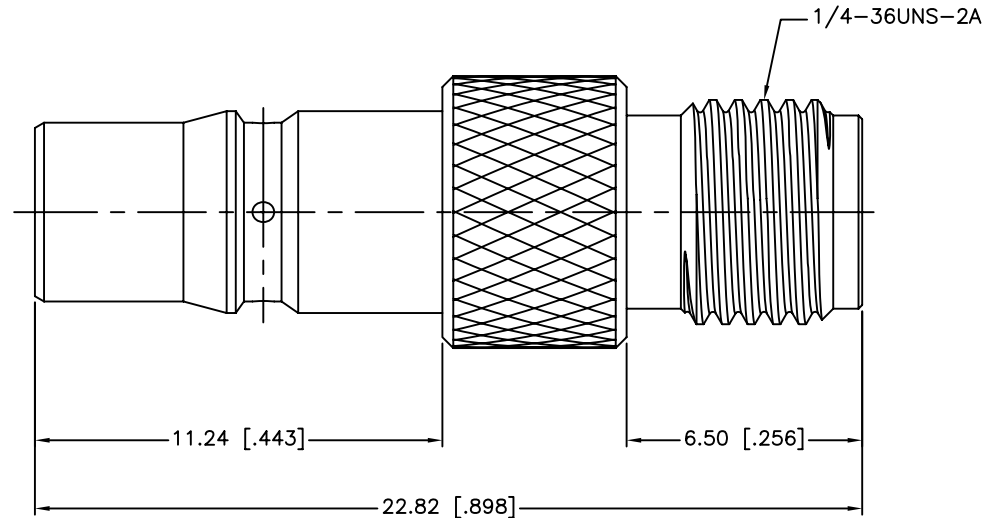
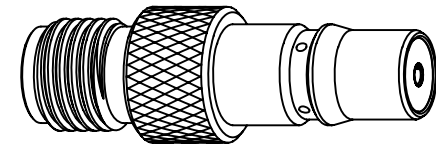


| REV. | DATE | ECR NO. | DESCRIPTION |
|------|----------|---------|-----------------|
| NC | 05/02/12 | XXXXXX | INITIAL RELEASE |



1. IMPEDANCE: 50 OHM
2. FREQUENCY RANGE: DC 0-18 GHz
3. VSWR(RETURN LOSS): 1.3 MAX.
4. DIELECTRIC WITHSTANDING VOLTAGE: 1000 VRMS, MIN.
5. DURABILITY: 100 CYCLES MIN.
6. TEMPERATURE RANGE: -65°C TO +165°C

UNLESS OTHERWISE SPECIFIED DIMENSIONS ARE IN MILLIMETERS. DIMENSIONS IN [] ARE IN INCHES AND FOR CUSTOMER REFERENCE ONLY.

UNLESS OTHERWISE SPECIFIED TOLERANCES FOR MILLIMETERS ARE:
0.5 - 8mm ± 0.20mm
8 - 30mm ± 0.40mm
30 - 120mm ± 0.50mm

UNLESS OTHERWISE SPECIFIED TOLERANCES FOR INCHES ARE:
.020 - .315 = ± 0.007"
.315 - 1.180 = ± 0.015"
1.180 - 4.724 = ± 0.020"

DO NOT SCALE DRAWING

| | |
|---------------|----------------------|
| APPROVALS | DATE |
| DRAWN M.ZHANG | 05/02/12 |
| CHECKED | |
| ISSUED | |
| SHEET 1 OF 1 | |
| CAD FILE | C:/CONNEX/242262.DWG |

| | | | |
|--|------------|-------|----|
| Amphenol Connex | | | |
| PART DESCRIPTION QMA JACK TO SMA JACK ADAPTER (FOR 50 OHM) | | | |
| PART NO. 242262 | | | |
| DWG. NO. | 242262.DWG | REV. | NC |
| SIZE | A | SCALE | NA |

| | | | | |
|---|-------------|------------------|---------|-----|
| 3 | CONTACT PIN | BERYLLIUM COPPER | GOLD | 1 |
| 2 | INSULATOR | PTFE | NATURAL | 1 |
| 1 | BODY | BRASS | NEXCOTE | 1 |
| | DESCRIPTION | MATERIAL | FINISH | QTY |