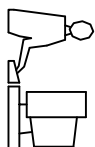
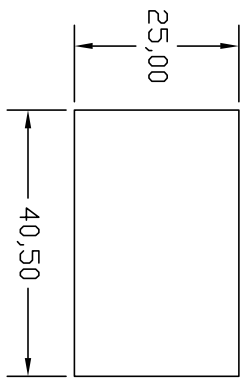
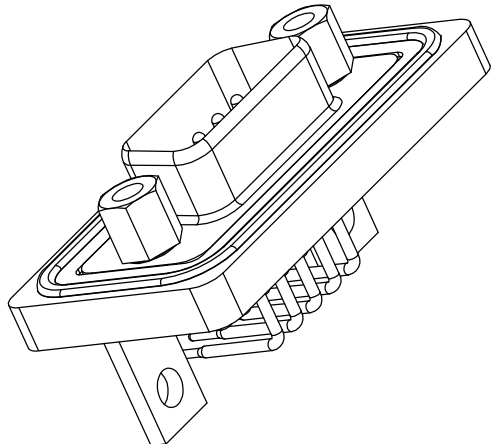
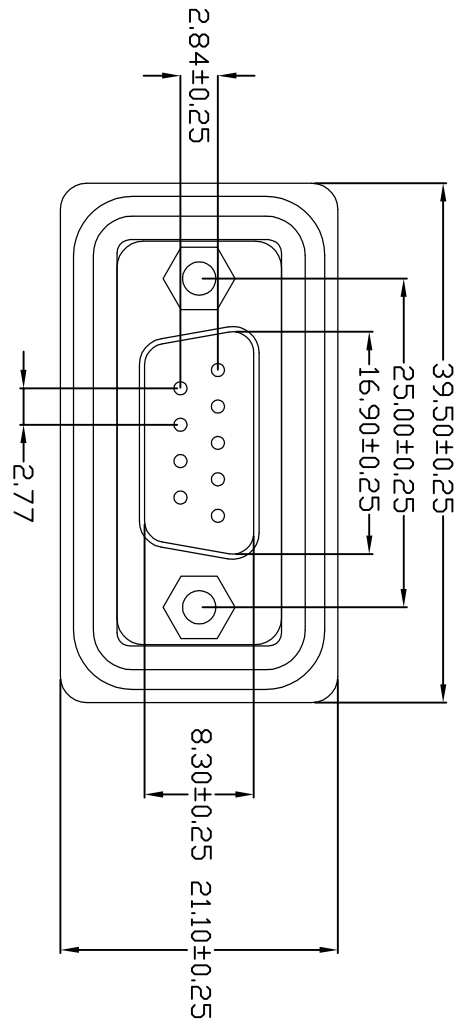


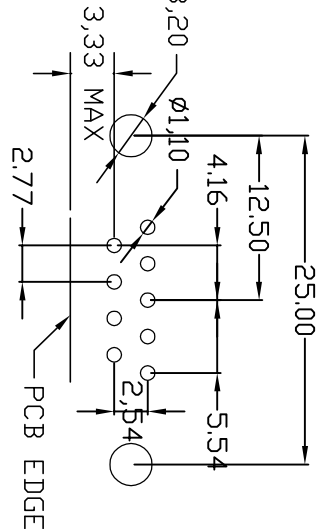
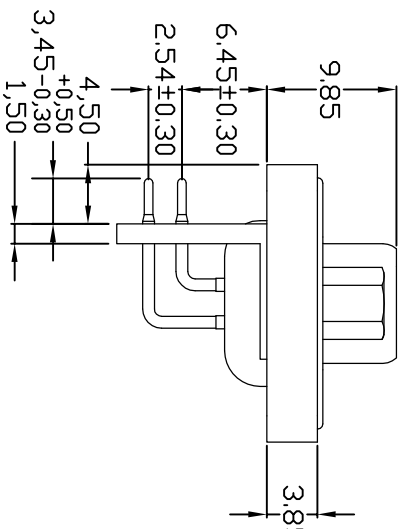
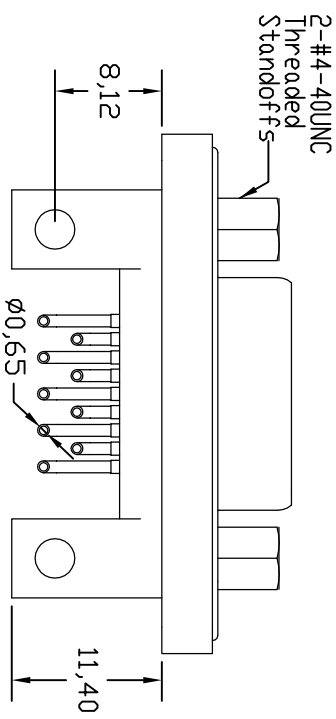
THIS IS A CAD GENERATED DRAWING  
DO NOT MAKE MANUAL REVISIONS TO MASTER.



ISSUE NUMBER	1
ORIGINAL	1
ADD PANEL CUT-OUT DIMENSION RSTAMONICA	2
AUG/9/2016	



RECOMMENDED PANEL CUT OUT  
MAXIMUM PANEL THICKNESS: 2.00MM



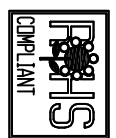
PCB LAYOUT

- Materials and Finish**
- Insulator: PBT with Glass Fiber, UL94V-0, Black
  - Shell: Steel, Nickel Plated
  - Contact: Copper Alloy, with 2-Gold Flash Plating over Nickel
  - Watertight Frame: PBT with Glass Fiber, UL94V-0, Black
  - O-Ring: Silicone
  - Epoxy Sealant: Epoxy
  - DEGREE OF PROTECTION: IP67 AS PER IEC60529

**Electrical Characteristics**

- Current Rating: 5 Amperes
- Dielectric Withstanding Voltage: 1000 V, for 1 Minute
- Insulation Resistance: 5000 Megohm Min.
- Contact Resistance: 10 Milliohms Max.
- Temperature Range: -25C to +85C

Contact Code  
40- RIGHT ANGLE TAIL, 10.3 L4061, STANDARD FOOTPRINT

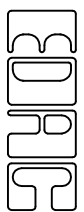


THIS SERIES FULLY CONFORMS TO THE  
EUROPEAN UNION DIRECTIVES  
2011/65/EU FOR ROHS COMPLIANCY.

Standard Density Waterproof D-Sub Connector

PART NUMBER: 629-W09-240-015

PLUG



EDAC INC  
TORONTO, ONTARIO  
CANADA  
YOUR CONNECTION TO QUALITY & SERVICE

ACAD REFERENCE NO. 627-629W Assembly

DRAWN: RSTAMONICA DATE: June 4/13

CHECKED: DATE:

SCALE: NTS SHEET 1 OF 1

DRAWING NUMBER 627-629W Assembly ISSUE 2