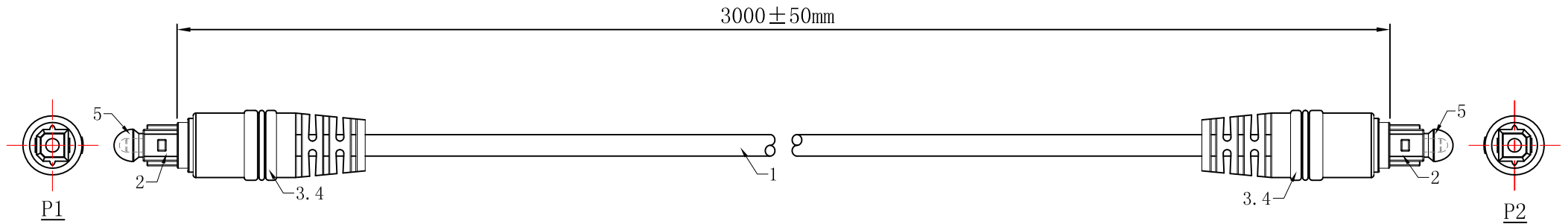


REV.	Change NO.	Change Description	Date	Approved
A0		NEW	2018. 01. 31	

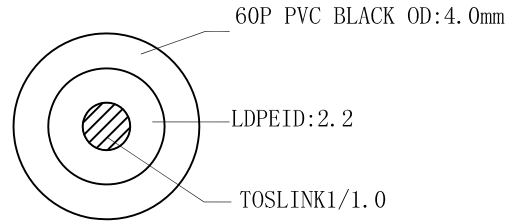


OPTO M MOLDING TYPE

OUTER MOLD NO. :HJ-CT-415

OPTO M MOLDING TYPE

OUTER MOLD NO. :HJ-CT-415



29ZZ00040BK001 (HJ-0143)

ITEM NO.	106-1042-BL-00300	Customer			
DESCRIPTION		REV.	A0	FILE/N	
MATERIAL NO.	C-OPTOM-M-3.0M	PAGE	1 OF 1	APPRO	
<b>CnC Tech, LLC</b>		UNIT	mm	CHECK	
		SCALE	NONE	DRAWN	Shel
		PROJECTION		DATE:	2018. 01. 31