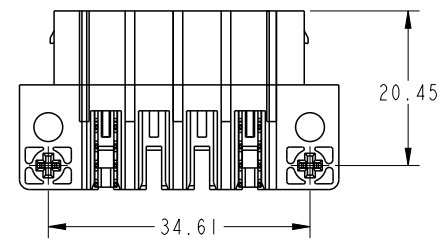
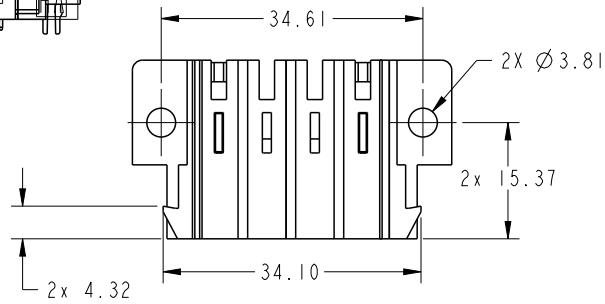
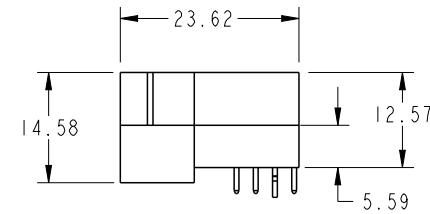
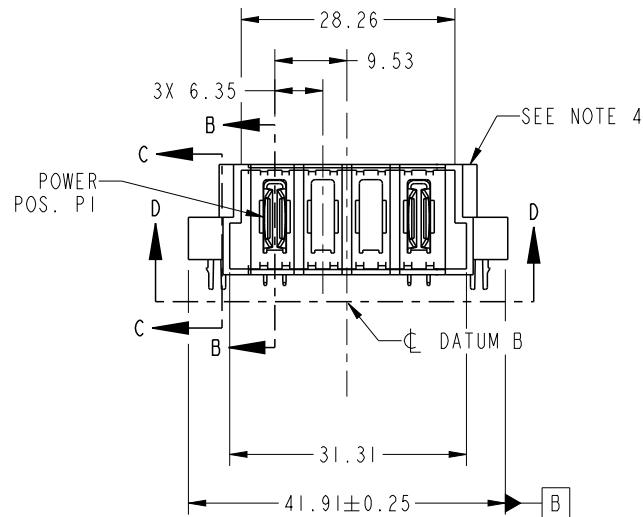


PRODUCT NO.	POWER					
	E1	P1	P2	P3	P4	E2
51939-846 -- NOTE 3		PA	X	X	PA	



VIEW D-D

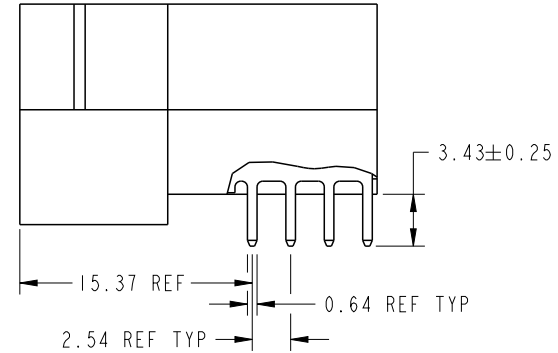
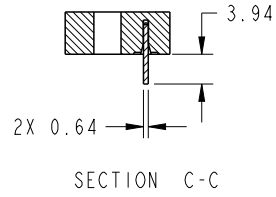


CODE	DIM "M" MATING LENGTH	CONTACT TYPE
PA	[N/A]	POWER
HA	[N/A]	HOLD-DOWN
X	[N/A]	OMITTED

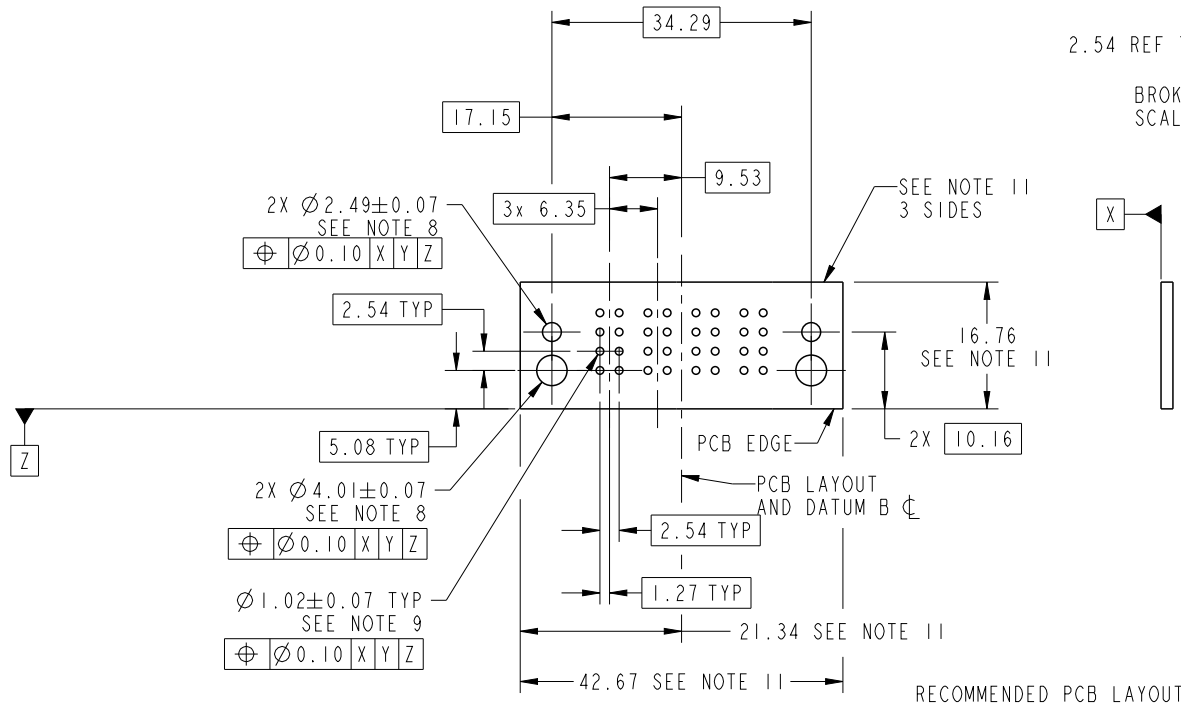
spec ref	*	dr	Ruan MT	2014/03/21	projection	MM	size	A4	scale	1:1	
tolerance std	TOLERANCES UNLESS OTHERWISE SPECIFIED	eng	Ruan MT	2014/08/12		←→	ecn no	-	rel level		Released
surface	✓	chr	-	-			product family	PwrBlade			
	linear	0.X	±0.5		title	4P	dwg no	51939-846	rev	A	
		0.XX	±0.25								
		0.XXX	±0.1								
	angular	0°	±°	www.fci.com	cat. no.	Product - Customer Drw	sheet 1 of 3				

PRODUCT NUMBER

51939-846\_\_  
NOTE: 3



BROKEN-OUT SECTION B-B  
SCALE 2:1



RECOMMENDED PCB LAYOUT

spec ref	*	dr	Ruan MT	2014/03/21	projection	MM	size	A4	scale	1:1
tolerance std	TOLERANCES UNLESS OTHERWISE SPECIFIED	eng	Ruan MT	2014/08/12			ecn no	-	rel level	Released
		chr	-	-						
		appr	Pei-Ming Zheng	2014/08/12	product family	PwrBlade				
surface	linear	0.X	±0.5		title	4P	www.fci.com	cat. no.	Product - Customer Drw	sheet 2 of 3
		0.XX	±0.25							
		0.XXX	±0.1							
	angular	0°	±°							
					rev					A
					dwg no	51939-846				

PRODUCT NUMBER

51939-846\_\_  
NOTE: 3

NOTES:

1. DIMENSIONS AND TOLERANCES ARE IN ACCORDANCE WITH ASME Y14.5M, 1994 UNLESS OTHERWISE SPECIFIED.

CONNECTOR NOTES:

- 2. HOUSING MATERIAL: UL 94 V-0 GLASS FILLED  
HIGH-TEMP THERMOPLASTIC  
POWER CONTACT MATERIAL: COPPER ALLOY  
SIGNAL PIN MATERIAL: COPPER ALLOY
- 3. 51939-846; 51939-846LF PLATING SPEC. SEE PRINT:10064183 ITEM 1 & 2
- 4. MANUFACTURER'S NAME, P/N, AND DATE CODE TO APPEAR ON THIS SURFACE.
- 5. PRODUCT SPECIFICATION GS-12-149.  
APPLICATION SPECIFICATION BUS-20-067.
- 6. PACKAGED IN TRAYS.

PCB NOTES:

- 7. ALL HOLE DIAMETERS ARE FINISHED HOLE SIZE.
- 8. MOUNTING HOLES, WHERE APPLICABLE, ARE UNPLATED.
- 9.  $\varnothing 1.151 \pm 0.025$  DRILLED HOLES PLATED WITH  
0.008 MIN SnPb OR Sn OVER 0.03  
TO 0.08 Cu PLATING TO ACHIEVE  
 $\varnothing 1.02 \pm .07$  HOLE.
- 10. "DIM XXX" TO BE DETERMINED BY THE CUSTOMER.
- 11. CONNECTOR KEEP-OUT ZONE.



Copyright FCI.

dr	Ruan MT	2014/03/21	projection 	MM 	size	A4	scale	1:1		
eng	Ruan MT	2014/08/12			ecn no	-				
chr	-	-			product family	PwrBlade	rel level	Released		
appr	Pei-Ming Zheng	2014/08/12			title	4P RIGHT ANGLE SOLDER HEADER	dwg no	51939-846	rev	A
www.fci.com		cat. no.	Product - Customer Drw			sheet 3 of 3				