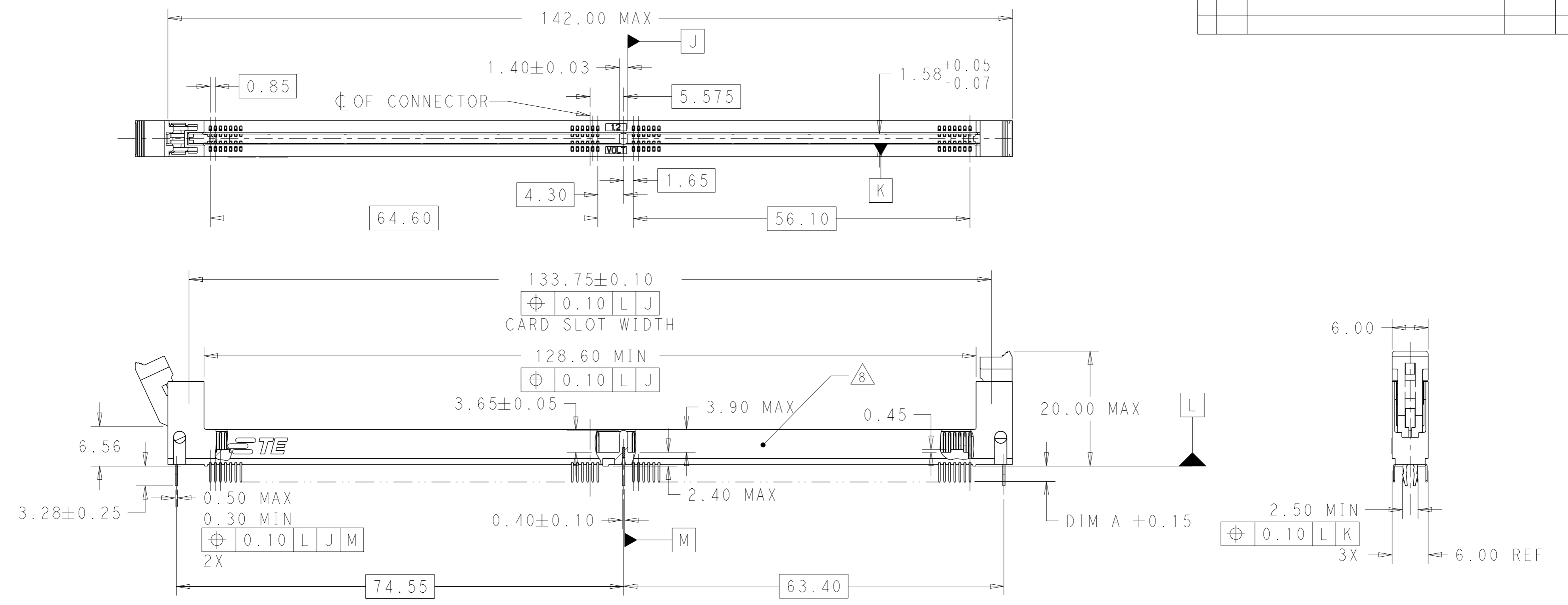


THIS DRAWING IS UNPUBLISHED. RELEASED FOR PUBLICATION 20
 © COPYRIGHT 20 TE CONNECTIVITY ALL RIGHTS RESERVED.

LOC	DIST	REVISIONS			
P	LTR	DESCRIPTION	DATE	DWN	APVD
	B	REVISED PER ECR-16-003102	3MAR2016	D.Z	S.L



1 MATERIALS:

HOUSING: HIGH TEMPERATURE NYLON, UL94 V-0
 EXTRACTOR: HIGH TEMPERATURE THERMOPLASTIC, UL94 V-0
 CONTACTS: COPPER ALLOY
 RETENTION BARB: STAINLESS STEEL

2 INTERFACE FINISH:

(1) 0.00076 MIN THK GOLD OVER 0.00127 MIN THK NICKEL.
 (2) 0.00038 MIN THK GOLD OVER 0.00127 MIN THK NICKEL.
 (3) 0.00050 MIN THK GOLD OVER 0.00228 MIN THK NICKEL.

3 SOLDER TAIL FINISH:

0.00300 MIN THK MATTE TIN OVER 0.00127 MIN THK NICKEL.

4 KEEP OUT ZONE.

5 KEEP OUT AREA RESERVED FOR SOCKET EXTRACTORS, BOTH ENDS.

6 FINISHED HOLE SIZE. 0.15 MAXIMUM ANNULAR RING.

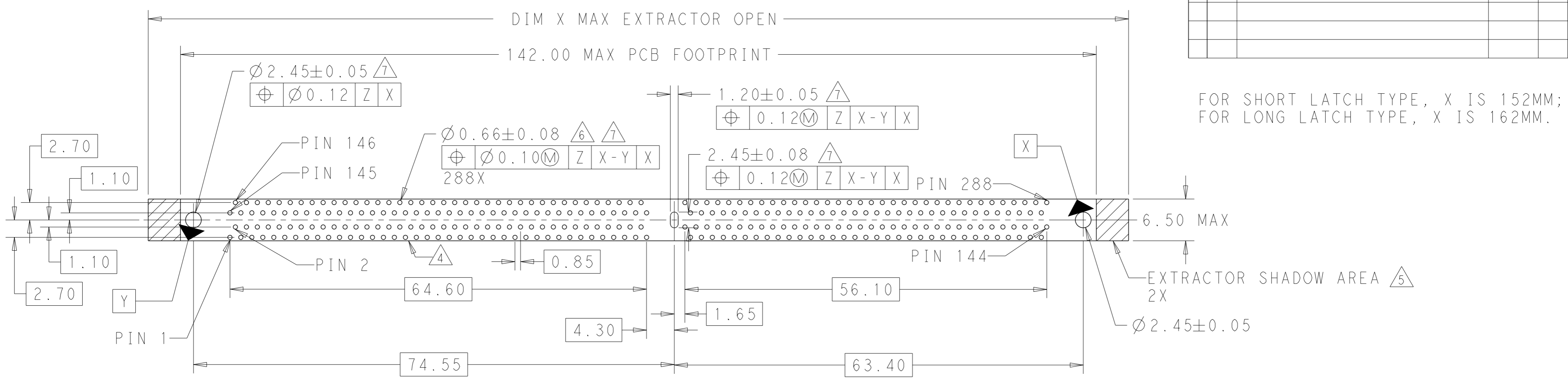
7 DATUM [Z] IS CONNECTOR SIDE SURFACE OF PCB.

8 5 DIGIT DATE CODE (YYWWD) LOCATED AS SHOWN.

THIS DRAWING IS A CONTROLLED DOCUMENT.		DWN RICHARD MA 18MAR2013		
DIMENSIONS: mm		CHK SIMON LI 18MAR2013		
TOLERANCES UNLESS OTHERWISE SPECIFIED:		APVD COREI WANG 18MAR2013	NAME SOCKET ASSEMBLY	
0 PLC ±1		PRODUCT SPEC 108-115067	DDR4 DIMM, T/H TYPE	
1 PLC ±0.25		APPLICATION SPEC 501-115076	288 POSITION	
2 PLC ±0.15		WEIGHT -	SIZE A200779	CAGE CODE C=2199154
3 PLC ±0.10		CUSTOMER DRAWING	SCALE 1:1	SHEET 1 OF 5
4 PLC ±				REV B
ANGLES ±				
FINISH ±				

THIS DRAWING IS UNPUBLISHED. RELEASED FOR PUBLICATION 20
 © COPYRIGHT 20 TE CONNECTIVITY ALL RIGHTS RESERVED.

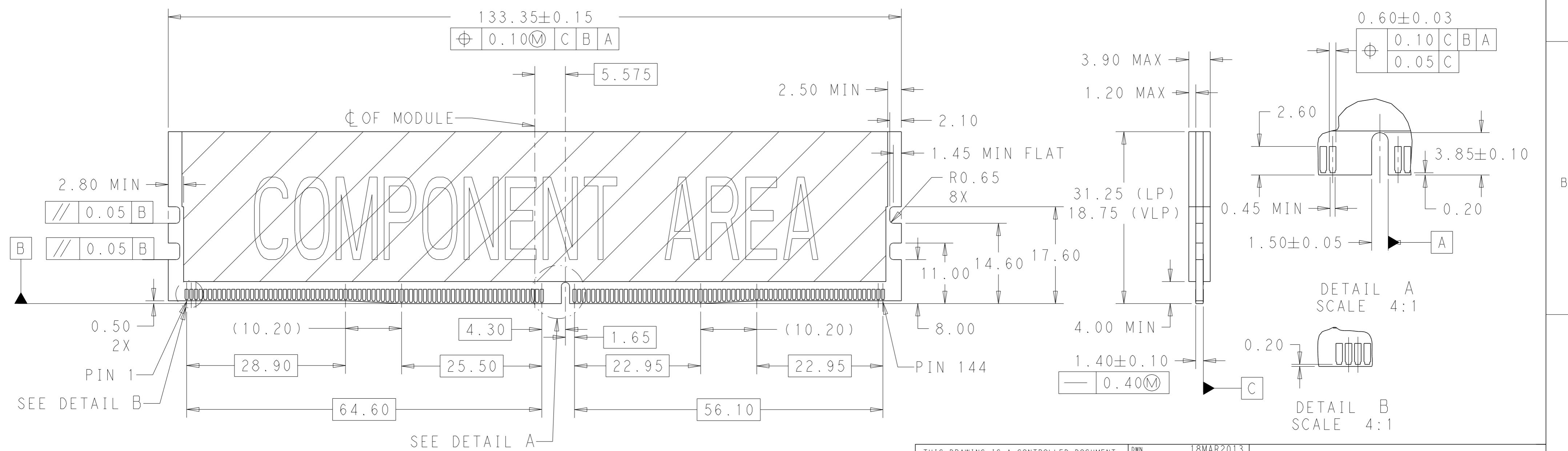
LOC		DIST		REVISIONS			
P	LTR	DESCRIPTION	DATE	DWN	APVD		
-	-	SEE SHEET 1	-	-	-	-	-



FOR SHORT LATCH TYPE, X IS 152MM;
 FOR LONG LATCH TYPE, X IS 162MM.

RECOMMENDED PCB LAYOUT

VIEWED FROM CONNECTOR SIDE

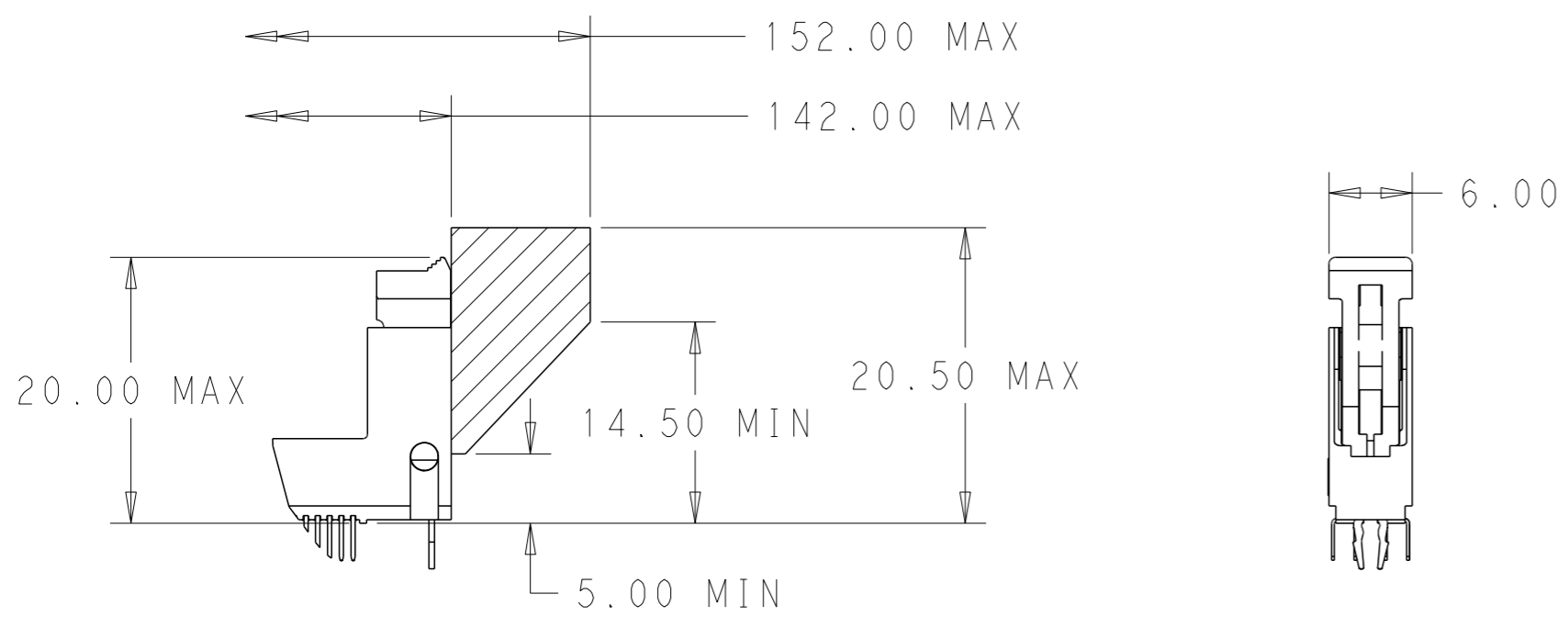


RECOMMENDED MODULE LAYOUT

THIS DRAWING IS A CONTROLLED DOCUMENT.		DWN RICHARD MA 18MAR2013	TE Connectivity	
DIMENSIONS: mm		CHK SIMON LI 18MAR2013		
TOLERANCES UNLESS OTHERWISE SPECIFIED:		APVD COREL WANG 18MAR2013	NAME SOCKET ASSEMBLY DDR4 DIMM, T/H TYPE 288 POSITION	
0 PLC ±1 1 PLC ±0.25 2 PLC ±0.15 3 PLC ±0.10 4 PLC ± ANGLES ± FINISH ±		PRODUCT SPEC 108-115067	SIZE A200779	DRAWING NO C=2199154
MATERIAL		APPLICATION SPEC 501-115076	CAGE CODE	RESTRICTED TO
		WEIGHT	SCALE 1:1	SHEET 2 OF 5
		CUSTOMER DRAWING	REV B	

THIS DRAWING IS UNPUBLISHED. RELEASED FOR PUBLICATION 20
 © COPYRIGHT 20 TE CONNECTIVITY ALL RIGHTS RESERVED.

LOC		DIST		REVISIONS			
P	LTR	DESCRIPTION	DATE	DWN	APVD		
-	-	SEE SHEET 1	-	-	-		



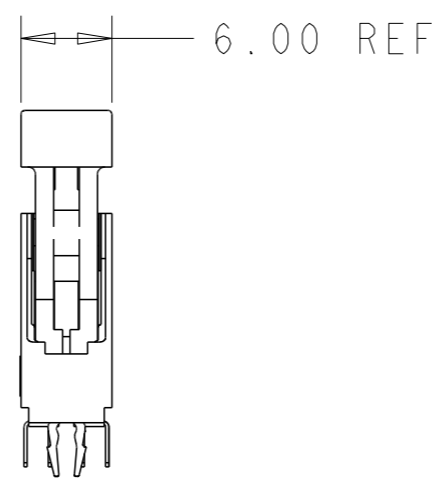
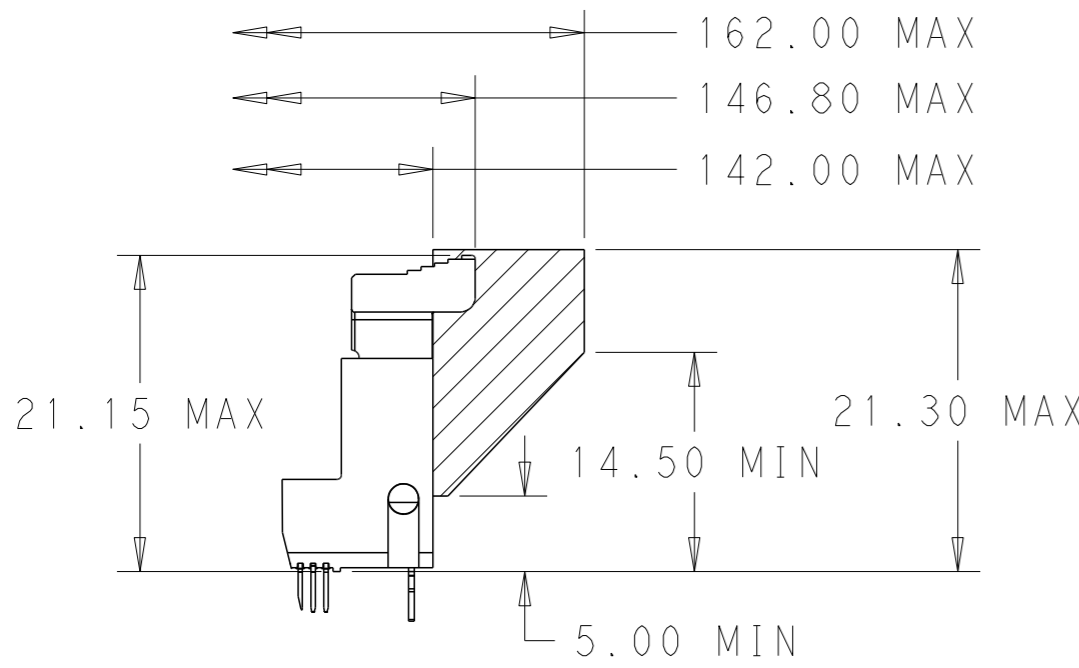
SHORT LATCH TYPE

BOARD LOCK	BLUE(2935U)	BLUE(2935U)	0.00038 MIN	2.10	9-2199154-6
BOARD LOCK	NATURAL	BLUE(2935U)	0.00038 MIN	2.10	9-2199154-3
BOARD LOCK	NATURAL	GREEN(375C)	0.00038 MIN	2.67	9-2199154-2
BOARD LOCK	GREEN(375C)	BLACK	0.00076 MIN	2.10	8-2199154-9
BOARD LOCK	NATURAL	BLUE(2935U)	0.00038 MIN	2.67	8-2199154-8
BOARD LOCK	NATURAL	YELLOW(107C)	0.00076 MIN	3.18	8-2199154-7
BOARD LOCK	NATURAL	YELLOW(107C)	0.00038 MIN	3.18	8-2199154-6
BOARD LOCK	NATURAL	BLUE(2935U)	0.00076 MIN	3.18	8-2199154-4
BOARD LOCK	GREEN(375C)	BLACK	0.00050 MIN	3.18	8-2199154-3
BOARD LOCK	NATURAL	BLUE(2935U)	0.00038 MIN	3.18	8-2199154-2
BOARD LOCK	GREEN(375C)	BLACK	0.00076 MIN	2.67	8-2199154-1
BOARD LOCK	BLUE(2935U)	BLUE(2935U)	0.00038 MIN	2.67	7-2199154-9
BOARD LOCK	NATURAL	YELLOW(107C)	0.00076 MIN	2.67	6-2199154-9
BOARD LOCK	BLUE(2935U)	BLUE(2935U)	0.00038 MIN	3.18	6-2199154-6
BOARD LOCK	BLACK	BLACK	0.00076 MIN	3.18	6-2199154-4
BOARD LOCK	NATURAL	BLACK	0.00076 MIN	3.18	6-2199154-0
BOARD LOCK	BLACK	BLACK	0.00050 MIN	3.18	5-2199154-2
BOARD LOCK	NATURAL	BLACK	0.00050 MIN	3.18	5-2199154-1
BOARD LOCK	NATURAL	NATURAL	0.00076 MIN	3.18	2-2199154-6
BOARD LOCK	NATURAL	NATURAL	0.00038 MIN	3.18	2-2199154-5
BOARD LOCK	BLACK	BLACK	0.00038 MIN	3.18	2-2199154-3
BOARD LOCK	NATURAL	BLACK	0.00038 MIN	3.18	2-2199154-1
BOARD LOCK	NATURAL	NATURAL	0.00076 MIN	2.10	1-2199154-6
BOARD LOCK	NATURAL	BLACK	0.00038 MIN	2.10	1-2199154-5
BOARD LOCK	BLACK	BLACK	0.00076 MIN	2.10	1-2199154-4
BOARD LOCK	NATURAL	NATURAL	0.00038 MIN	2.10	1-2199154-3
BOARD LOCK	NATURAL	BLACK	0.00076 MIN	2.10	1-2199154-2
BOARD LOCK	BLACK	BLACK	0.00038 MIN	2.10	1-2199154-1
BOARD LOCK	NATURAL	NATURAL	0.00076 MIN	2.67	2199154-6
BOARD LOCK	NATURAL	NATURAL	0.00038 MIN	2.67	2199154-5
BOARD LOCK	BLACK	BLACK	0.00076 MIN	2.67	2199154-4
BOARD LOCK	BLACK	BLACK	0.00038 MIN	2.67	2199154-3
BOARD LOCK	NATURAL	BLACK	0.00076 MIN	2.67	2199154-2
BOARD LOCK	NATURAL	BLACK	0.00038 MIN	2.67	2199154-1
HOUSING STYLE	EXTRACTOR COLOR	HOUSING COLOR	CONTACT GOLD INTERFACE	DIM A	PART NUMBER

THIS DRAWING IS A CONTROLLED DOCUMENT.		DWN RICHARD MA 18MAR2013		
		CHK SIMON LI 18MAR2013		
DIMENSIONS: mm		APVD COREI WANG 18MAR2013	NAME SOCKET ASSEMBLY DDR4 DIMM, T/H TYPE 288 POSITION	
TOLERANCES UNLESS OTHERWISE SPECIFIED:		PRODUCT SPEC 108-115067	RESTRICTED TO	
0 PLC ±1		APPLICATION SPEC 501-115076	SIZE A200779	DRAWING NO C=2199154
1 PLC ±0.25		WEIGHT -	SCALE 1:1	SHEET 3 OF 5
2 PLC ±0.15		CUSTOMER DRAWING	REV B	
3 PLC ±0.10				
4 PLC ±				
ANGLES ±				
FINISH				

THIS DRAWING IS UNPUBLISHED. RELEASED FOR PUBLICATION 20
 © COPYRIGHT 20 TE CONNECTIVITY ALL RIGHTS RESERVED.

LOC		DIST		REVISIONS			
P	LTR	DESCRIPTION		DATE	DWN	APVD	
-	-	SEE SHEET 1		-	-	-	



LONG LATCH TYPE

BOARD LOCK	NATURAL	GREEN(375C)	0.00076 MIN	3.18	9-2199154-9
BOARD LOCK	NATURAL	YELLOW(107C)	0.00076 MIN	3.18	9-2199154-8
BOARD LOCK	NATURAL	BLUE(2935U)	0.00076 MIN	3.18	9-2199154-7
BOARD LOCK	NATURAL	GREEN(375C)	0.00038 MIN	2.10	9-2199154-5
BOARD LOCK	NATURAL	BLUE(2935U)	0.00038 MIN	2.10	9-2199154-4
BOARD LOCK	NATURAL	BLUE(2935U)	0.00038 MIN	3.18	9-2199154-0
BOARD LOCK	BLUE(2935U)	BLUE(2935U)	0.00038 MIN	2.10	8-2199154-0
BOARD LOCK	BLUE(2935U)	BLUE(2935U)	0.00038 MIN	2.67	7-2199154-8
BOARD LOCK	BLACK	BLACK	0.00076 MIN	3.18	7-2199154-6
BOARD LOCK	BLUE(2935U)	BLUE(2935U)	0.00038 MIN	3.18	7-2199154-5
BOARD LOCK	NATURAL	NATURAL	0.00038 MIN	3.18	7-2199154-4
BOARD LOCK	BLACK	BLACK	0.00038 MIN	3.18	7-2199154-3
BOARD LOCK	NATURAL	BLACK	0.00038 MIN	2.67	6-2199154-8
BOARD LOCK	NATURAL	BLUE(2935U)	0.00038 MIN	2.67	6-2199154-7
BOARD LOCK	NATURAL	YELLOW(107C)	0.00038 MIN	2.67	6-2199154-5
BOARD LOCK	NATURAL	BLACK	0.00038 MIN	3.18	6-2199154-1
BOARD LOCK	BLACK	BLACK	0.00038 MIN	2.40	5-2199154-9
BOARD LOCK	NATURAL	NATURAL	0.00038 MIN	2.40	5-2199154-8
BOARD LOCK	BLACK	BLACK	0.00076 MIN	2.40	5-2199154-7
BOARD LOCK	NATURAL	NATURAL	0.00076 MIN	2.40	5-2199154-6
BOARD LOCK	NATURAL	BLACK	0.00076 MIN	2.67	5-2199154-5
BOARD LOCK	BLACK	BLACK	0.00076 MIN	2.67	5-2199154-4
WIDER BOARD LOCK	NATURAL	BLACK	0.00038 MIN	2.10	5-2199154-3
WIDER BOARD LOCK	NATURAL	BLUE(2935U)	0.00038 MIN	2.10	5-2199154-0
WIDER BOARD LOCK	NATURAL	GREEN(375C)	0.00038 MIN	2.10	4-2199154-9
BOARD LOCK	NATURAL	BLACK	0.00038 MIN	2.40	4-2199154-8
BOARD LOCK	NATURAL	YELLOW(107C)	0.00038 MIN	2.40	4-2199154-7
BOARD LOCK	NATURAL	BLACK	0.00076 MIN	3.18	2-2199154-8
BOARD LOCK	BLACK	BLACK	0.00038 MIN	2.10	1-2199154-9
BOARD LOCK	NATURAL	NATURAL	0.00038 MIN	2.10	1-2199154-8
BOARD LOCK	NATURAL	BLACK	0.00038 MIN	2.10	1-2199154-7
BOARD LOCK	BLACK	BLACK	0.00038 MIN	2.67	2199154-9
BOARD LOCK	NATURAL	NATURAL	0.00038 MIN	2.67	2199154-8
BOARD LOCK	NATURAL	BLACK	0.00038 MIN	2.67	2199154-7
HOUSING STYLE	EXTRACTOR COLOR	HOUSING COLOR	CONTACT GOLD INTERFACE	DIM A	PART NUMBER

THIS DRAWING IS A CONTROLLED DOCUMENT.

DWN RICHARD MA 18MAR2013
 CHK SIMON LI 18MAR2013
 APVD COREI WANG 18MAR2013

STE TE Connectivity

NAME SOCKET ASSEMBLY
 DDR4 DIMM, T/H TYPE
 288 POSITION

PRODUCT SPEC 108-115067
 APPLICATION SPEC 501-115076

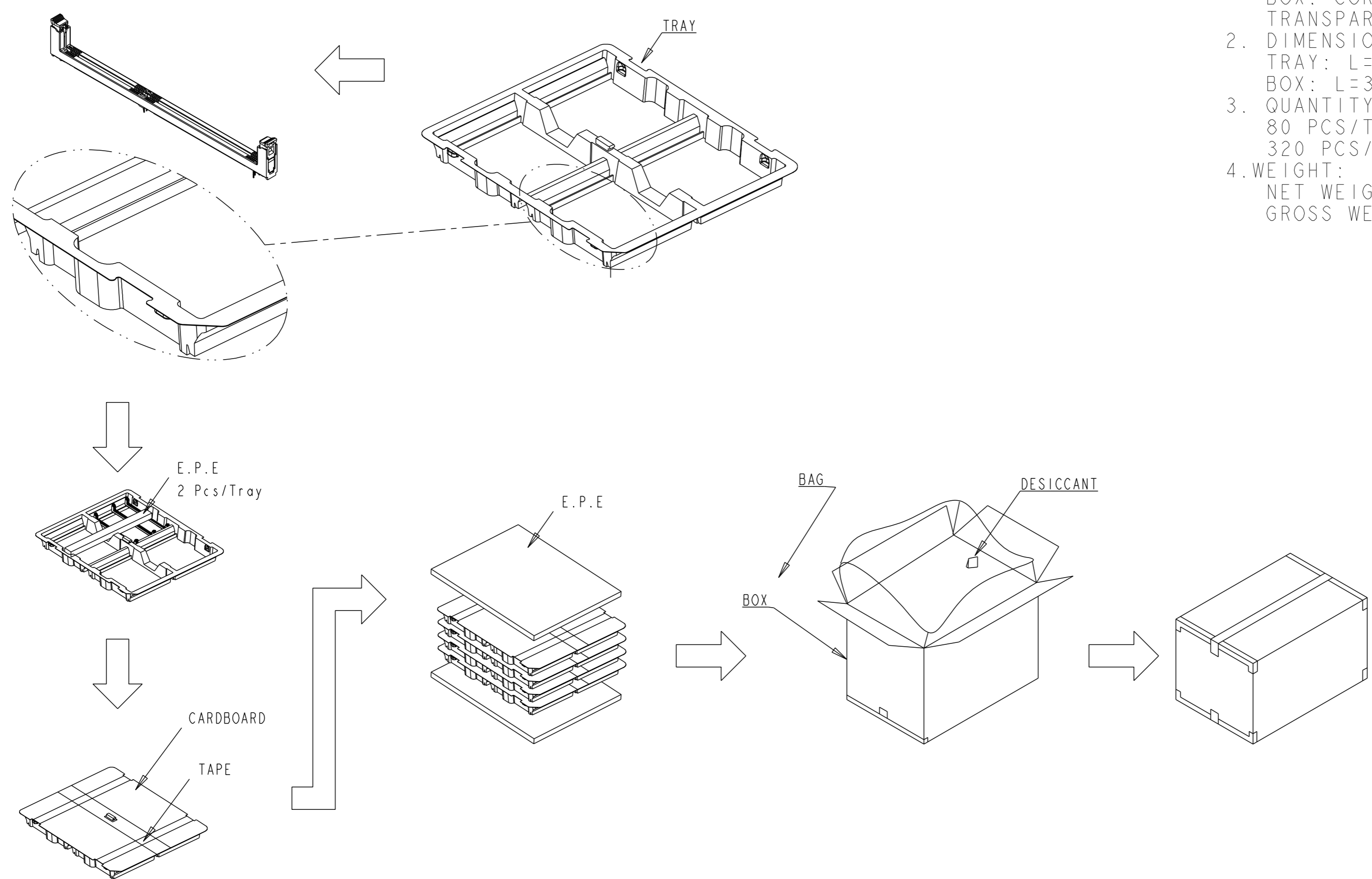
SIZE A200779 CAGE CODE C=2199154
 DRAWING NO 2199154-9

RESTRICTED TO -

CUSTOMER DRAWING SCALE 1:1 SHEET 4 OF 5 REV B

THIS DRAWING IS UNPUBLISHED. RELEASED FOR PUBLICATION 20
 © COPYRIGHT 20 TE CONNECTIVITY ALL RIGHTS RESERVED.

LOC		DIST		REVISIONS			
P	LTR	DESCRIPTION	DATE	DWN	APVD		
-	-						



1. MATERIALS :
 TRAY: PVC, COLOR: TRANSPARENT
 BOX: CORRUGATED FIBERBOARD
 TRANSPARENT BAG: PE
2. DIMENSIONS:
 TRAY: L=343;W=292;H=32.5
 BOX: L=365;W=310;H=200
3. QUANTITY:
 80 PCS/TRAY
 320 PCS/BOX
4. WEIGHT:
 NET WEIGHT: 1.9KG
 GROSS WEIGHT: 3.4KG

THIS DRAWING IS A CONTROLLED DOCUMENT.		DWN 18MAR2013 RICHARD MA	TE Connectivity	
DIMENSIONS: mm		CHK 18MAR2013 SIMON LI		
TOLERANCES UNLESS OTHERWISE SPECIFIED:		APVD 18MAR2013 COREI WANG	NAME SOCKET ASSEMBLY DDR4 DIMM, T/H TYPE 288 POSITION	
		PRODUCT SPEC 108-115067	SIZE	RESTRICTED TO
MATERIAL		APPLICATION SPEC 501-115076	CAGE CODE A200779	DRAWING NO C=2199154
		WEIGHT -	SCALE 1:1	SHEET 5 OF 5
		CUSTOMER DRAWING	REV B	