

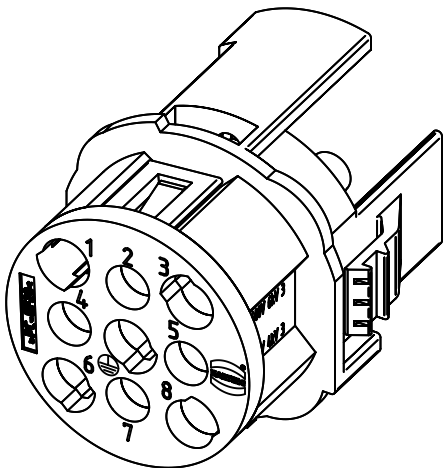
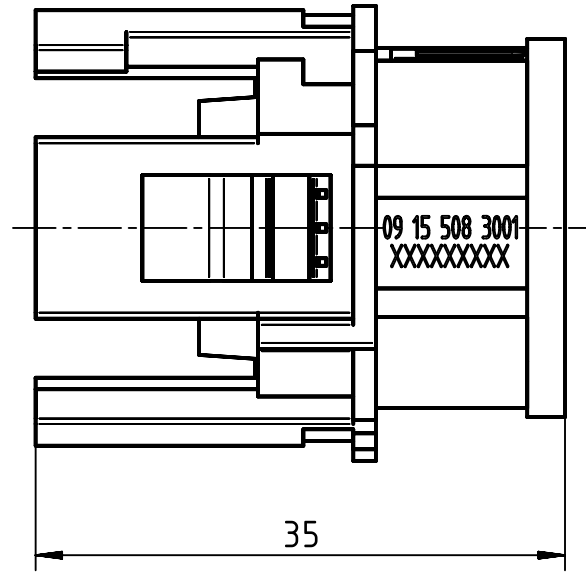
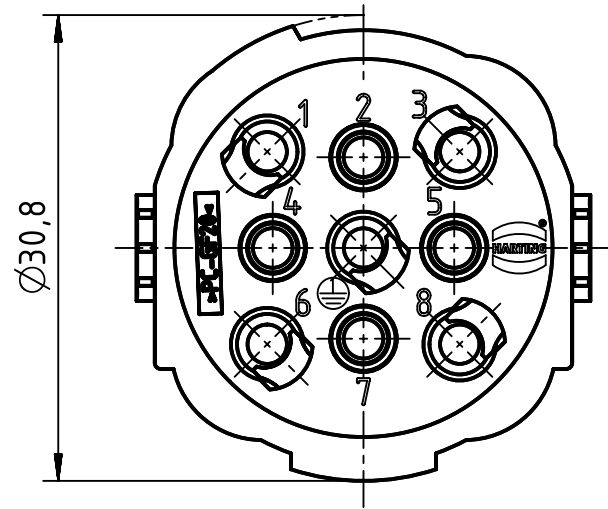
1 2 3 4 5 6

A

B

C

D



	All Dimensions in mm Original Size DIN A4		Scale 2:1	Free size tol.		Ref.	
						Sub.	
	All rights reserved		Created by HOLLERT	Inspected by GARSKE	Standardisation SCHMIDTM	Date 2015-01-28	State Final Release
	Department EL PD - DE		Title Han F+B 4/4-M			Doc-Key / ECM-Nr. 100550189/UGD/001/F 500000084155	
HARTING Electric GmbH & Co. KG D-32339 Espelkamp			Type TB	Number 09 15 508 3001		Rev. F	Page 1/1