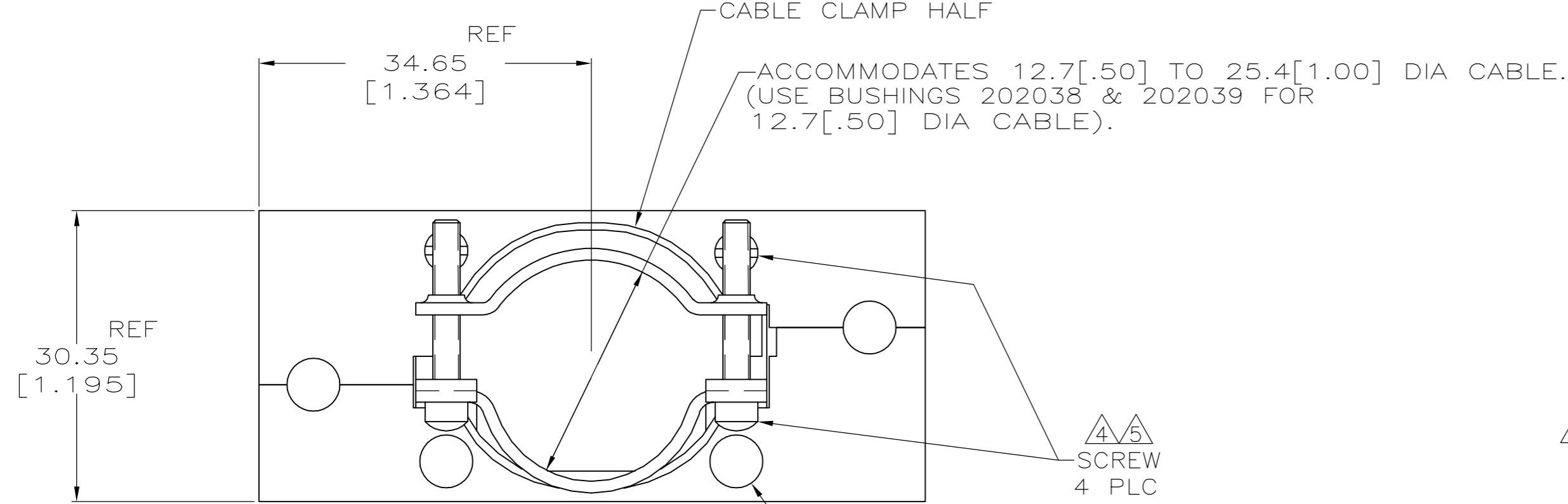
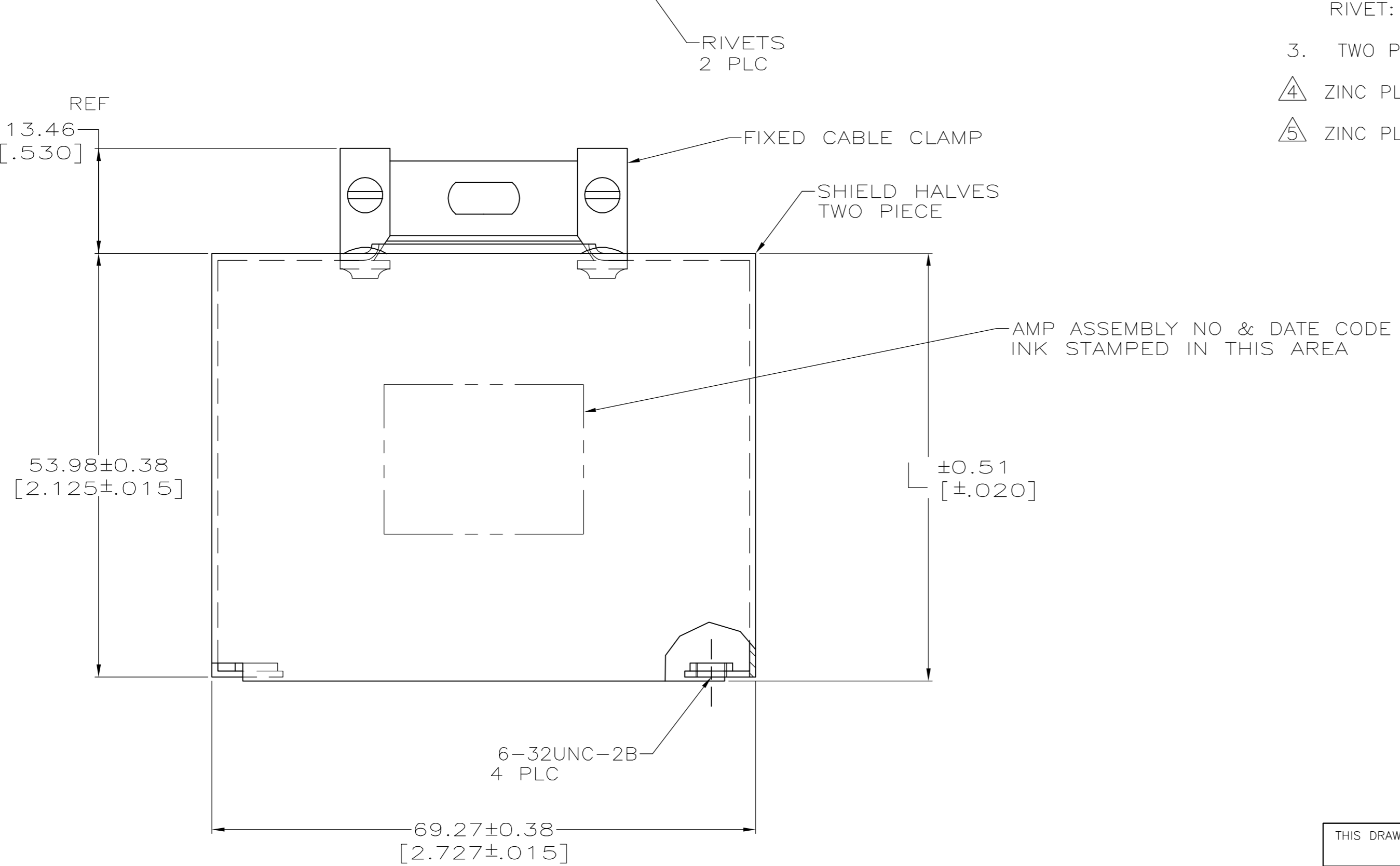


THIS DRAWING IS UNPUBLISHED. RELEASED FOR PUBLICATION  
 © COPYRIGHT BY TYCO ELECTRONICS CORPORATION. ALL RIGHTS RESERVED.

LOC		DIST		REVISIONS			
P	LTR	DESCRIPTION		DATE	DWN	APVD	
FT	0	J1	REVISED PER ECO-07-000274	1/5/07	SS	GS	



- ① SHIELD HALF, TWO PIECE, CABLE CLAMP HALF, RIVET AND SCREW: CARBON STEEL. CABLE CLAMP FIXED: STAINLESS STEEL.
- ② SHIELD HALF, TWO PIECE AND CABLE CLAMP HALF: 5.08um [.000200] MIN NICKEL. SCREW: 3.81um [.000150] MIN ZINC. RIVET: NICKEL.
- 3. TWO PVC SLEEVES FOR INSULATION OF JACKSCREWS TO BE PACKAGED WITH ASSEMBLY.
- ④ ZINC PLATING WITH HEXAVALENT CHROMATE COATING.
- ⑤ ZINC PLATING WITHOUT HEXAVALENT CHROMATE COATING.



⑤	71.04 [2.797]	202713-7
⑤	53.98 [2.125]	202713-6
-	-	202713-5
-	-	202713-4
-	-	202713-3
④	71.04 [2.797]	202713-2
④	53.98 [2.125]	202713-1
SCREW FINISH	L	PART NUMBER

THIS DRAWING IS A CONTROLLED DOCUMENT.		DWN C.OBERMAN 05/26/95	<b>tyco</b> Tyco Electronics Corporation	
DIMENSIONS: mm		CHK R.STONE 6-1-95	Harrisburg, PA 17105-3608	
TOLERANCES UNLESS OTHERWISE SPECIFIED:		APVD G.STEINHAUER 6-5-95	NAME	
0 PLC ± -	1 PLC ± -	PRODUCT SPEC	TWO PIECE SHIELD ASSEMBLY, 75 POSITION, M SERIES	
2 PLC ± -	3 PLC ± -	APPLICATION SPEC	SIZE A2	CAGE CODE 00779
4 PLC ± -	ANGLES ± -	WEIGHT -	DRAWING NO C=202713	RESTRICTED TO -
MATERIAL - ①	FINISH - ②	CUSTOMER DRAWING	SCALE 2:1	SHEET 1 of 1
			REV J1	

202713

A