

Model No: FSL-0512R01-08
 Product Line: Tymphany

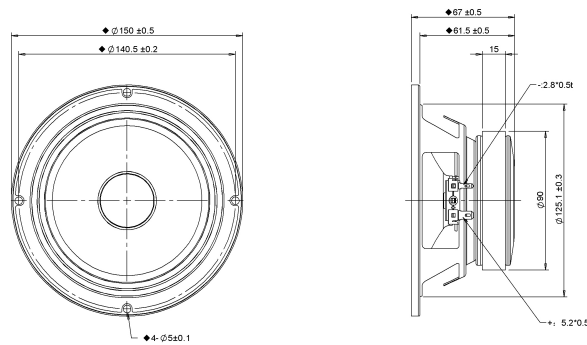
Rev: 1
 Last Update: 2017-03-03 02:00:02

Product Description

This 5.25 inch 8 ohm speaker features a FEA optimized ferrite magnet motor, a 1.2 inch high-temperature voice coil, and a high strength stamped steel frame. The multi-roll surround and spider have been optimized to reduce distortion over the excursion range of this transducer.



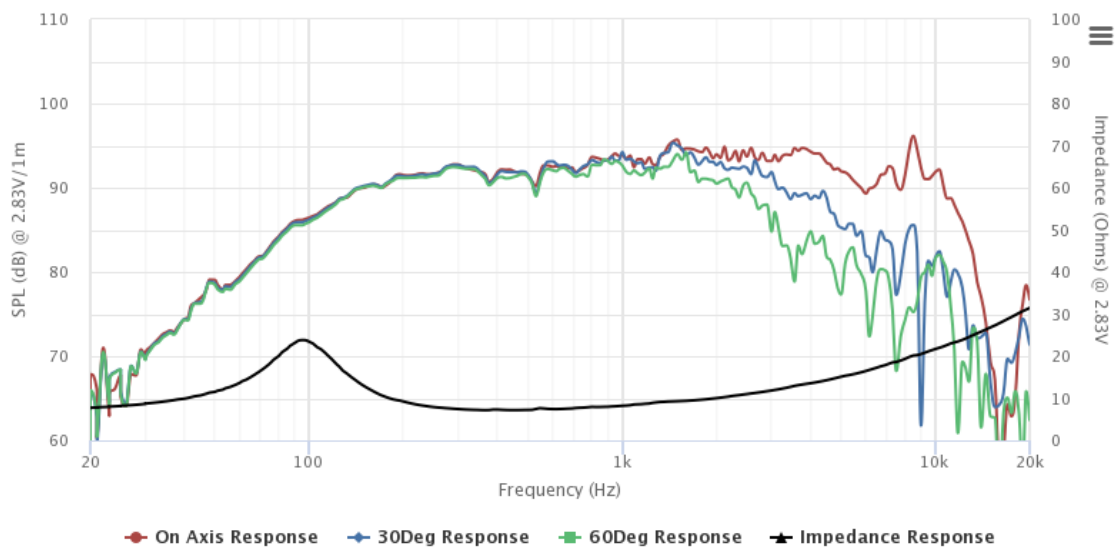
Mechanical Drawing



Specifications

DC Resistance	Revc	Ohms	5.71	5.0%	Energy Bandwidth Product	EBP	(1/Qes)*fs
Minimum Impedance	Zmin	Ohms	7.18	7.5%	Moving Mass	Mms	g
Voice Coil Inductance	Le	mH	0.23		Suspension Compliance	Cms	um/N
Resonant Frequency	Fs	Hz	107.82	15%	Effective Cone diameter	D	cm
Mechanical Q Factor	Qms		1.65		Effective Piston Area	Sd	cm^2
Electrical Q Factor	Qes		0.65		Effective Volume	Vas	L
Total Q Factor	Qts		0.47		Motor Force Factor	BL	Tm
Ratio Fs/Qts	F	Fs/Qts	230.87		Motor Efficiency Factor	β	(T*M^2)/Ohms
Half Space Sensitivity @2.83V	db@2.83V/1M	dB	91.44	+/- 1.0db	Voice coil former Material	VCfm	KSV
Half Space Sensitivity @1W/1M	db@1W/1M	dB	91	+/- 1.0db	Voice coil inner diameter	Vcd	mm
Gap Height	Gh	mm	4		Rated Noise Power	P	W
Maximum Linear Excursion	Xmax	mm	3.9		Test Spectrum Bandwidth		90Hz-900Hz
Ferrofluid Type	FF		N/A		Driver Size	Inch	5.25 in
Driver Mass	Kg		0.94				

Frequency and Impedance Response



Highcharts.com