

TDK Corporation

Piezo & Protection Device B. Grp.

3-9-1, Shibaura, Minato-ku, Tokyo,

108-0023, Japan

TEL. 03-6852-7300



NTCG

**NTC Chip Thermistor
Temperature Sensing Device**

PRODUCT: NTCG164LH223JTDS

**This product is compliant with the
AEC-Q200 standard.**

PAGE NO.: 1 OF 1

Dimensions and construction

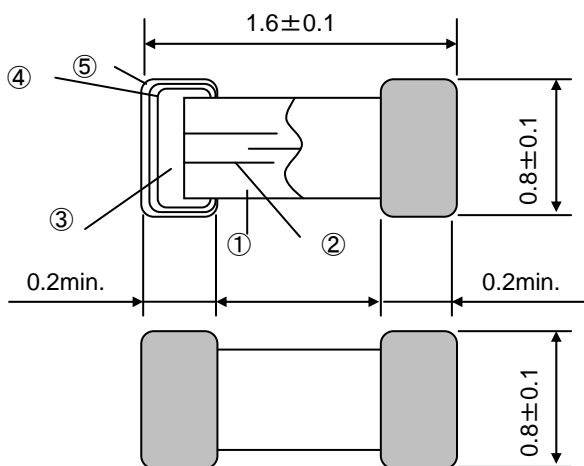


TABLE1. Parts List

	Part Name	Material
①	Element	Manganese, Nickel-oxide base Ceramics materials
②	Inner electrodes	Palladium
③	Terminal	Silver base
④	electrodes	Nickel-plating
⑤		Tin-plating

Operating temperature range

-40 ~ +125°C

TABLE 2. Electric Performance:

Item	Symbol	Specification
Nominal resistance and tolerance	R25	22kΩ ± 5%
B value and tolerance	B25/85	4550K ± 3%
Maximum rated power (condition: chip)	P25	100 mW / 25°C in still air

TABLE 3. Resistance - Temperature Characteristics (condition: chip in silicone oil)

Temp (°C)	Min (kΩ)	Nom (kΩ)	Max (kΩ)	Temp (°C)	Min (kΩ)	Nom (kΩ)	Max (kΩ)	Temp (°C)	Min (kΩ)	Nom (kΩ)	Max (kΩ)
-40.0	945.4	1120	1323	20.0	26.70	28.32	29.96	80.0	1.815	2.052	2.313
-35.0	666.5	780.9	912.6	25.0	20.90	22.00	23.10	85.0	1.502	1.707	1.935
-30.0	475.0	550.8	637.0	30.0	16.23	17.21	18.20	90.0	1.248	1.426	1.625
-25.0	342.1	392.7	449.5	35.0	12.69	13.55	14.44	95.0	1.042	1.197	1.371
-20.0	248.9	282.9	320.6	40.0	9.99	10.74	11.52	100.0	0.873	1.009	1.162
-15.0	182.8	205.8	231.0	45.0	7.910	8.565	9.251	105.0	0.735	0.853	0.988
-10.0	135.5	151.1	168.1	50.0	6.303	6.871	7.470	110.0	0.622	0.725	0.843
-5.0	101.3	112.0	123.5	55.0	5.053	5.543	6.066	115.0	0.528	0.618	0.723
0.0	76.40	83.71	91.49	60.0	4.074	4.497	4.952	120.0	0.449	0.529	0.621
5.0	58.08	63.10	68.38	65.0	3.302	3.668	4.064	125.0	0.384	0.454	0.536
10.0	44.49	47.94	51.53	70.0	2.691	3.007	3.352				
15.0	34.34	36.71	39.14	75.0	2.205	2.478	2.778				