

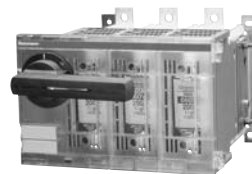
Disconnect Switch

Fusible, 60-100A, 600V

BDF60 and BDF100



BDF60J6



BDF100JT6

Catalog Symbols*: BDF60J6, BDF100JT6

Ampere Rating: 60 to 100 Amperes

Voltage Rating: 600 Volts

Agency Approvals:

UL Listed, Guide WPZX, File E155129

CSA Certified, File 58077M9

IEC 947-1

General Information:

Bussmann fused disconnect switches are UL 98/CSA 22.2 No. 4 devices. This makes them suitable for use on service equipment, panel boards, switchboards, industrial control equipment, motor control centers, etc.

*Catalog symbol is for **switch only**. Handles and shafts are ordered separately.

Fuse Type	Maximum Horsepower Rating					
	200V	208V	240V	480V	600V	
BDF60J6	J	15	15	15	30	40
BDF100JT6	J†	25	25	30	40	50

†Class J fuses are standard. If 600V Class T fuses are desired, use BDTA1 adapters.

CE CE logo denotes compliance with European Union Low Voltage Directive (50-1000 VAC, 75-1500 VDC). Refer to BIF document #8002 or contact Bussmann Application Engineering at 314-527-1270 for more information.

Components:

Handles

Style	NEMA Type	Color	Grip Length (Inches)	Marking	Padlock-able	Defeat-able	Catalog Number
60-100A (□ 0.24" x 0.24")							
Pistol	1, 12	Blk	3.15	Off/On	Yes	Yes	BDH20
Pistol	1, 3R, 12	Blk	2.36	Off/On	Yes	Yes	BDH50
Pistol	4, 4X	Blk	2.36	Off/On	Yes	No	BDH57

Terminal Lug Kits - Kit Includes 6 Lugs

Amp Rating	Wire Size	Wire Type	Kit Catalog Number
100	#14 - 2/0	Cu/Al	BDTL24
200	#6 - 300 kcmil	Cu/Al	BDTL25
400	#2 - 600 kcmil	Cu/Al	BDTL26
600 & 800.	(2) #2 - 600 kcmil	Cu/Al	BDTL27

Shafts

Mounting Depth**	Shaft Length	Catalog Number
60 - 100 Amps (□ 0.24" x 0.24")		
5.50 - 8.50	5.90	BDS150
8.00 - 11.00	8.26	BDS210
11.00 - 14.00	11.41	BDS290
13.75 - 16.75	14.17	BDS360
16.54 - 19.69	16.93	BDS430

**Mounting depth is measured from outside panel door to mounting plate of disconnect. Shaft can be cut to desired length.

Accessories:

Fuse Covers and Terminal Shrouds (line-side)

Amp Rating	Fuse Type	Voltage	Fuse Covers Catalog Number	Terminal Shrouds Catalog Number
60	J	600V	BDFC60J	Not Required
100	J or T	600V	BDFC100	BDTSF1

Auxiliary Contacts - F60 through F100

Switch Amp Rating	Aux. Contact Amp Rating	Voltage	1 N.O. & 1 N.C. Catalog Number	2 N.O. & 2 N.C. Catalog Number
60	6	250	BDAUX7	BDAUX8
100	6	250	BDAUX7	BDAUX8

Disconnect Switch

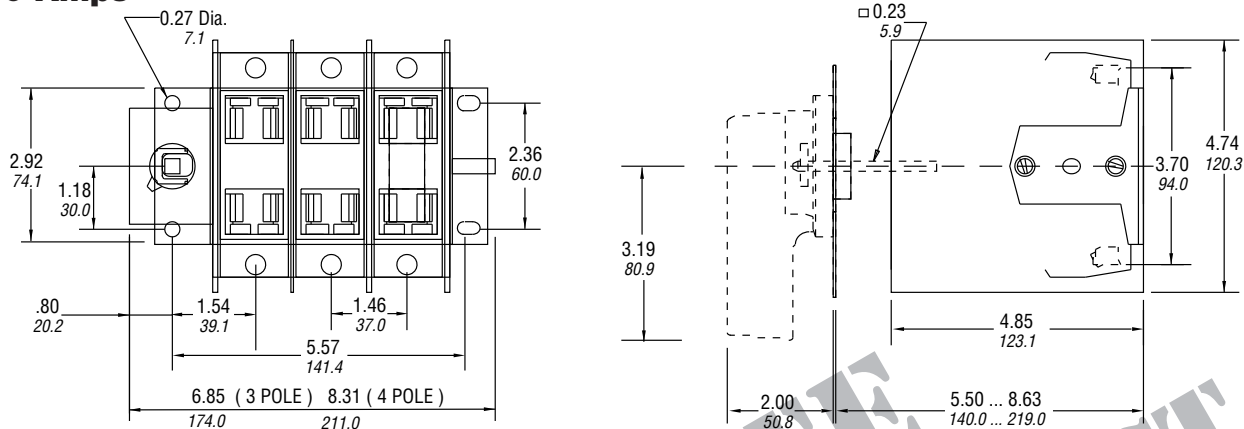
Fusible, 60-100A, 600V

BDF60 and BDF100

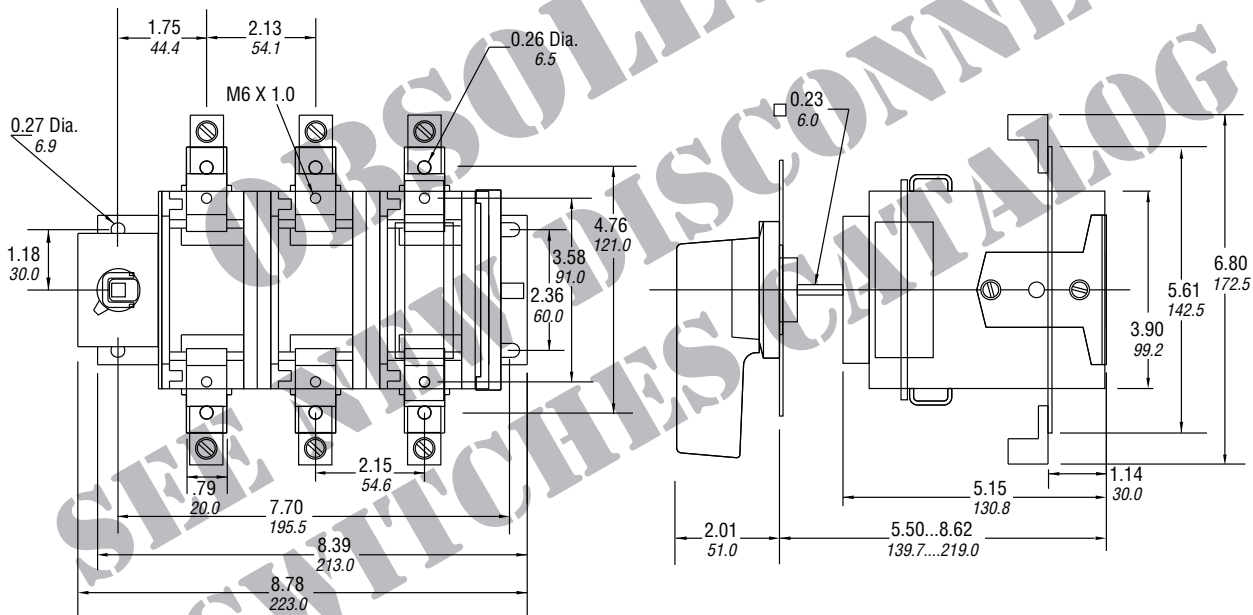
Dimensional Data

00.00 Inches
00.0 Millimeters

60 Amps



100 Amps



The only controlled copy of this BIF document is the electronic read-only version located on the Bussmann Network Drive. All other copies of this document are by definition uncontrolled. This bulletin is intended to clearly present comprehensive product data and provide technical information that will help the end user with design applications. Bussmann reserves the right, without notice, to change design or construction of any products and to discontinue or limit distribution of any products. Bussmann also reserves the right to change or update, without notice, any technical information contained in this bulletin. Once a product has been selected, it should be tested by the user in all possible applications.