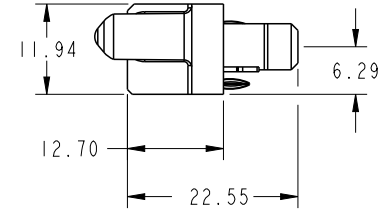
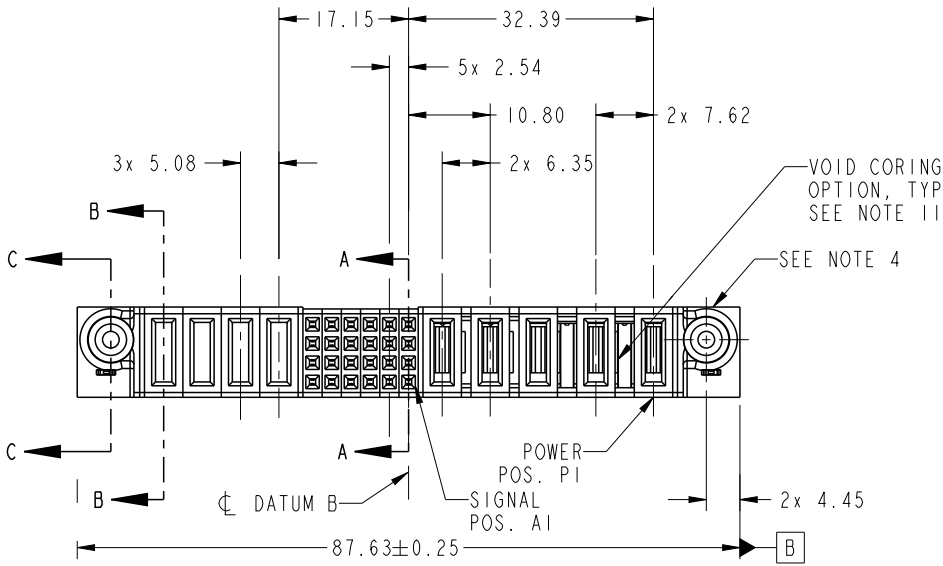


PRODUCT NO.	ROWS	POWER				SIGNAL				POWER								
		E2	P9	P8	P7	P6	6	5	4	3	2	1	P5	P4	P3	P2	P1	E1
51940-473-- NOTE: 3	D C B A		PC	PC	PC	PC	F	F	F	F	F	F	F	F	F	F	F	



CODE	DIM "M" MATING LENGTH	CONTACT TYPE
PC	[1.07]	POWER
F	[N/A]	SIGNAL
HA	[N/A]	HOLD-DOWN
PH	[2.34]	POWER
PG	[1.07]	POWER

spec ref	*	dr	Luo Weller	2013/01/14	projection	MM	size	A4	scale	1:1					
tolerance std	TOLERANCES UNLESS OTHERWISE SPECIFIED	eng	Luo Weller	2013/02/24			ecn no	-	rel level	Released					
SEE NOTE		chr	-	-	appr						Pei-Ming Zheng	2013/02/24	product family	PwrBlade	
surface	linear	0.X	±0.5		title	3AC CABLE P + 2DC CABLE P + 24S + 4P	dwg no	51940-473	rev	A					
		0.XX	±0.25								www.fci.com	cat. no.	*	Product - Customer Drw	sheet 1 of 4
	angular	0°	±2°												

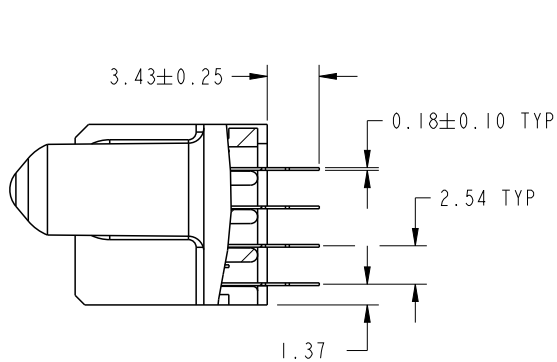


Copyright FCI.

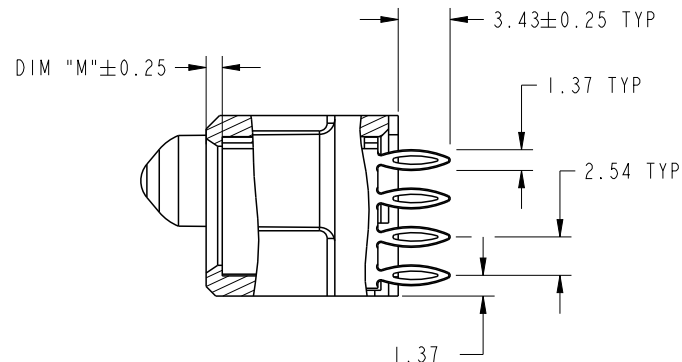
PrdE File - REV C - 2009-06-09

PRODUCT NUMBER

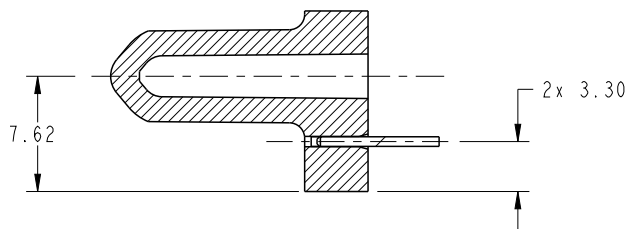
51940-473\_\_  
NOTE: 3



SECTION A-A  
SCALE 2:1



SECTION B-B  
SCALE 2:1



SECTION C-C  
SCALE 2:1

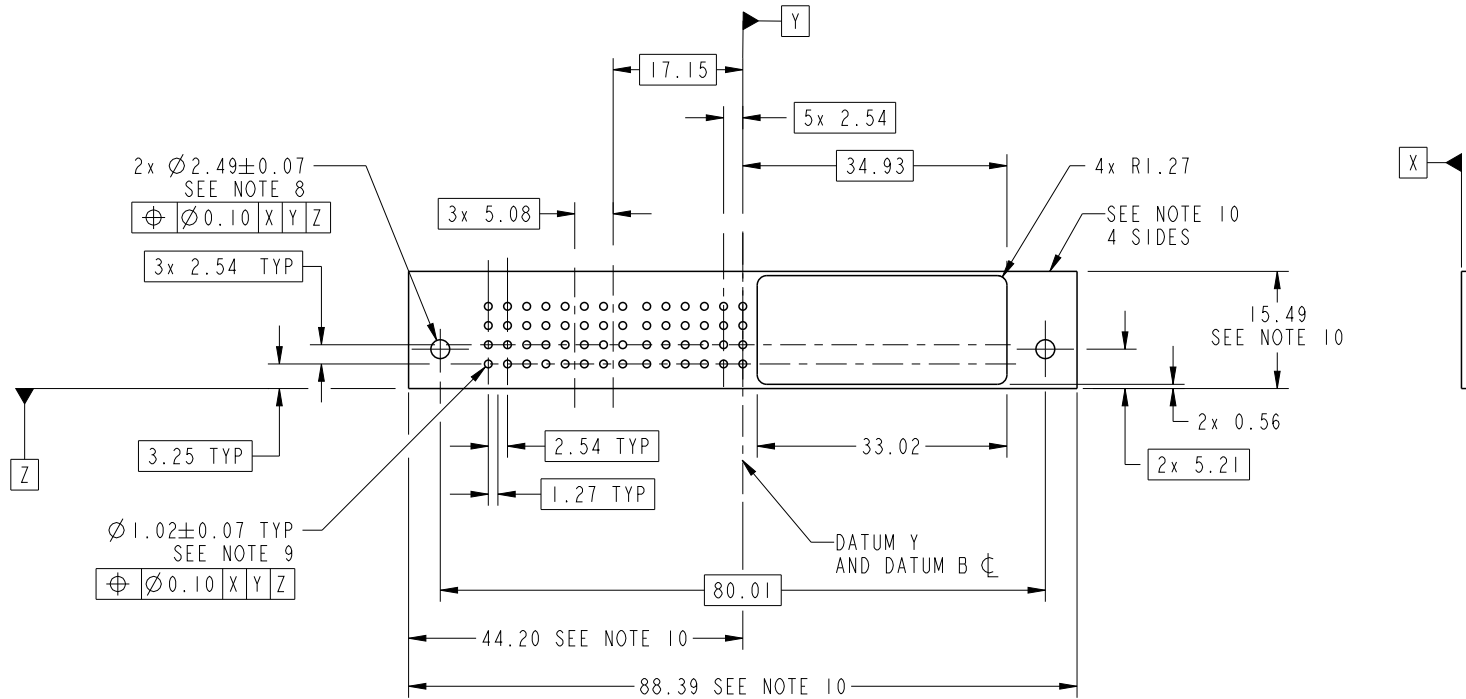
dr	Luo Weller	2013/01/14	projection 	MM 	size	A4	scale	1:1
eng	Luo Weller	2013/02/24			ecn no	-		
chr	-	-						
appr	Pei-Ming Zheng	2013/02/24	product family	PwrBlade	rel level	Released		
		title 3AC CABLE P + 2DC CABLE P + 24S + 4P VERTICAL PF RECEPT	dwg no 51940-473	rev A				
www.fci.com		cat. no.	*	Product - Customer Drw	sheet 2 of 4			



Copyright FCI.

PRODUCT NUMBER

51940-473--  
NOTE: 3



RECOMMENDED PCB LAYOUT

dr	Luo Weller	2013/01/14	projection 	MM 	size	A4	scale	1:1	
eng	Luo Weller	2013/02/24			ecn no	-			
chr	-	-			rel level	Released			
appr	Pei-Ming Zheng	2013/02/24	product family	PwrBlade					
		title	3AC CABLE P + 2DC CABLE P + 24S + 4P		dwg no	51940-473		rev	A
www.fci.com		cat. no.	*	Product - Customer Drw	sheet 3 of 4				

PRODUCT NUMBER

51940-473\_\_  
NOTE: 3

NOTES:

1. DIMENSIONS AND TOLERANCES ARE IN ACCORDANCE WITH ASME Y14.5M, 1994 UNLESS OTHERWISE SPECIFIED.

CONNECTOR NOTES:

- ② HOUSING MATERIAL: UL 94 V-0 GLASS FILLED HIGH-TEMP THERMOPLASTIC  
POWER CONTACT MATERIAL: COPPER ALLOY  
SIGNAL PIN MATERIAL: COPPER ALLOY
  - 3. PLATING SPEC  
SEE ITEM 7 & 8 IN PRINT 10064183 FOR PLATING SPEC OF 51940-473 AND 51940-473LF RESPECTIVELY.
  - ④ MANUFACTURER'S NAME, DATE CODE AND OPTIONAL P/N TO APPEAR ON THIS SURFACE. THE P/N CAN BE OMITTED IF THERE IS NOT ENOUGH SPACE ON THIS SURFACE.
  - 5. PRODUCT SPECIFICATION GS-12-149.  
APPLICATION SPECIFICATION BUS-20-067.
  - 6. PACKAGED IN TRAYS.
- PCB NOTES:
- 7. ALL HOLE DIAMETERS ARE FINISHED HOLE SIZE.
  - ⑧ MOUNTING HOLES, WHERE APPLICABLE, ARE UNPLATED.
  - ⑨  $\varnothing 1.151 \pm 0.025$  DRILLED HOLES PLATED WITH  
0.008 MIN SnPb OR Sn OVER 0.03  
TO 0.08 Cu PLATING TO ACHIEVE  
 $\varnothing 1.02 \pm 0.07$  HOLE.
  - ⑩ CONNECTOR KEEP-OUT ZONE.
11. THE VOID CORING IN BETWEEN POWER MODULES, SIGNAL MODULES AND END MODULES ARE OPTIONAL AND THE SHAPE MAY BE DIFFERENT FOR OPTIMIZE THE MOLDING PROCESS. THE VOID CORING WILL NOT EFFECT TO PRODUCT FUNCTION.

dr	Luo Weller	2013/01/14	projection 	MM 	size	A4	scale	1:1
eng	Luo Weller	2013/02/24			ecn no	-		
chr	-	-			product family	PwrBlade	rel level	Released
appr	Pei-Ming Zheng	2013/02/24			title 3AC CABLE P + 2DC CABLE P + 24S + 4P VERTICAL PF RECEPT	dwg no 51940-473	rev A	
www.fci.com		cat. no.	*	Product - Customer Drw		sheet 4 of 4		



Copyright FCI.