

LOC	DIST	REVISIONS			
P	LTR	DESCRIPTION	DATE	DWN	APVD
E	B	B2	REVISED PER ECO-11-005150	29MAR2011	RK HMR

1 FOR FURTHER INFORMATION SEE DATA SHEET FOR HS SERIES-ALUMINIUM HOUSED RESISTORS

2 FOR A SPECIFIC PN FOR A RESISTANCE VALUE AND TOLERANCE, PLEASE REFER TO DMF

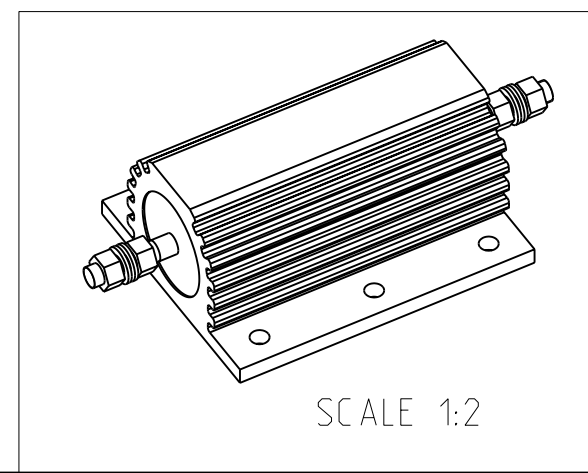
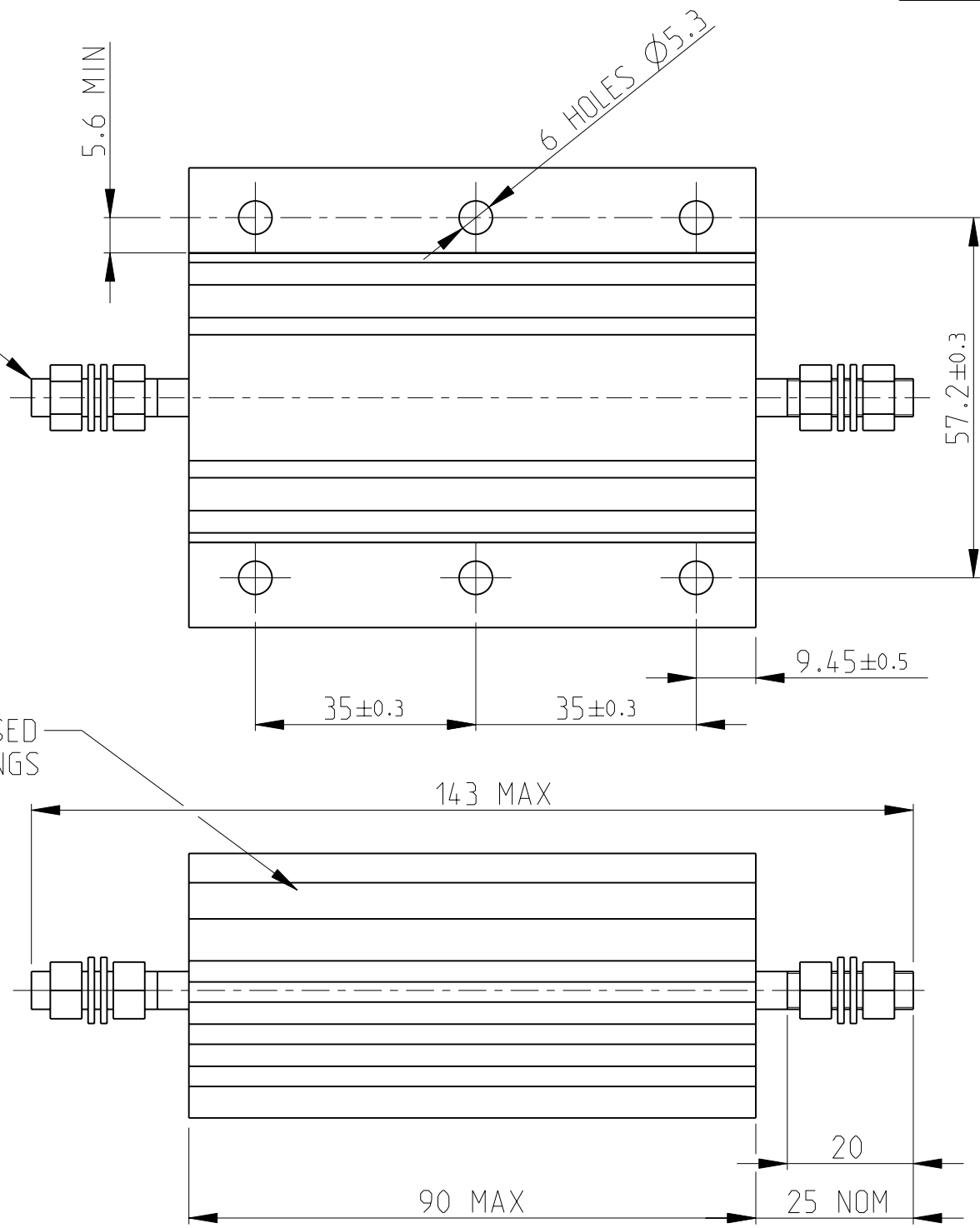
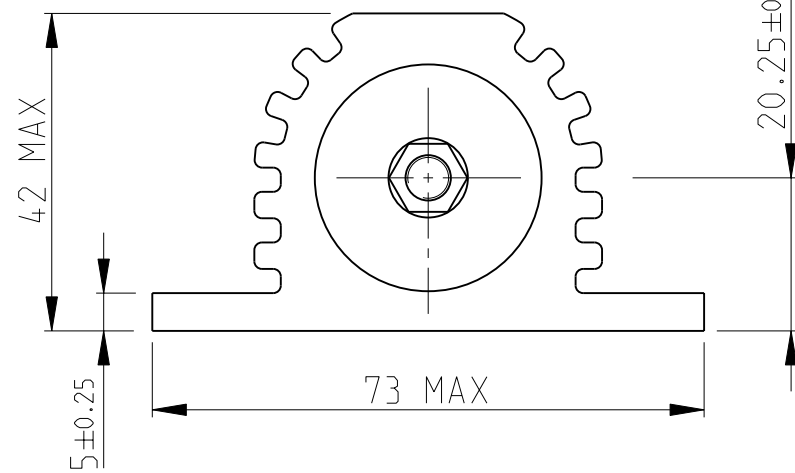
M6 ST/STEEL TERMINAL STUDS.  
EACH SUPPLIED WITH:-  
2 OFF M6 ST/STEEL FULL NUTS  
2 OFF M6/STEEL PLAN WASHERS


GOLD ANODISED  
ALUMINIUM HOUSINGS

HSC200  
ALUMINIUM HOUSED  
POWER RESISTOR

RoHS Compliant

SCALE 1:2



THIS DRAWING IS A CONTROLLED DOCUMENT.		DWN L LUONG	10.MAR.03	 TE Connectivity NAME HSC200 ALUMINIUM HOUSED POWER RESISTOR	
DIMENSIONS: mm		CHK J CATCHPOLE	10.MAR.03		
TOLERANCES UNLESS OTHERWISE SPECIFIED:		APVD J CATCHPOLE	10.MAR.03		
0 PLC ±0.5 1 PLC ±0.2 2 PLC ±0.1 3 PLC ± 4 PLC ± ANGLES ±5°		PRODUCT SPEC	-		
MATERIAL -		FINISH -	-	APPLICATION SPEC	-
		WEIGHT -	-	SIZE	A3
		CUSTOMER DRAWING	SCALE 1:1	CAGE CODE	00779
				DRAWING NO	1630019
				RESTRICTED TO	-
				SHEET	1 OF 1
				REV	B2