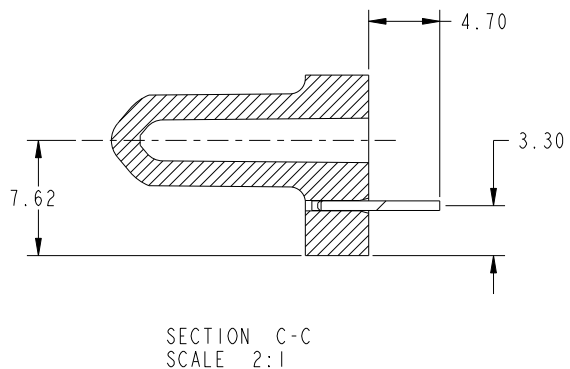
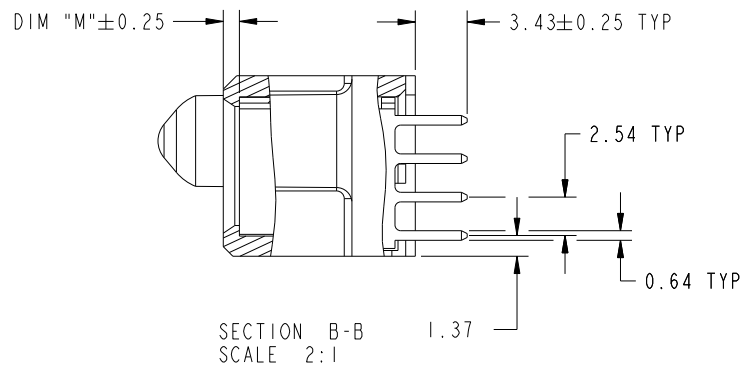




PRODUCT NUMBER

51750-141--  
NOTE: 3



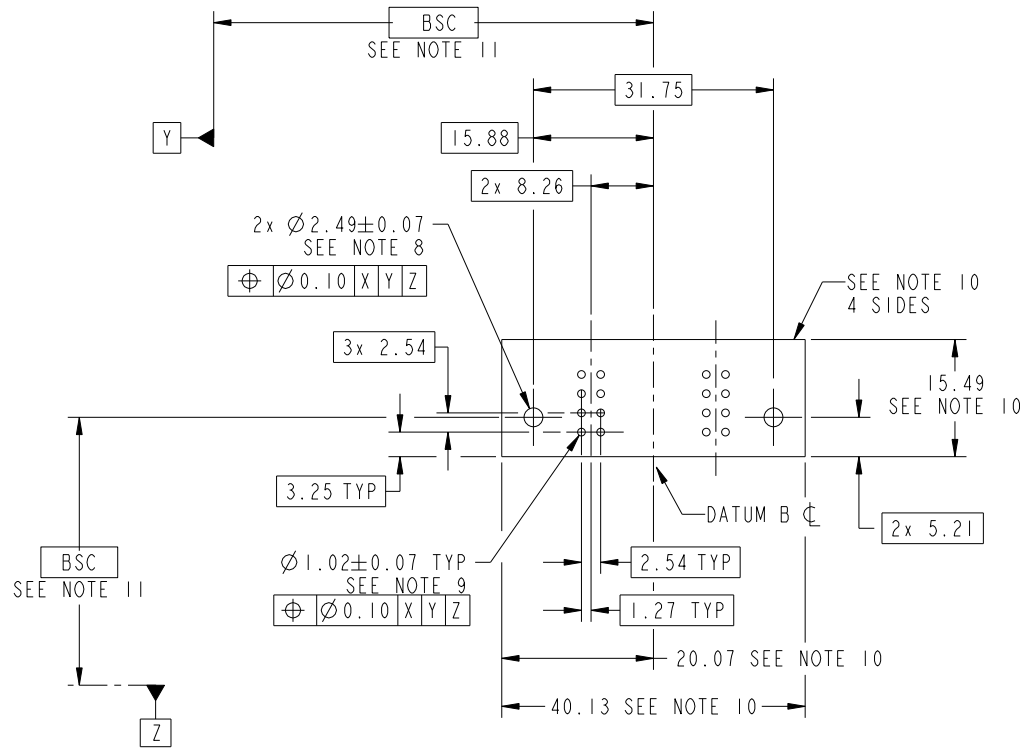
dr	De-Ming Lu	2015/01/04	projection 	MM ←————→	size	A4	scale	1:1
eng	De-Ming Lu	2015/01/08			ecn no	-		
chr	-	-			rel level	Released		
appr	Pei-Ming Zheng	2015/01/08	product family	PwrBlade				
	title	IP + 16S + IP VERTICAL SOLDER RECEPT		dwg no	51750-141		rev	A
www.fci.com	cat. no.	*	Product - Customer Drw			sheet 2 of 4		



Copyright FCI.

PRODUCT NUMBER

51750-141--  
NOTE: 3



RECOMMENDED PCB LAYOUT

dr	De-Ming Lu	2015/01/04	projection 	MM ←→	size	A4	scale	1:1	
eng	De-Ming Lu	2015/01/08			ecn no	-			
chr	-	-			rel level	Released			
appr	Pei-Ming Zheng	2015/01/08	product family	PwrBlade					
	title	IP + 16S + IP VERTICAL SOLDER RECEPT			dwg no	51750-141		rev	A
www.fci.com	cat. no.	*	Product - Customer Drw			sheet 3 of 4			



Copyright FCI.

PRODUCT NUMBER

51750-141--  
NOTE: 3

NOTES:

1. DIMENSIONS AND TOLERANCES ARE IN ACCORDANCE WITH ASME Y14.5M, 1994 UNLESS OTHERWISE SPECIFIED.

CONNECTOR NOTES:

- 2 HOUSING MATERIAL: UL 94 V-0 GLASS FILLED HIGH-TEMP THERMOPLASTIC  
POWER CONTACT MATERIAL: COPPER ALLOY  
SIGNAL PIN MATERIAL: COPPER ALLOY
  - 3. SEE ITEM 5 & 6 IN PRINT 10064183 FOR PLATING SPEC OF 51750-141 AND 51750-141LF RESPECTIVELY.
  - 4 MANUFACTURER'S NAME, DATE CODE AND OPTIONAL P/N TO APPEAR ON THIS SURFACE. THE MARK CAN BE OMITTED IF THERE IS NOT ENOUGH SPACE ON THIS SURFACE.
  - 5. PRODUCT SPECIFICATION GS-12-149.  
APPLICATION SPECIFICATION BUS-20-067.
  - 6. PACKAGED IN TRAYS.
- PCB NOTES:
- 7. ALL HOLE DIAMETERS ARE FINISHED HOLE SIZE.
  - 8 MOUNTING HOLES, WHERE APPLICABLE, ARE UNPLATED.
  - 9  $\varnothing 1.151 \pm 0.025$  DRILLED HOLES PLATED WITH  
0.008 MIN SnPb OR Sn OVER 0.03  
TO 0.08 Cu PLATING TO ACHIEVE  
 $\varnothing 1.02 \pm 0.07$  HOLE.
  - 10 CONNECTOR KEEP-OUT ZONE.
  - 11. THE VOID CORING IN BETWEEN POWER MODULES, SIGNAL MODULES AND END MODULES ARE OPTIONAL AND THE SHAPE MAY BE DIFFERENT FOR OPTIMIZE THE MOLDING PROCESS. THE VOID CORING WILL NOT EFFECT TO PRODUCT FUNCTION.
  - 12. DATUM AND BASIC DIMENIONS ARE ESTABLISHED BY CUSTOMER.

dr	De-Ming Lu	2015/01/04	projection 	MM 	size	A4	scale	1:1	
eng	De-Ming Lu	2015/01/08			ecn no	-			
chr	-	-							
appr	Pei-Ming Zheng	2015/01/08	product family	PwrBlade	rel level	Released			
		title	IP + 16S + IP		dwg no	51750-141		rev	A
www.fci.com	cat. no.	*	Product - Customer Drw			sheet 4 of 4			