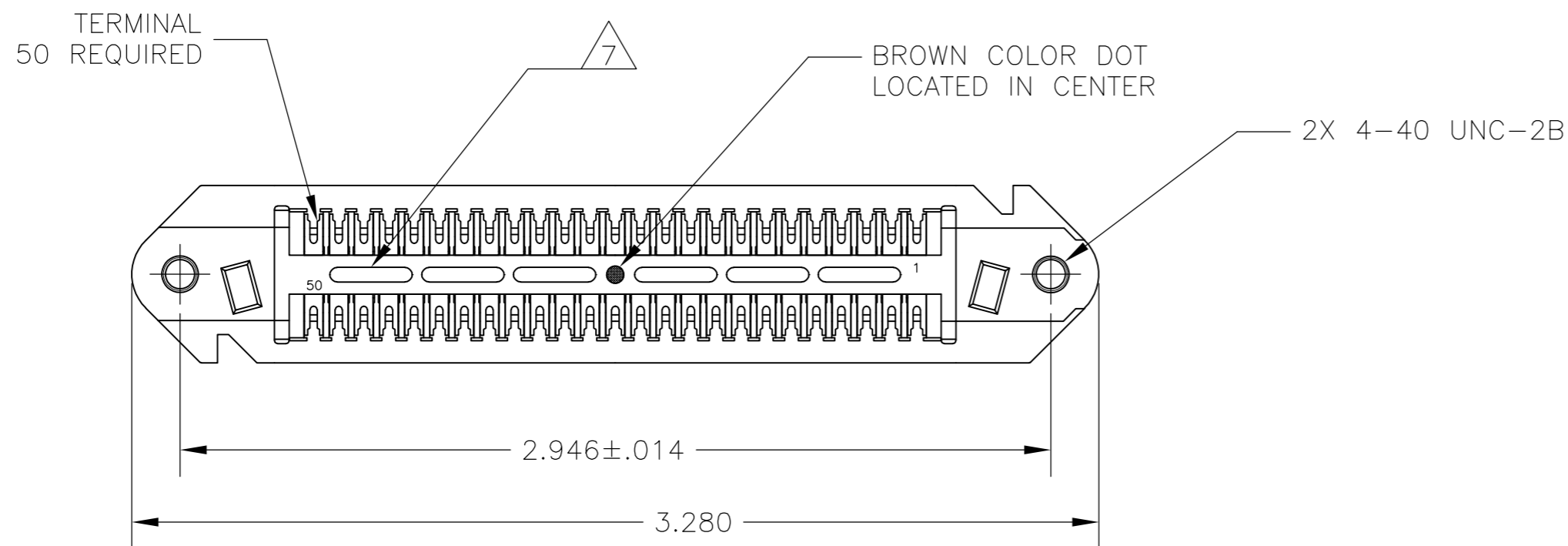
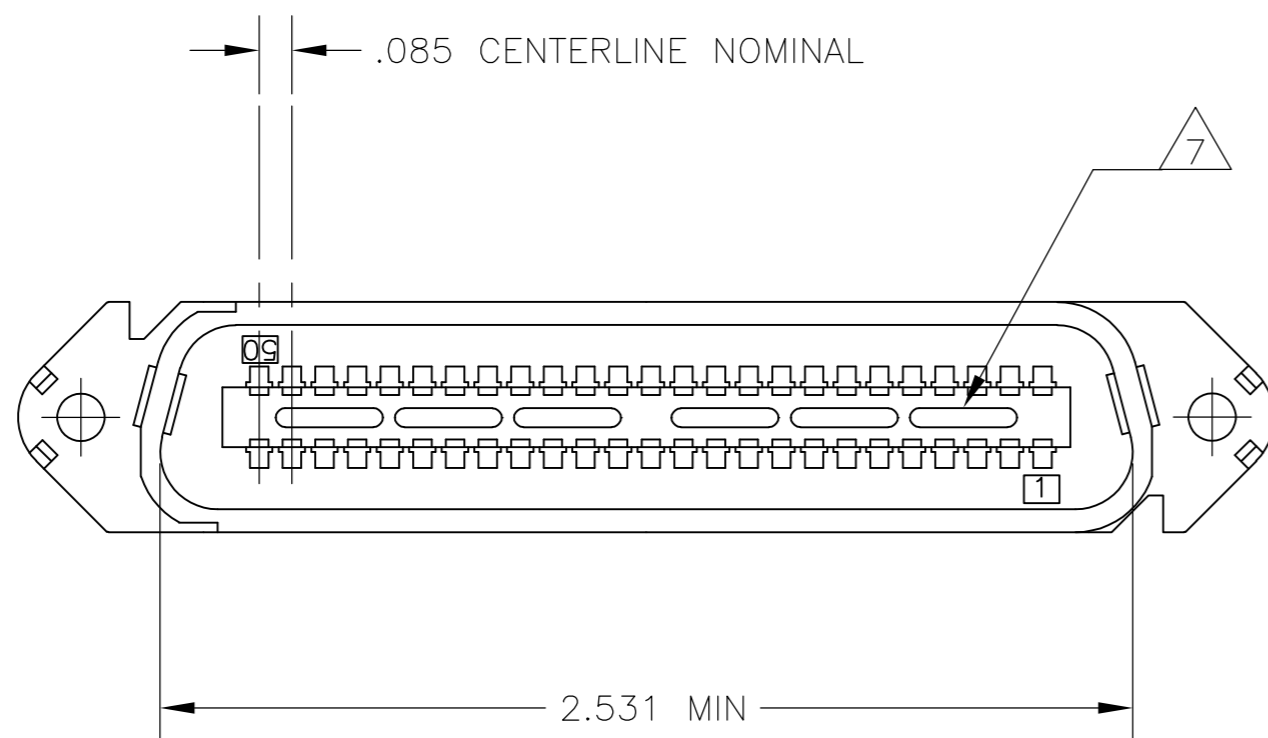
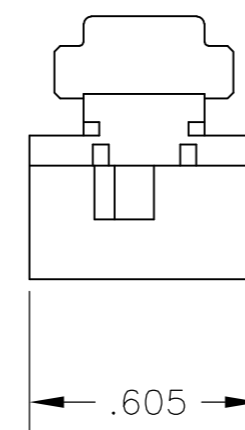
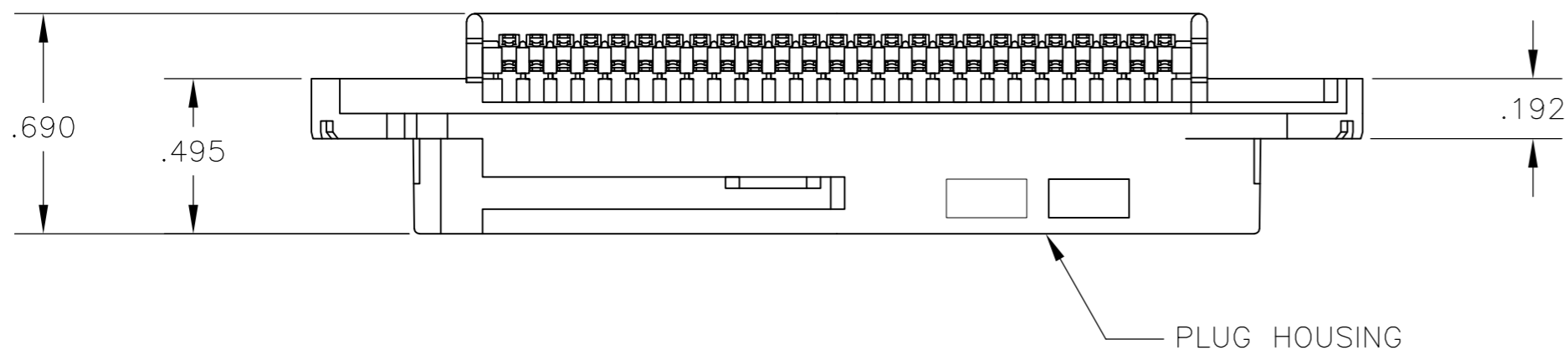


THIS DRAWING IS UNPUBLISHED. RELEASED FOR PUBLICATION
 © COPYRIGHT BY TYCO ELECTRONICS CORPORATION. ALL INTERNATIONAL RIGHTS RESERVED.

| LOC | | DIST | | REVISIONS | | | |
|-----|-----|-------------|--|------------------------------------|-----------|------|-----|
| P | LTR | DESCRIPTION | | DATE | DWN | APVD | |
| GP | 00 | A | | REDRAWN, REVISED PER ECO-09-020146 | 21SEP2009 | CJV | PAR |



1. THE CONTACT SURFACES OF THE TERMINALS ARE COATED WITH LUBRICANT.
2. ALL DIMENSIONS SHOWN ARE MAXIMUM UNLESS OTHERWISE SPECIFIED.
3. MATERIAL: HOUSING - POLYPHENYLENE, BLACK.
TERMINALS - PHOSPHOR BRONZE PLATED WITH EITHER .000030 MIN GOLD OR GOLD FLASH OVER PALLADIUM NICKEL .000030 MIN TOTAL ON MATING SURFACE, ALL OVER .000050 MIN NICKEL UNDERPLATE.
4. WIRE SIZE: 22 AWG SOLID OR STRANDED COPPER CONDUCTORS. INSULATION DIAMETER OF .045-.056 IS ACCEPTABLE FOR MOST APPLICATIONS.
5. SEE PRODUCT SPECIFICATION 108-6005 FOR PERFORMANCE SPECIFICATIONS.
6. 100 ASSEMBLIES SHIPPED BULK PACKAGED.
7. CORING MAY OR MAY NOT APPEAR AND IS AT THE DISCRETION OF TYCO ELECTRONICS.



556039-1
 PART NUMBER

| | | | | |
|---|-------------|----------------------------------|---|--------------------|
| THIS DRAWING IS A CONTROLLED DOCUMENT. | | DWN B.T. HOOTEN 21JUL1988 | Tyco Electronics Corporation Harrisburg, PA 17105-3608 | |
| DIMENSIONS: INCHES | | CHK B. FOX 25JUL1988 | NAME PLUG ASSY, 50 POSN, F SLOT SCR LOCK, CHAMP-LOK | |
| TOLERANCES UNLESS OTHERWISE SPECIFIED: | | APVD J. TRAMMEL 26JUL1988 | SIZE A2 | CAGE CODE 00779 |
| 0 PLC ± - 1 PLC ± - 2 PLC ± - 3 PLC ± - 4 PLC ± - ANGLES ± - | | PRODUCT SPEC APPLICATION SPEC | DRAWING NO C=556039 | RESTRICTED TO - |
| MATERIAL 3 | FINISH 3 | WEIGHT - | SCALE 2:1 | SHEET 1 of 1 |
| CUSTOMER DRAWING | | | REV A | |