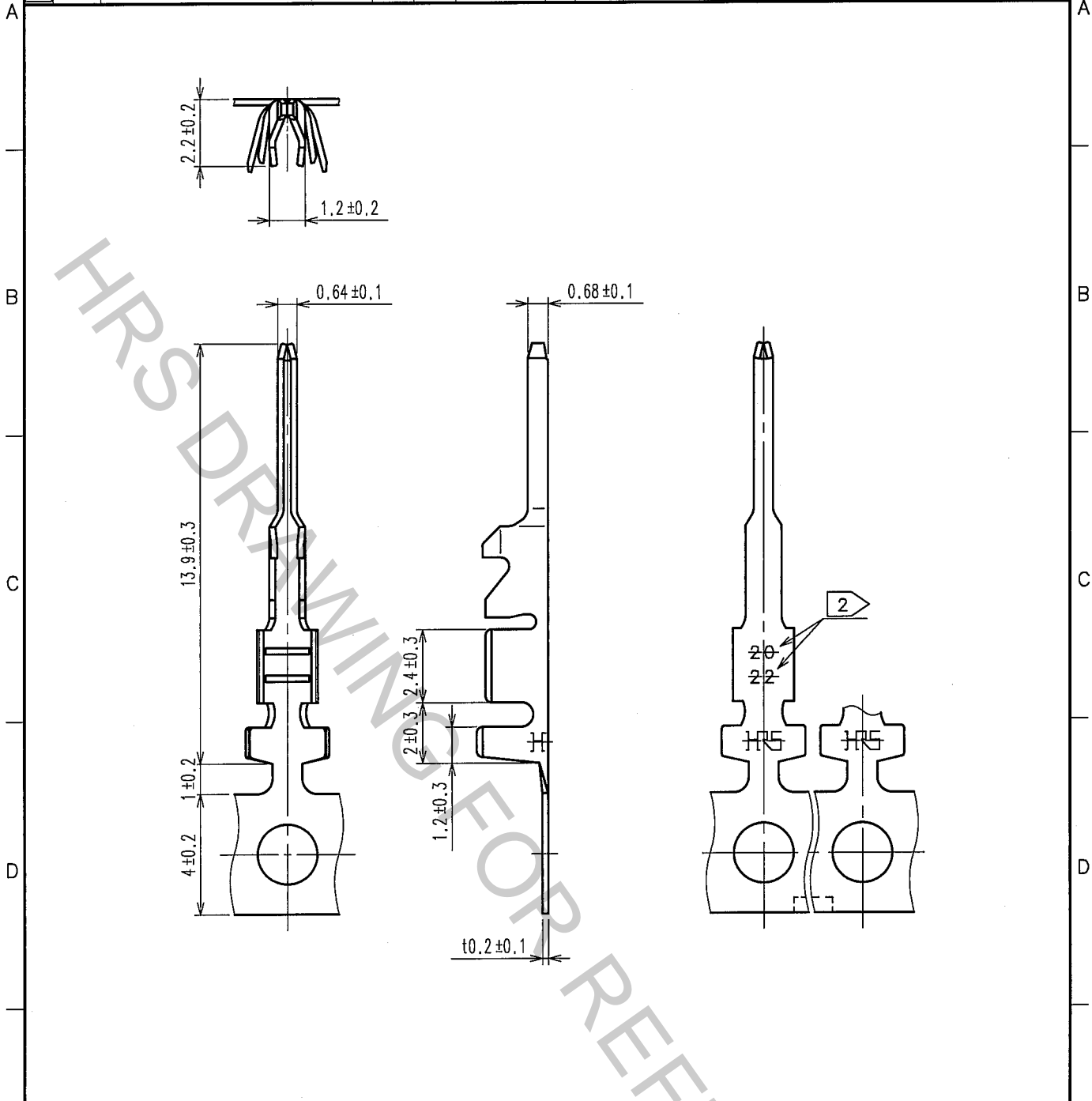


Apr.1.2017 Copyright 2017 HIROSE ELECTRIC CO., LTD. All Rights Reserved.

1					2					3					4				
COUNT	DESCRIPTION OF REVISIONS				BY	CHKD	DATE	COUNT	DESCRIPTION OF REVISIONS				BY	CHKD	DATE				
△								△											
△								△											
△								△											



Note 1 : 10000 Pieces/Reel
 2 : Indicated Applicable Cable Size.

1	Phosphor Bronze	Tin Plating 1μ m min.
NO.	MATERIAL	FINISH, REMARKS

CODE NO. (OLD)		DRAWN	DESIGNED	CHECKED	APPROVED	RELEASED
		T. FUKUSHIMA	T. Fukushima	H. Umezawa	J. Oma	
		07.03.19	07.03.19	07.03.19	07.03.20	

 SCALE 5 : 1	DRAWING NO.	PART NO.
	EDC4-161020-01	DF1E-2022PCF
UNITS mm	HIROSE ELECTRIC CO., LTD.	CODE NO. CL541-0937-8

TO