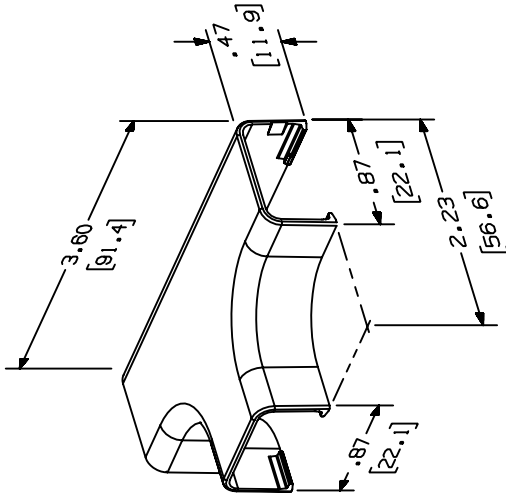


THIS COPY IS PROVIDED ON A RESTRICTED BASIS AND IS NOT TO BE USED IN ANY WAY DETRIMENTAL TO THE INTERESTS OF PANDUIT CORP.

PANDUIT PART NO.	WEIGHT
TFC3	1.8 LB/100 PCS (822 g/100 PCS)

- NOTES:
- SEE CURRENT CATALOG FOR ADDITIONAL PART NUMBER SUFFIXES TO INDICATE COLOR AND OR PACKAGE QUANTITY.
  - THIS PRODUCT IS INTENDED TO BE USED WITH PANDUIT TYPE LD3 AND LDS3 RACEWAY.
  - NOMINAL WALL THICKNESSES: .055(1.4).
  - THIS PRODUCT IS FEATURED WITH THE TIA/EIA COMPLIANT BEND RADIUS.
  - DIMENSIONS IN PARENTHESIS ARE IN METRIC.



CAD FILENAME/LAYERS D35541BM\_TFC3\_C\_02.PRT

PANDUIT  
CORP. TINLEY PARK, ILLINOIS

TEE FITTING COVER (TFC3)  
CUSTOMER DRAWING

REV	DATE	BY	CHK	ECN	CHK	CUST	SUP	DESCRIPTION												
	08-09-96	JBA	CEF	35541-15	CEF	CEF														
1	07-02-02	JHNU	RMH1	35541-15	RGRO	RGRO		A. REVISED MATERIAL IN DRAWING TITLE BLOCK												
2	03-11-04	JHEP	RGRO	35541-15	RGRO	RGRO		B. REMOVED CD3 FROM NOTE 2												
<table border="0" style="width:100%"> <tr> <td style="width:60%">UNLESS OTHERWISE SPECIFIED, DIMENSIONAL TOLERANCES ARE: (.X) ± (.XXX) ±.015 (.4) (.XX) ±.03 (.8) ANGLES ±</td> <td style="width:20%">SCALE NONE</td> <td style="width:20%">UNLESS OTHERWISE SPECIFIED, ALL DIMENSIONS ARE GIVEN IN INCHES, THIRD ANGLE PROJECTION.</td> </tr> <tr> <td>DRAWN BY JBA</td> <td>MAT'L: ABS</td> <td></td> </tr> <tr> <td>DATE 08-09-96</td> <td>CEK BY CEF</td> <td>DWG NO. 35541-15</td> </tr> <tr> <td></td> <td></td> <td>SIZE A</td> </tr> </table>									UNLESS OTHERWISE SPECIFIED, DIMENSIONAL TOLERANCES ARE: (.X) ± (.XXX) ±.015 (.4) (.XX) ±.03 (.8) ANGLES ±	SCALE NONE	UNLESS OTHERWISE SPECIFIED, ALL DIMENSIONS ARE GIVEN IN INCHES, THIRD ANGLE PROJECTION.	DRAWN BY JBA	MAT'L: ABS		DATE 08-09-96	CEK BY CEF	DWG NO. 35541-15			SIZE A
UNLESS OTHERWISE SPECIFIED, DIMENSIONAL TOLERANCES ARE: (.X) ± (.XXX) ±.015 (.4) (.XX) ±.03 (.8) ANGLES ±	SCALE NONE	UNLESS OTHERWISE SPECIFIED, ALL DIMENSIONS ARE GIVEN IN INCHES, THIRD ANGLE PROJECTION.																		
DRAWN BY JBA	MAT'L: ABS																			
DATE 08-09-96	CEK BY CEF	DWG NO. 35541-15																		
		SIZE A																		