

NOTES

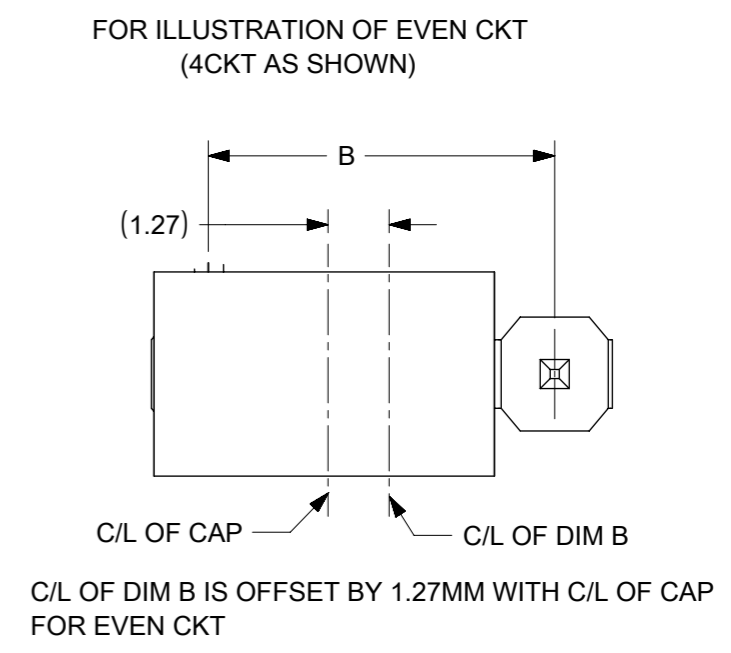
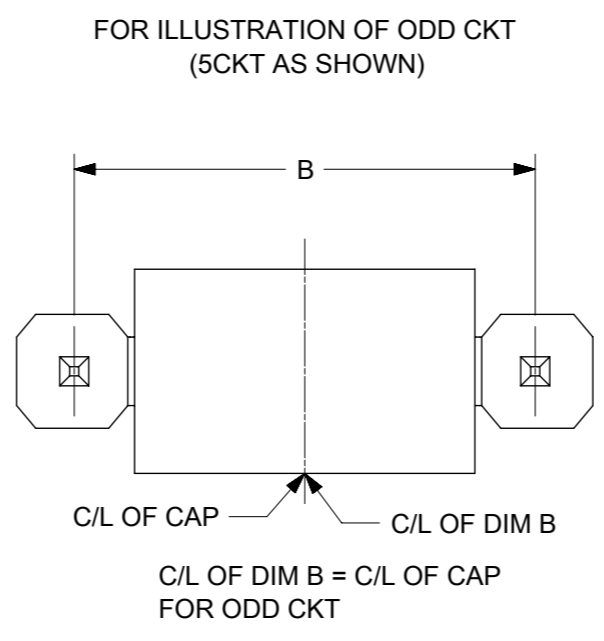
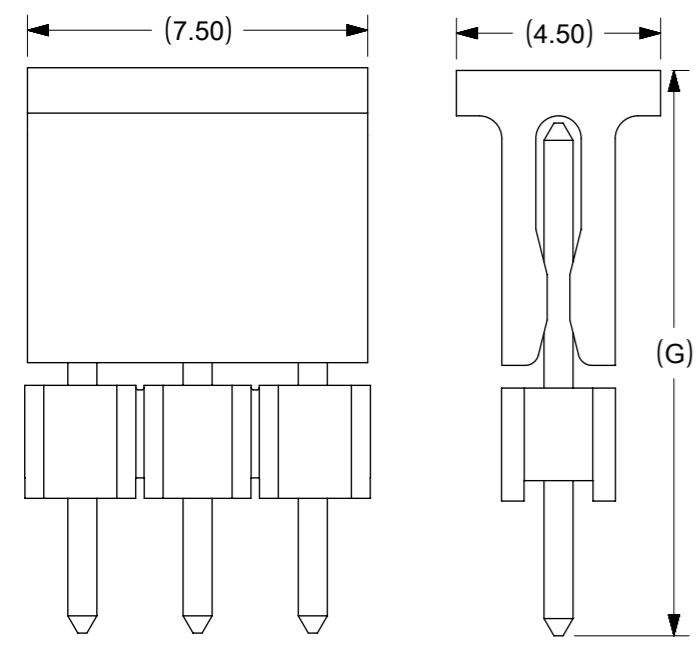
1. MATERIAL:
HSG: NYLON, GLASS-FILLED, UL94V-0 COLOR: BLACK
PIN: 0.64MM SQ, COPPER ALLOY
2. PLATING TYPE:
 - (1) GOLD FLASH OVER
1.25µm MIN. NICKEL OVERALL.
 - (2) GOLD FLASH ON CONTACT AND
2.50µm MIN. TIN ON SOLDER TAIL OVER
1.25µm MIN. NICKEL OVERALL.
 - (3) 0.38µm MIN. GOLD PLATE ON CONTACT AND
2.00µm MIN. TIN ON SOLDER TAIL OVER
1.25µm MIN. NICKEL OVERALL.
 - (4) 0.75µm MIN. GOLD PLATE ON CONTACT AND
2.00µm MIN. TIN ON SOLDER TAIL OVER
1.25µm MIN. NICKEL OVERALL.
 - (5) 2.50µm MIN TIN OVERALL
1.25µm MIN NICKEL OVERALL
3. PRODUCT SPECIFICATION: PS-87920-019
4. PACKAGING TYPE: SEE TABLE
5. WAFER TO BE FLAT WITHIN 0.003 mm/mm
6. RECOMMENDED PCB THICKNESS IS 1.60mm±0.10
7. IRREGULAR CIRCUIT CUTOFF WITHIN BREAKAWAY SECTION IS PERMISSIBLE. CUTTING OR CHIPPING OF THE MAIN BODY IS NOT ACCEPTABLE
8. THE ABOVE CKT 6 IS FOR ILLUSTRATION PURPOSE ONLY
9. PACKAGING SPECIFICATION:
TRAY: PK-89990-489
BULK: PK-89990-491
T&R : PK-87898-400
TUBE: PK-89990-934
10. REFER SHEET 2 FOR CAP LOCATION.

THIS DRAWING CONTAINS INFORMATION THAT IS PROPRIETARY TO MOLEX ELECTRONIC TECHNOLOGIES, LLC AND SHOULD NOT BE USED WITHOUT WRITTEN PERMISSION

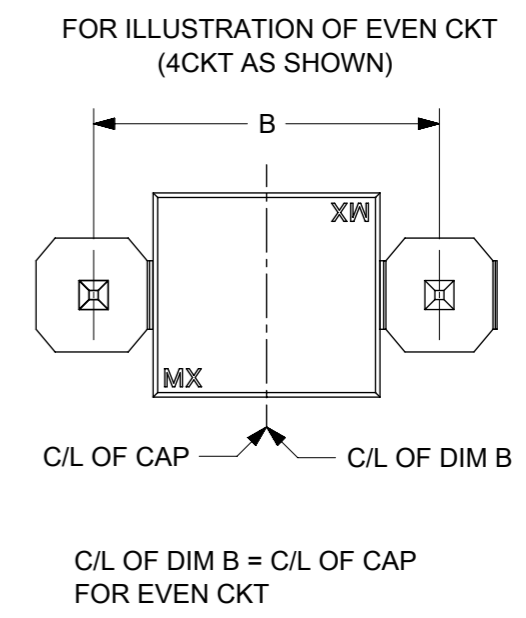
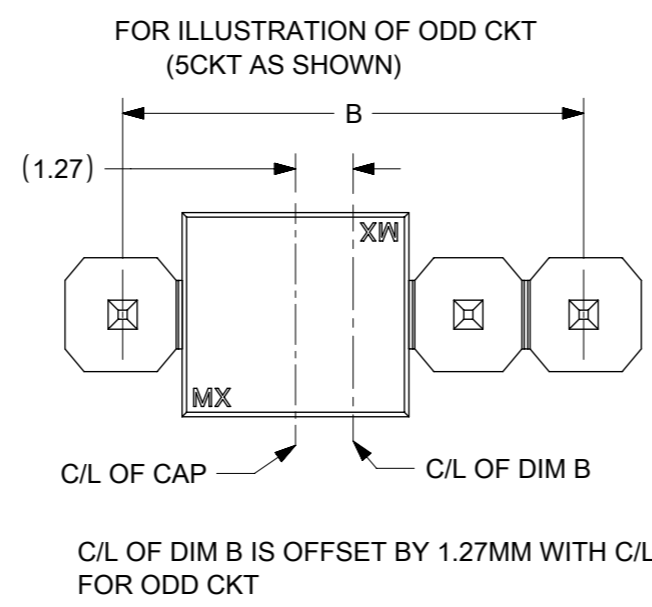
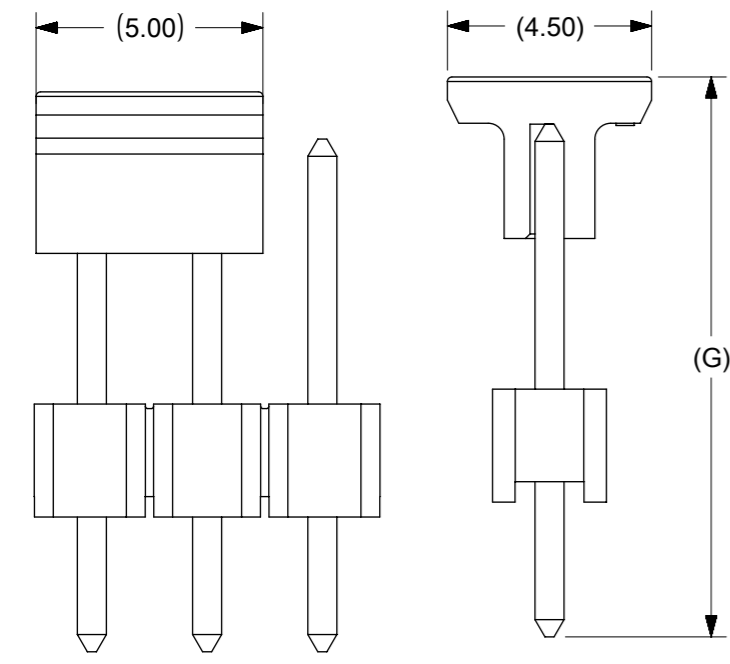
PK SPEC ADDED 0311 EC NO: 113327 DRWN: MRAMAKRISHNA CHK'D: REV APPR: ISHWARG	GENERAL TOLERANCES (UNLESS SPECIFIED)		DIMENSION UNITS		SCALE		molex®			
			MM	INCH	MM	NTS				
	4 PLACES	±	±	DRWN BY	DATE		CUSTOMER DRAWING 2.54MM PITCH, SINGLE ROW SINGLE WAFER, T/H HEADER			
	3 PLACES	±	±	KCHO	2004/03/24					
	2 PLACES	±	0.2	±	CHK'D BY	DATE				
	1 PLACES	±	±	±	PTLIM	2004/04/02		PRODUCT CUSTOMER DRAWING		
0 PLACES	±	±	±	APPR BY	DATE					
	ANGULAR TOL = 3.0		SCLOW	2004/04/08		SERIES	MATERIAL NUMBER	CUSTOMER		
	DRAFT WHERE APPLICABLE MUST REMAIN WITHIN DIMENSIONS		DRAWING SIZE	THIRD ANGLE PROJECTION		87891	SEE TABLE	GENERAL MARKET		
D6			A3			DOCUMENT NUMBER		DOC TYPE	DOC PART	SHEET NUMBER
						SD-87891-001	PSD	000	1 OF 4	

RELEASE STATUS	RELEASE DATE								
----------------	--------------	--	--	--	--	--	--	--	--

CAP INFORMATION- CAP OPTION A



CAP INFORMATION- CAP OPTION B



THIS DRAWING CONTAINS INFORMATION THAT IS PROPRIETARY TO MOLEX ELECTRONIC TECHNOLOGIES, LLC AND SHOULD NOT BE USED WITHOUT WRITTEN PERMISSION


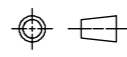
PK SPEC ADDED 0311 EC NO: 113327 DRWN: MRAMAKRISHNA CHK'D: REV APPR: ISHWARG	GENERAL TOLERANCES (UNLESS SPECIFIED)		DIMENSION UNITS	SCALE	<p>CUSTOM HEADER 2.54MM PITCH, SINGLE ROW SINGLE WAFER, T/H HEADER</p> <p>PRODUCT CUSTOMER DRAWING</p>			
			MM	NTS				
	4 PLACES	±	MM	INCH		DRWN BY: KCHO	DATE: 2004/03/24	
	3 PLACES	±				CHK'D BY:	DATE:	
	2 PLACES	± 0.2				PTLIM	2004/04/02	
	1 PLACES	±				APPR BY:	DATE:	
0 PLACES	±			SCLOW	2004/04/08			
		ANGULAR TOL = 3.0	DRAWING SIZE: A3	THIRD ANGLE PROJECTION	SERIES: 87891	MATERIAL NUMBER: SEE TABLE	CUSTOMER: GENERAL MARKET	
		DRAFT WHERE APPLICABLE MUST REMAIN WITHIN DIMENSIONS			DOCUMENT NUMBER: SD-87891-001	DOC TYPE: PSD	DOC PART: 000	SHEET NUMBER: 2 OF 4

RELEASE STATUS	RELEASE DATE
----------------	--------------

CKT SIZE	DIMENSION	
	A	B
02	5.08	2.54
03	7.62	5.08
04	10.16	7.62
05	12.70	10.16
06	15.24	12.70
07	17.78	15.24
08	20.32	17.78
09	22.86	20.32
10	25.40	22.86
11	27.94	25.40
12	30.48	27.94
13	33.02	30.48
14	35.56	33.02
15	38.10	35.56
16	40.64	38.10
17	43.18	40.64
18	45.72	43.18
19	48.26	45.72
20	50.80	48.26
21	53.34	50.80
22	55.88	53.34
23	58.42	55.88
24	60.96	58.42
25	63.50	60.96
26	66.04	63.50
27	68.58	66.04
28	71.12	68.58
29	73.66	71.12
30	76.20	73.66
31	78.74	76.20
32	81.28	78.74
33	83.82	81.28
34	86.36	83.82
35	88.90	86.36
36	91.44	88.90
37	93.98	91.44
38	96.52	93.98
39	99.06	96.52
40	101.60	99.06

ASSY W/CAP IN T&R	PART NO. IN TRAY PACKAGING	PART NO. IN BULK PACKAGING	CKT SIZE	VOID PIN	KINK PIN	(G)	DIMENSION			PLATING TYPE	CAP OPTION	REMARKS
							OAL	MATING END	SOLDIER TAIL			
							(F)	M	P			
-	87891-0108	-	01	-	-	-	10.80	5.08	3.23	5	-	
-	87891-0209	-	02	-	-	-	10.80	5.08	3.23	5	-	
-	87891-0210	-	02	-	-	-	31.00	25.54	2.97	5	-	
-	87891-0307	-	03	-	-	-	22.73	18.74	1.50	5	-	
87891-0311	-	-	03	-	-	12.34	11.30	5.84	2.97	5	B	REFER RPK-87891-0311 (FOR 87891-0311)
-	87891-0402	-	04	2	-	-	10.80	5.89	2.41	5	-	
-	-	-	-	-	-	-	-	-	-	-	-	
-	87891-0408	-	04	-	-	-	31.00	25.54	2.97	5	-	
87891-0417	-	-	04	-	-	16.31	15.11	9.01	3.61	5	A	
-	87891-0501	-	05	-	-	-	13.62	8.08	3.05	5	-	
-	87891-0502	-	05	2	-	-	10.80	5.89	2.41	5	-	
-	87891-0503	-	05	2	-	-	45.00	13.51	29.00	5	-	
-	87891-0504	-	05	2	-	-	45.00	13.51	29.00	3	-	
-	87891-0507	-	05	4	-	-	10.92	5.84	2.59	3	-	
-	-	87891-0508	05	2,4	-	-	11.38	5.84	3.05	5	-	
-	87891-0522	-	05	2&4	-	-	19.49	13.00	4.00	5	-	
-	87891-0517	-	05	-	-	-	23.62	17.32	3.81	5	-	
-	87891-0607	-	06	-	-	-	13.75	8.08	3.18	5	-	
-	87891-0608	-	06	-	-	-	18.03	13.54	2.00	5	-	
-	87891-0609	-	06	-	-	-	28.30	22.16	3.65	5	-	

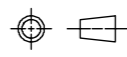
THIS DRAWING CONTAINS INFORMATION THAT IS PROPRIETARY TO MOLEX ELECTRONIC TECHNOLOGIES, LLC AND SHOULD NOT BE USED WITHOUT WRITTEN PERMISSION

PK SPEC ADDED 0311 EC NO: 113327 DRWN: MRAMAKRISHNA CHK'D: APPR: ISHWARG	GENERAL TOLERANCES (UNLESS SPECIFIED)		DIMENSION UNITS		SCALE		 CUSTOM HEADER 2.54MM PITCH, SINGLE ROW SINGLE WAFER, T/H HEADER PRODUCT CUSTOMER DRAWING	
			MM	INCH	MM	NTS		
	4 PLACES	±	±	DRWN BY		DATE		
	3 PLACES	±	±	KCHO		2004/03/24		
	2 PLACES	± 0.2	±	CHK'D BY		DATE		
	1 PLACES	±	±	PTLIM		2004/04/02		
0 PLACES	±	±	APPR BY		DATE			
ANGULAR TOL = 3.0		SCLOW		2004/04/08		SERIES: 87891 MATERIAL NUMBER: SEE TABLE CUSTOMER: GENERAL MARKET		
DRAFT WHERE APPLICABLE MUST REMAIN WITHIN DIMENSIONS		DRAWING SIZE		THIRD ANGLE PROJECTION				
		A3						
RELEASE STATUS	RELEASE DATE	D6		SD-87891-001		DOC TYPE: PSD	DOC PART: 000	SHEET NUMBER: 3 OF 4

9 8 7 6 5 4 3 2 1

ASSY WITHOUT CAP IN TUBE	ASSY W/CAP IN T&R	PART NO. IN TRAY PACKAGING	PART NO. IN BULK PACKAGING	CKT SIZE	VOID PIN	KINK PIN	(G)	DIMENSION			PLATING TYPE	CAP OPTION
								OAL	MATING END	SOLDIER TAIL		
								(F)	M	P		
	-	87891-0602	-	06	-	-	-	12.80	8.00	2.31	5	-
	-	87891-0751	-	07	-	-	-	13.74	8.00	3.25	5	-
	-	87891-0851	-	08	-	-	-	13.74	8.00	3.25	5	-
	-	-	87891-2601	26	4,7,17	-	-	11.13	5.59	3.05	3	-
	87891-1817	-	-	18	-	-	18.36	17.20	13.21	1.50	5	A
	87891-1818	-	-	18	-	-	18.36	17.20	13.21	1.50	3	A
	87891-2817	-	-	28	-	-	18.36	17.20	13.21	1.50	5	A
	87891-2818	-	-	28	-	-	18.36	17.20	13.21	1.50	3	A
87891-4007	-	-	-	40	-	-	-	12.14	5.84	3.81	3	-

THIS DRAWING CONTAINS INFORMATION THAT IS PROPRIETARY TO MOLEX ELECTRONIC TECHNOLOGIES, LLC AND SHOULD NOT BE USED WITHOUT WRITTEN PERMISSION

PK SPEC ADDED 0311 EC NO: 113327 DRWN: MRAMAKRISHNA CHK'D: REV APPR: ISHWARG	GENERAL TOLERANCES (UNLESS SPECIFIED)		DIMENSION UNITS		SCALE		molex®		
			MM	INCH	MM	NTS			
	4 PLACES	±	±	DRWN BY	DATE		CUSTOM HEADER 2.54MM PITCH, SINGLE ROW SINGLE WAFER, T/H HEADER		
	3 PLACES	±	±	KCHO	2004/03/24				
	2 PLACES	±	0.2	±	CHK'D BY	DATE			
	1 PLACES	±	±	±	PTLIM	2004/04/02		PRODUCT CUSTOMER DRAWING	
0 PLACES	±	±	±	APPR BY	DATE				
ANGULAR TOL = 3.0			SCLOW	2004/04/08		SERIES	MATERIAL NUMBER	CUSTOMER	
DRAFT WHERE APPLICABLE MUST REMAIN WITHIN DIMENSIONS			DRAWING SIZE	THIRD ANGLE PROJECTION		87891	SEE TABLE	GENERAL MARKET	
D6	A3				DOCUMENT NUMBER		DOC TYPE	DOC PART	SHEET NUMBER
RELEASE STATUS		RELEASE DATE		SD-87891-001		PSD	000	4 OF 4	

9 8 7 6 5 4 3 2 1

FORMA: Met-lega-master-tp-prod-A3
REVISION: C
DATE: 2016/02/04