

NOTES:

1.0 MATERIALS:

- 1.1 HOUSING & NUT: STAINLESS STEEL PER ASTM-A582, TYPE 303.
- 1.2 CENTER CONTACT: BERYLLIUM COPPER ROD ALLOY C172, PER ASTM-B196.
- 1.3 DIELECTRIC: PTFE FLUOROCARBON PER ASTM-D1457.

2.0 PLATING:

- 2.1 HOUSING & NUT: PASSIVATED PER MIL-F-14072 AND QQ-P-35
- 2.2 CENTER CONTACT: GOLD PER MIL-G-45204, TYPE II, CLASS 2.

3.0 MECHANICAL:

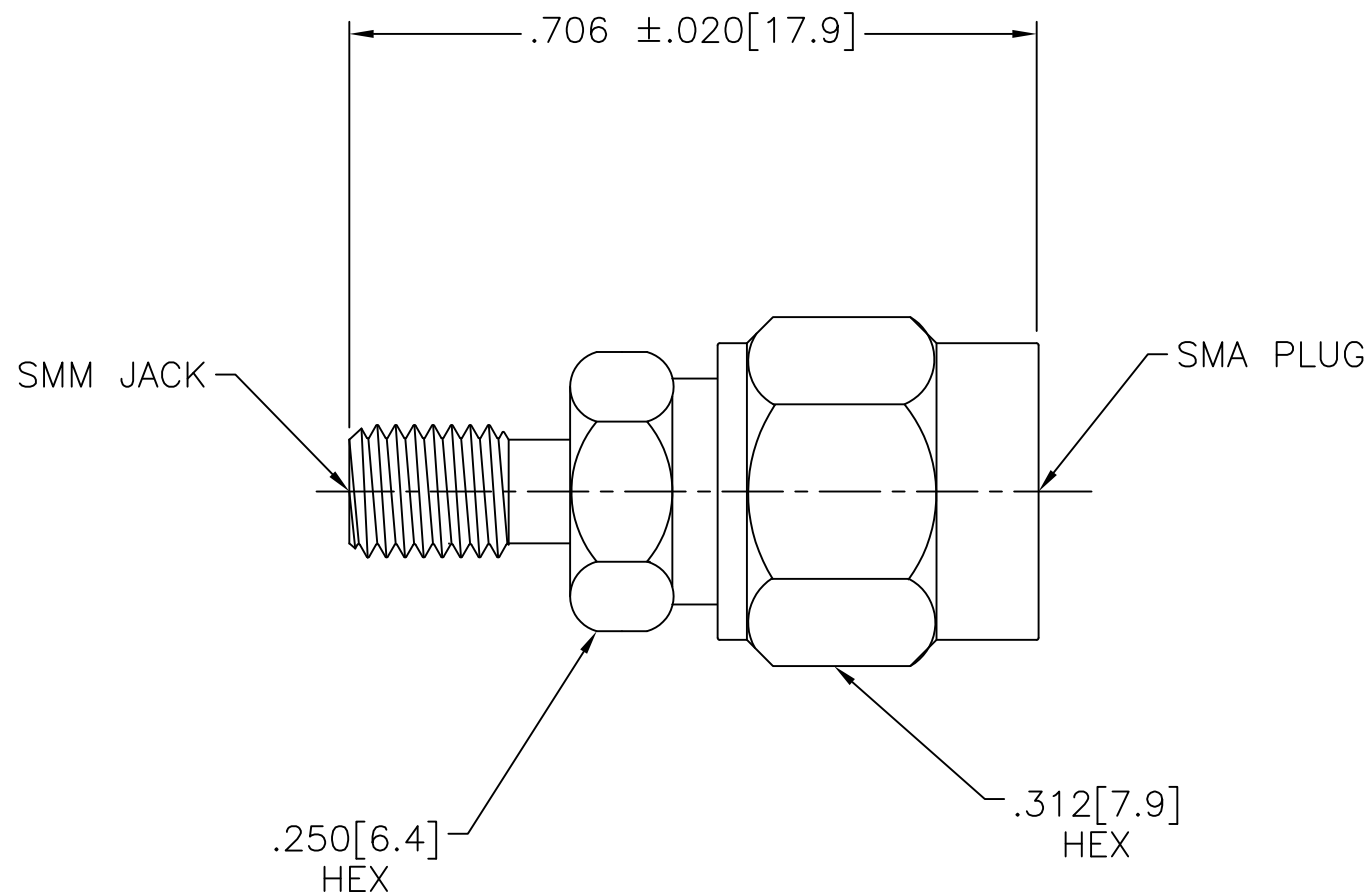
- 3.1 INTERFACE DIMENSIONS PER MIL-STD-348 FIGS 310-1 AND SMM JACK
- 3.2 CENTER CONTACT CAPTURED IN ACCORDANCE MIL-A-55339

4.0 DIMENSIONS IN BRACKETS ARE MILLIMETERS.

5.0 MAX V.S.W.R.:

- DC to 12.4 GHz: 1.06+.009f(GHz)
- 12.4 to 25.0 GHz: 1.05+.01f(GHz)

ALL OTHER MECHANICAL, ELECTRICAL, AND ENVIRONMENTAL CHARACTERISTICS ARE IN ACCORDANCE WITH MIL-A-55339



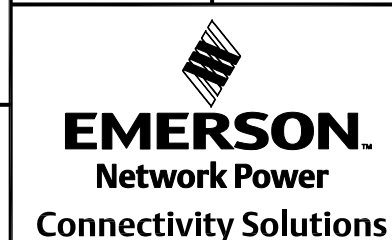
DATE	3/24/95
DESCRIPTION	RELEASED
REV.	-1
ADDED	TITLEBLOCK
	3/17/05

NOTICE: The information contained in this drawing is proprietary and must not be used without the permission of Emerson Network Power.

UNLESS OTHERWISE NOTED DIMENSIONS ARE IN INCHES AND TOLERANCES ARE:  
 3 PLACE DECIMALS ±.005  
 2 PLACE DECIMALS ±.02  
 FRACTIONS ±1/64  
 PARALLELITY: T.I.R. \_\_\_\_\_  
 FLATNESS: T.I.R. \_\_\_\_\_  
 CONCENTRICITY: T.I.R. \_\_\_\_\_  
 ANGLES AND PERPENDICULARITY: ±1°

CAGE CODE  
34078

MIDWEST MICROWAVE



TITLE  
ADAPTER  
SMM JACK TO SMA PLUG  
OUTLINE DRAWING

DRAWN/DATE  
A.BEATTY  
3/21/95

ENG./DATE  
A.OSGA  
3/24/95

CHECKED/DATE  
P.GOODMAN  
3/23/95

APPROVED/DATE

DRAWING NUMBER  
ADT-2846-SM-MMF-02-01

REV. -1

SCALE: 5=1 SHEET 1 of 1