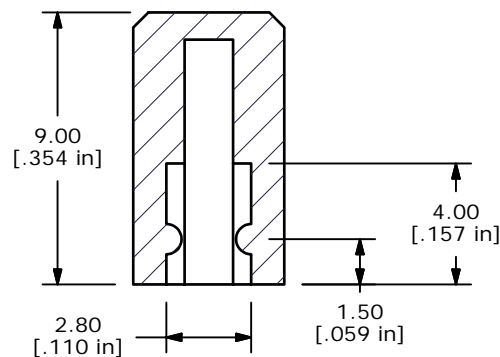
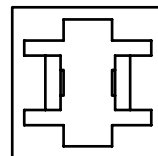


ISOMETRIC



SECTION A-A
SCALE 4 : 1



NOTES:

1. ALL DIMENSIONS IN MM [INCH]
2. GENERAL TOLERANCE: X.XX=± 0.15
- ▲3. MATERIAL: ABS, UL94V0
- ▲4. COLOR: GRAY, PANTONE COOL GRAY 11C
5. ▲ DENOTES CRITICAL PARAMETER.

E-SWITCH®

TITLE 1SDGR

A	15376	RELEASED FOR PRODUCTION	10/12/05	PH
REV	PCR NO	DESCRIPTION	DATE	BY

THE INFORMATION CONTAINED IN THIS DOCUMENT IS PROPRIETARY TO E-SWITCH AND IS NOT TO BE COPIED OR TRANSFERRED

SCALE 4:1	DATE 10/12/2005	DR PH	DWG Q800313	REV A
-----------	-----------------	-------	-------------	-------